

Table of Contents

2008 Sightseer/Sunova D35J Wiring Diagram Book

110 Volt Load Center/Auto Transfer Switch
Antenna Installation, Radio and CB
Auto Lamps Wiring Diagram
Automotive Wiring Diagram
Backup Monitor Installation
Battery Installation
Body, 110 Volt Wiring Diagram
Body, 110 Volt Wiring Installation
Body, 12 Volt Wiring Diagram
Body, 12 Volt Wiring Installation
Chassis Electrical Box Assembly
Chassis Wiring Installation
Dash Radio Installation
Exterior Lamps Wiring Installation
Front End Wiring Installation
Holding Tank Monitor Panel
Holding Tanks Wiring Diagram
TV Coax Wiring Diagram
TV/DVD, Side Wiring Installation

Complete Wiring Diagram Book (701674-77-022)





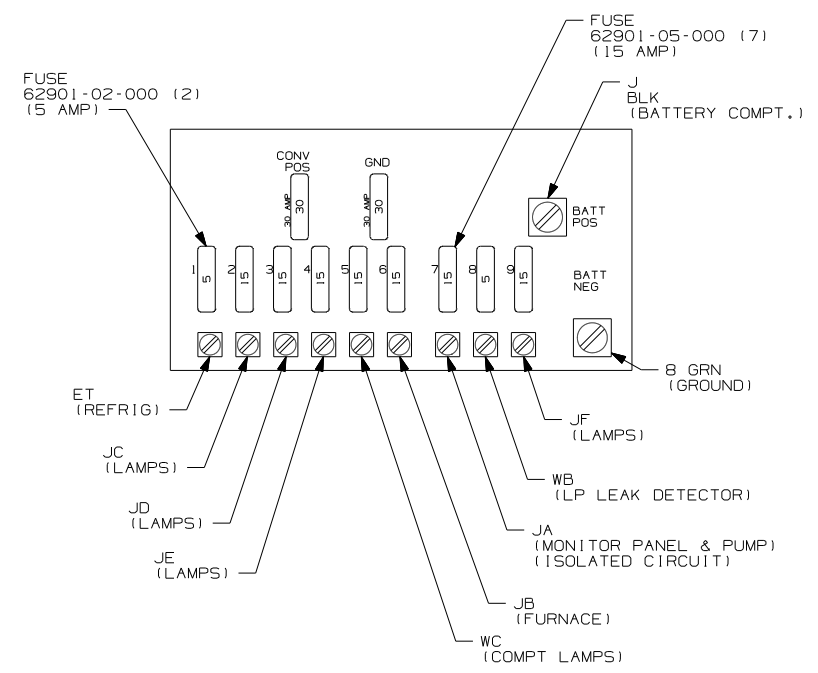
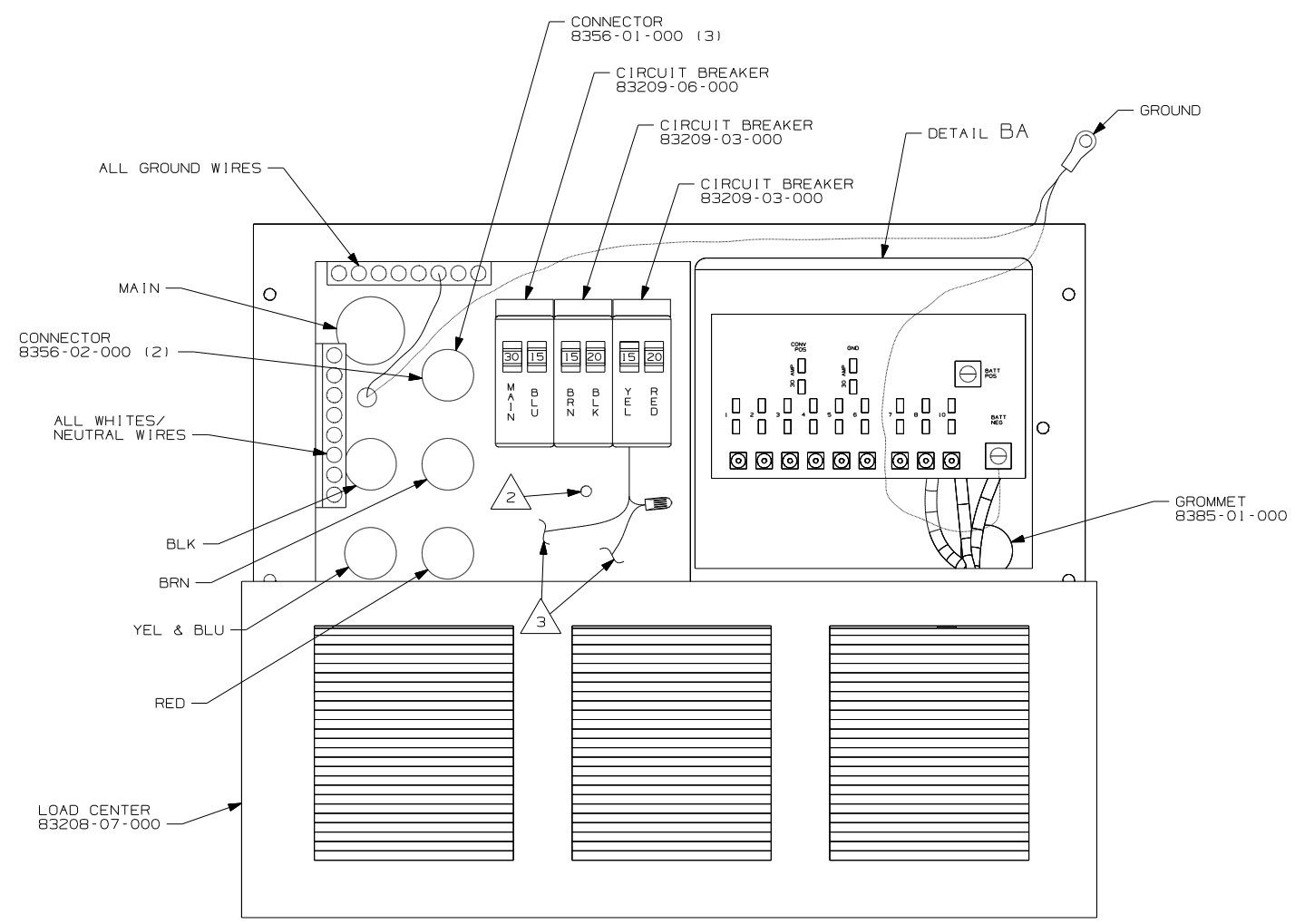
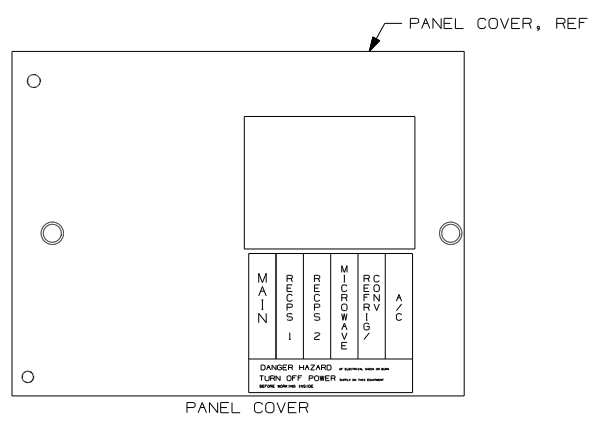
DANGER

Danger of electrical shock, burns or death. Always remove all power sources before attempting any repair, service or diagnostic work. Power can be present from shore power, generator, inverter or battery. All power sources must be disabled and secured before performing any service.



CAUTION

If you lack the skills, tools or equipment to perform diagnostic or repair work leave such work to an authorized Winnebago Industries dealer or other qualified shop.



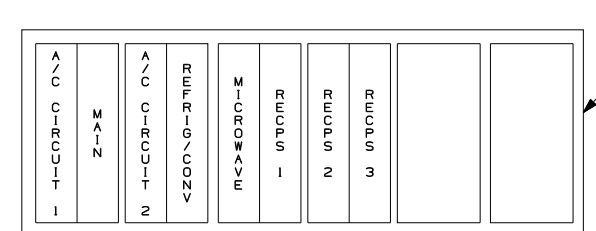
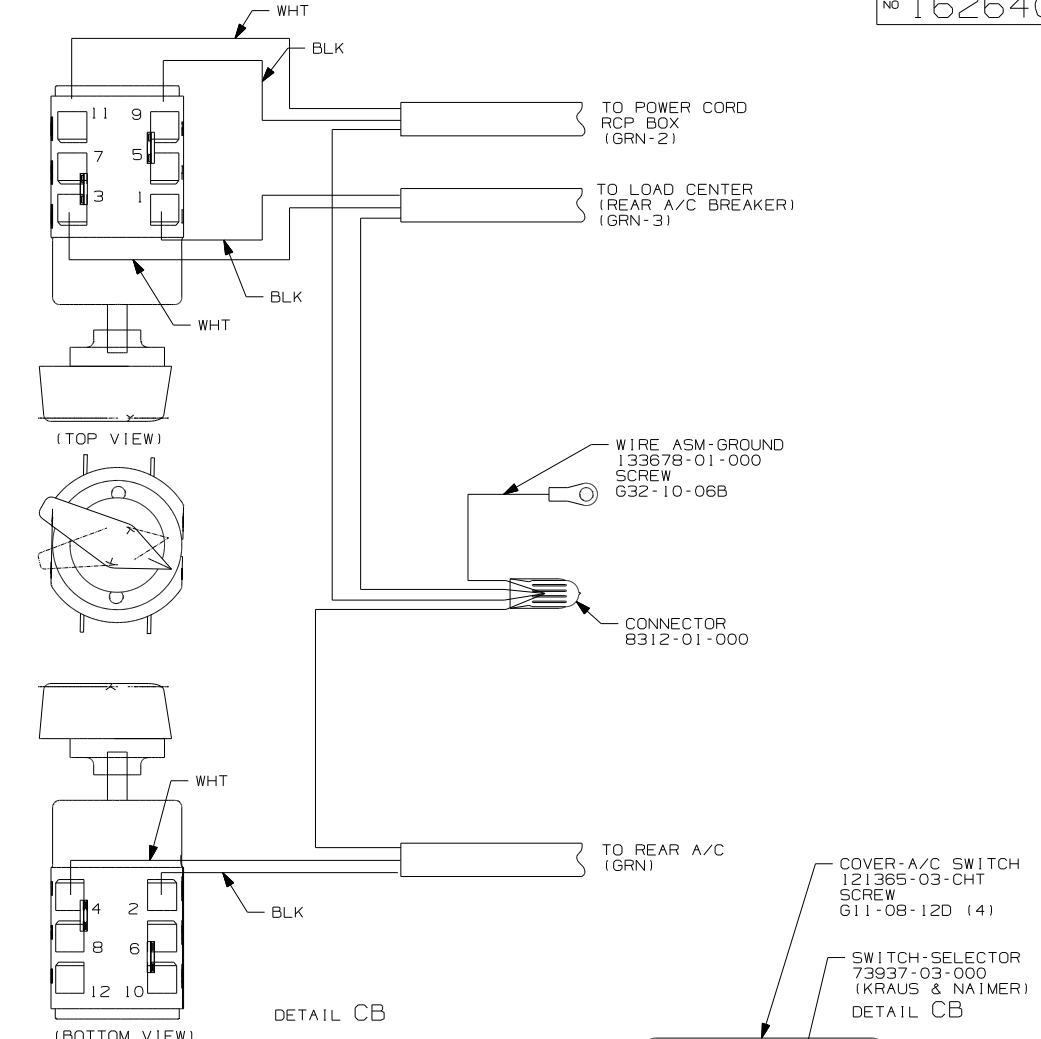
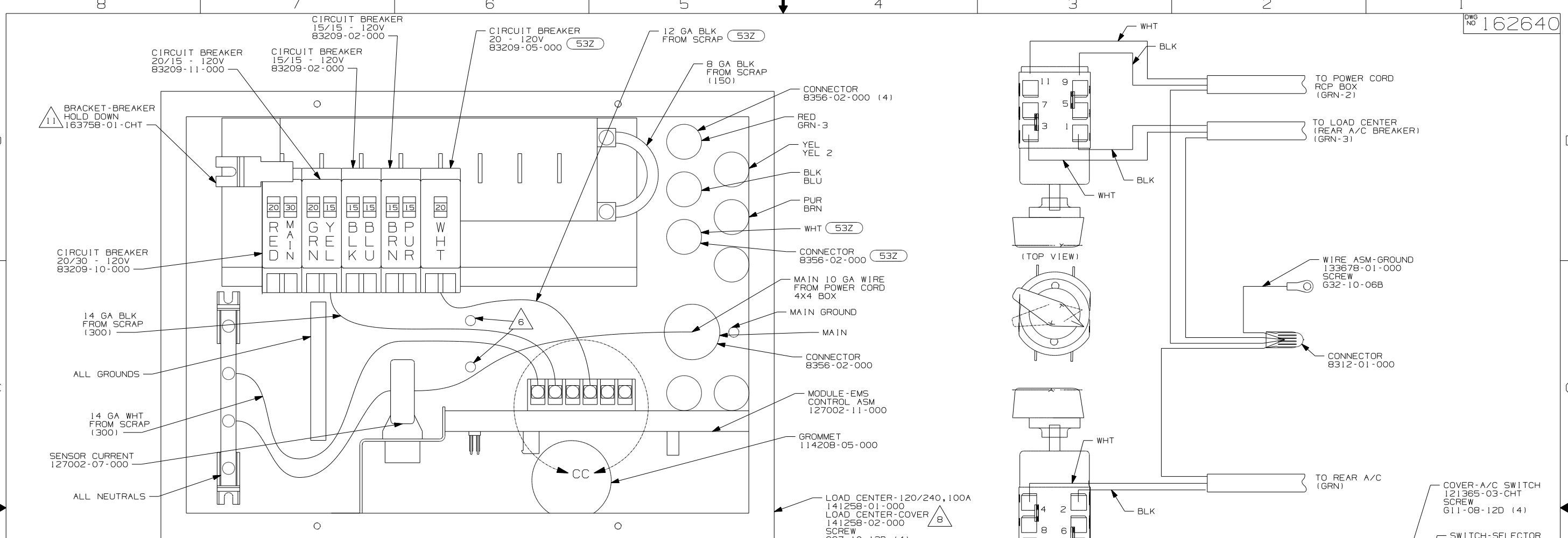
- NOTES:
- 3 CONNECT CONVERTER POWER CIRCUIT INTO YELLOW BREAKER AND USE SUPPLIED WIRE NUT TO CONNECT YELLOW CIRCUIT.
 - 2 SECURE WIRES TO BACKSIDE OF LOAD CENTER WITH WIRE TIE 116673-01-000.
 - 1. ALL GROUNDS WIRES TO BE COVERED WITH TUBING 8041-02-000.

- 29J AC HEAT PUMP - 1
- 250 A/C ROOF AIR (1) 14,800 BTU
- 12D ELECTRICAL SYSTEM 30 AMP
- 265 CODES/STANDARDS-CSA/CMVSS
- 1B1 CODES/STANDARDS USA

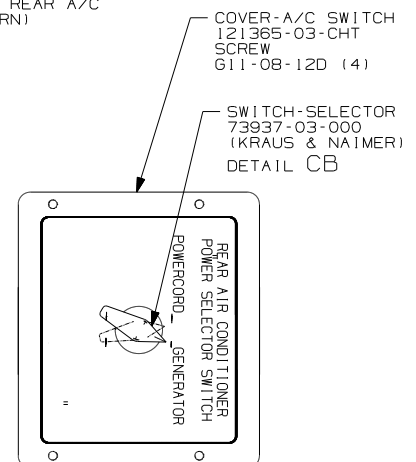
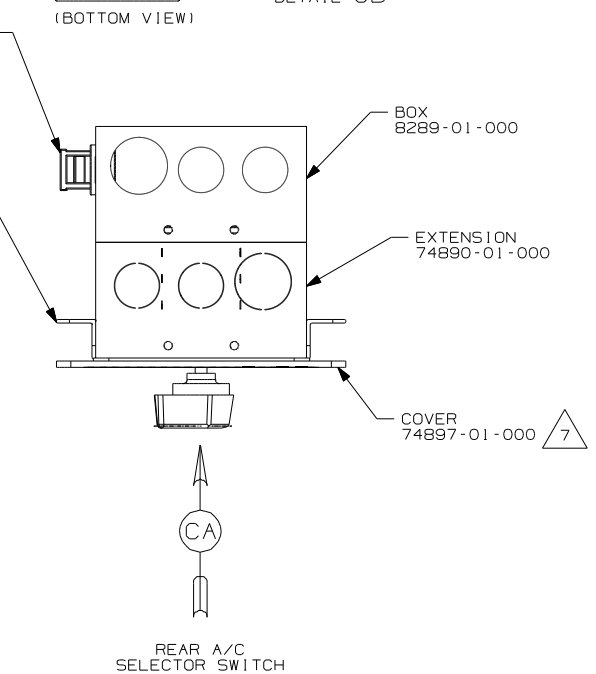
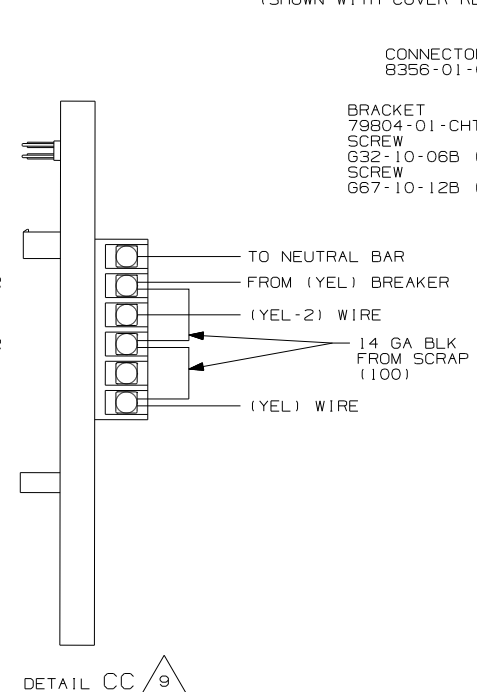
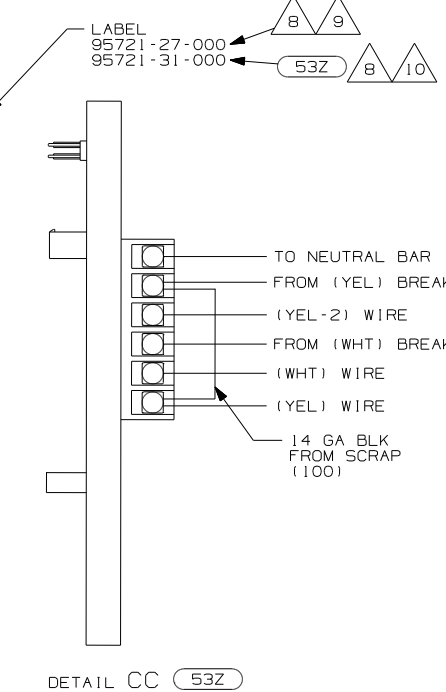
FOR ELECTRICAL TORQUE SPECIFICATIONS SEE DWG NO. 128783-01-000

FOR ELECTRICAL CALLOUTS SEE DWG NO. 121339-01-000

FIRST USED	
08 D-SERIES	
DO NOT SCALE DRAWING	
TITLE: LOAD CENTER/ATS ASM	
SHEET 2	PART NO 162640 REV



INSTALL LABEL ON FRONT COVER PLATE BELOW THE BREAKERS



- 10 BLACKEN OUT 'WASHER DRYER' WITH BLACK MARKER.
- 9 WITHOUT 53Z
- 8 INSTALLED BY ASSEMBLY LINE.
- 7 FASTEN SWITCH TO COVER BEFORE FASTENING COVER TO BOX.
- 6 ATTACH WIRES TO BACKSIDE OF LOAD CENTER, USE EXISTING HOLES AND TIE-WIRE 116673-01-000.
- 5. REMOVE 400MM FROM OUTER JACKET ON ALL WIRES ENTERING LOAD CENTER AND TRIM INDIVIDUAL CONDUCTORS AS REQUIRED TO MAKE INTERNAL CONNECTIONS
- 4. ALL 110V STRANDED WIRE W/O TERMINALS TO BE STRIPPED 10MM AND SOLDER DIPPED.
- 3. ALL WIRES TO BE CLAMPED WITHIN 200MM OF ATS.
- 2. GROUND WIRES ARE NOT SHOWN FOR CLARITY.
- 1. ALL GROUND WIRES TO BE COVERED WITH TUBING 8041-02-000.

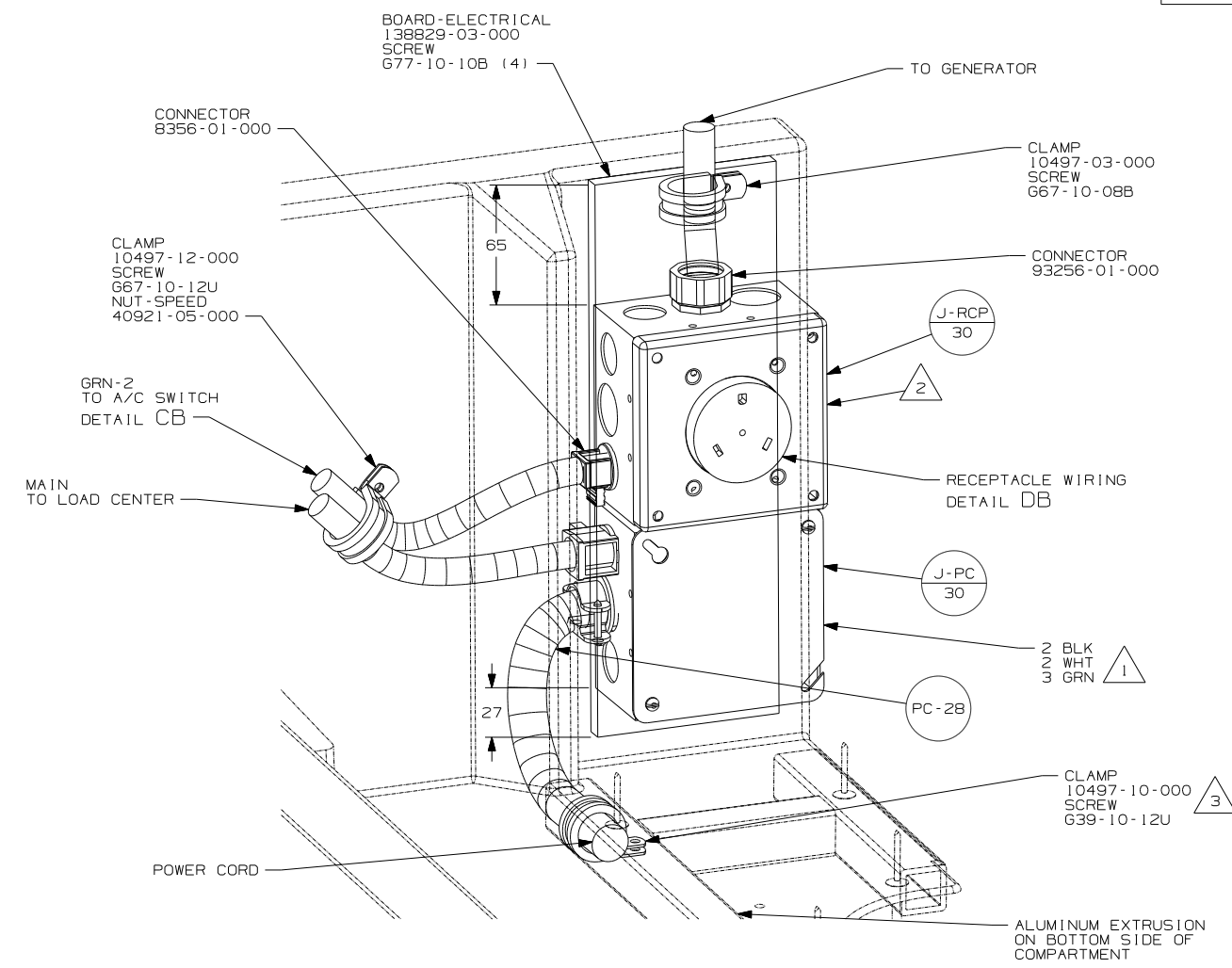
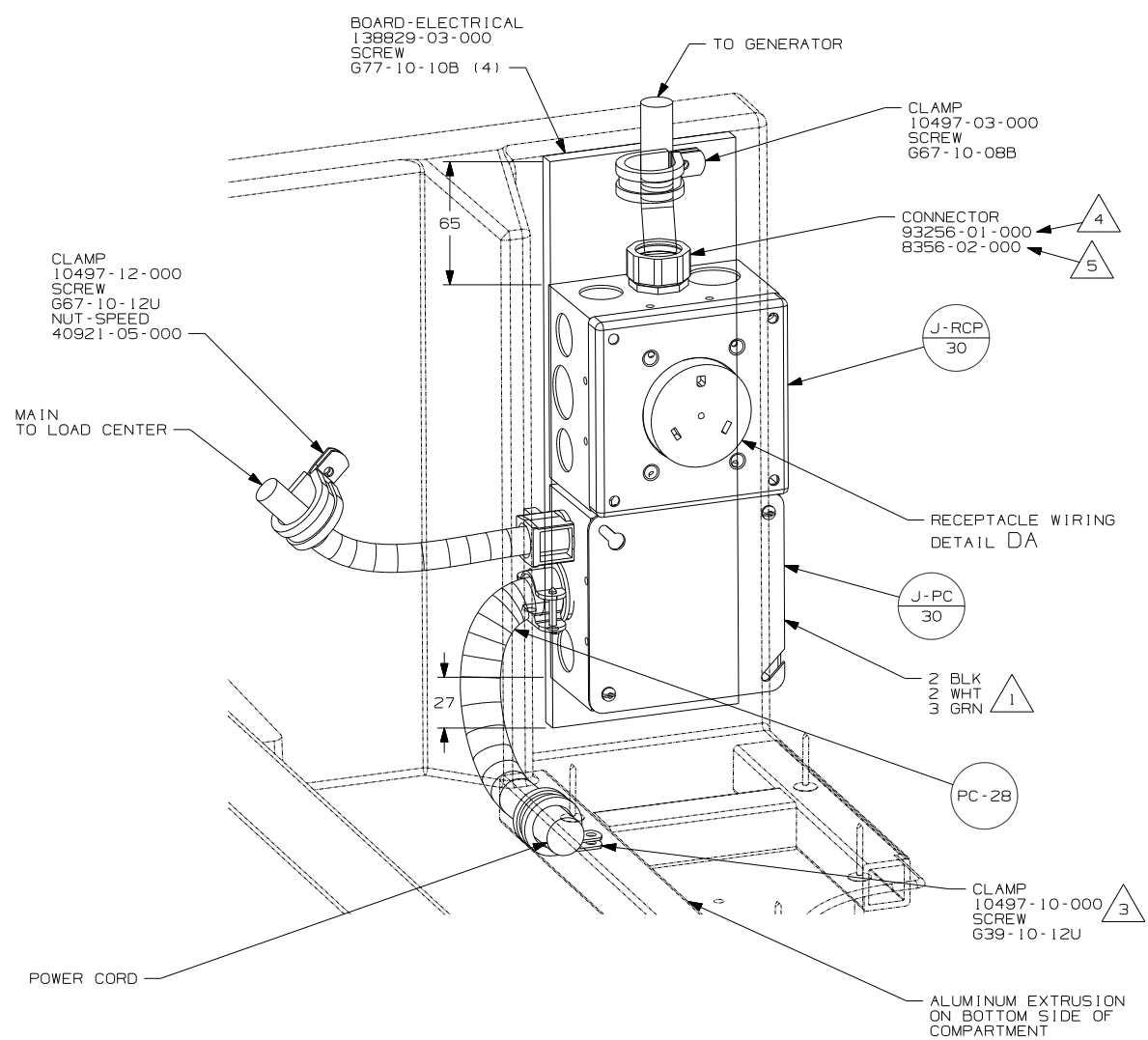
11 LOOSEN LEFT BUSS BAR MOUNTING SCREW, INSERT BRACKET-BREAKER HOLD DOWN UNDER SCREW, ORIENTATE BRACKET TOWARD MAIN BREAKER AS SHOWN AND TIGHTEN SCREW.

FOR ELECTRICAL TORQUE SPECIFICATIONS SEE DWG NO. 128783-01-000

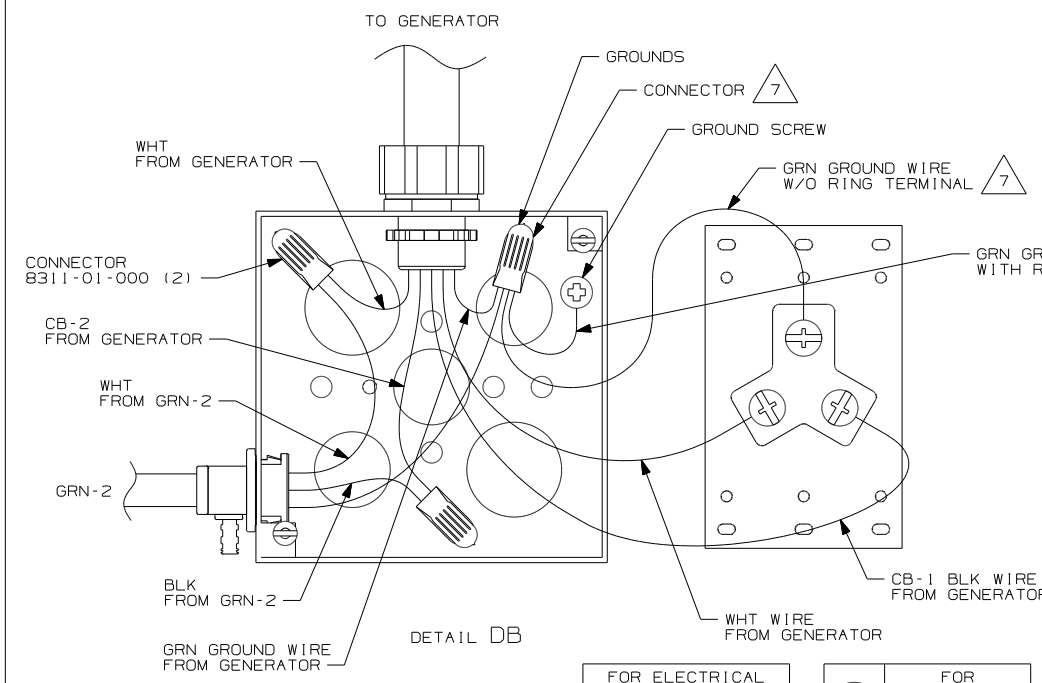
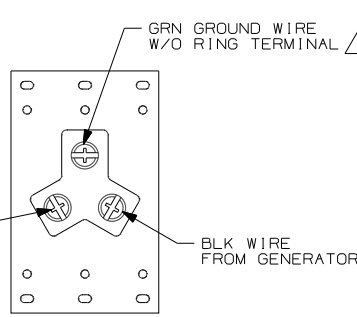
FOR ELECTRICAL CALLOUTS SEE DWG NO. 121339-01-000

- 53Z WTR HTR-6GAL/110/LP/MTR/AUTO
- 29R AC HEAT PUMP-2 HI EFFICIENCY
- 276 A/C ROOF-HI EFF (2) W/EMS
- 12D ELECTRICAL SYSTEM 30 AMP
- 265 CODES/STANDARDS-CSA/CMVSS
- 1B1 CODES/STANDARDS USA

FIRST USED	08 D-SERIES	
DO NOT SCALE DRAWING		
TITLE:	LOAD CENTER/ATS ASM	
SHEET 3	PART NO	162640
REV		



- NOTES:
- 7 PART OF J-RCP CALLOUT.
 - 6 CONNECT RECEPTACLE GROUND, BOX GROUND, AND GENERATOR GROUND TOGETHER WITH WIRE CONNECTOR.
 - 5 USED ON D29R ONLY.
 - 4 USED ON D26P & D30B ONLY.
 - 3 SCREW CLAMP ON TO THE FLOOR OF COMPARTMENT INTO THE ALUMINUM EXTRUSION ON BOTTOM SIDE OF COMPARTMENT.
 - 2 CONNECT CB-2 BLACK WIRE FROM GENERATOR TO BLACK OF GRN-2 WITH CONNECTOR 8311-01-000 AND WHITES TO WHITES AND GROUNDS TO GROUNDS.
 - 1 CONNECT BLACK TO BLACK, WHITE TO WHITE, AND GROUNDS TO GROUNDS.



250 29D

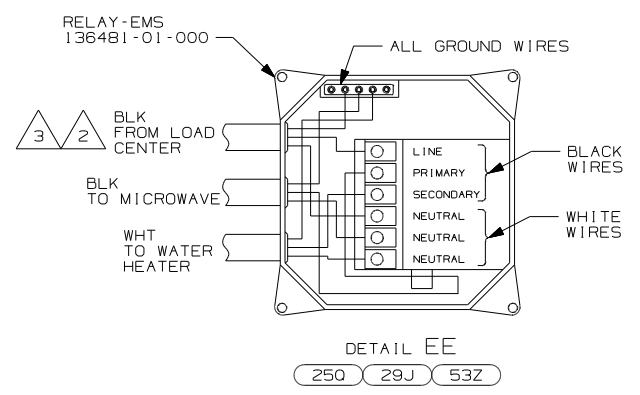
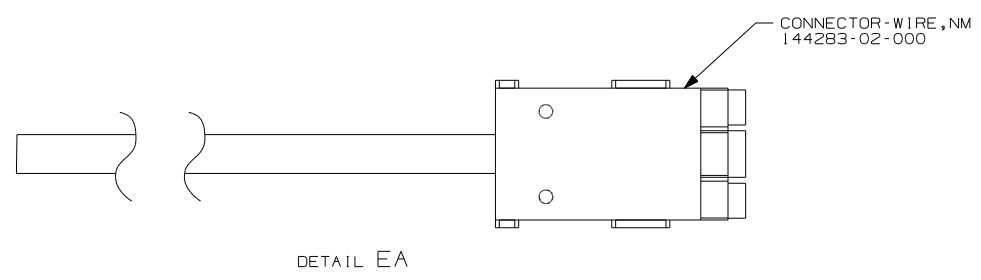
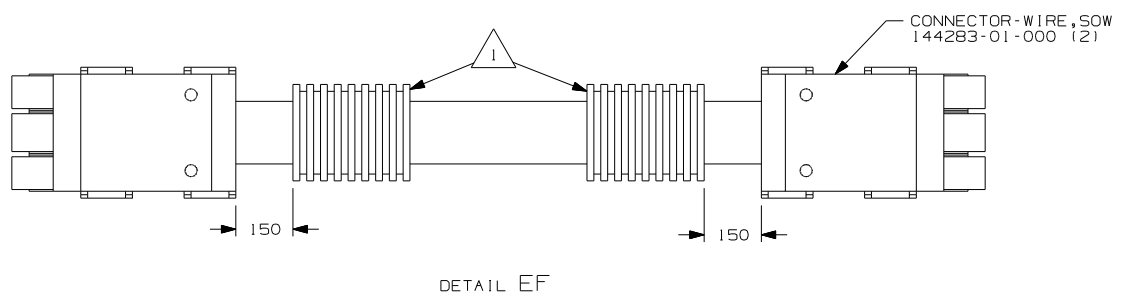
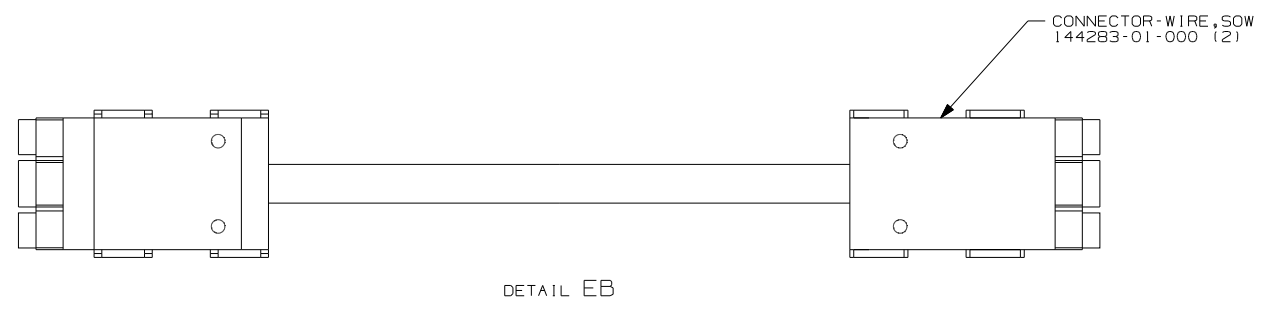
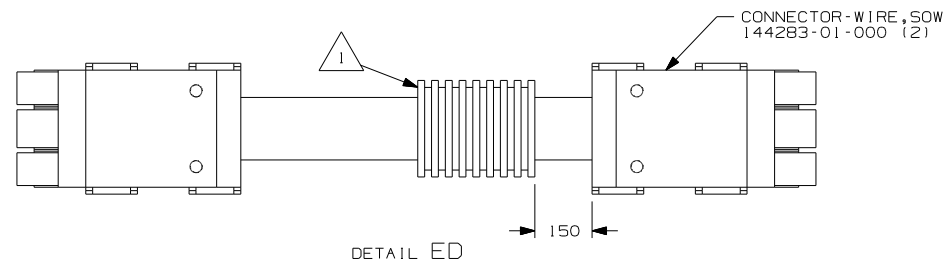
276

FOR ELECTRICAL
TORQUE
SPECIFICATIONS
SEE DWG NO.
128783-01-000

X-X
FOR ELECTRICAL
CALLOUTS
SEE DWG NO.
121339-01-000

- 29D A/C ROOF-ONE 13,500 BTU
- 250 A/C ROOF AIR (1) 14,800 BTU
- 276 A/C ROOF-HI EFF (2) W/EMS
- 12D ELECTRICAL SYSTEM 30 AMP
- 265 CODES/STANDARDS-CSA/CMVSS
- 1B1 CODES/STANDARDS USA

FIRST USED	
08 D-SERIES	
DO NOT SCALE DRAWING	
TITLE: LOAD CENTER/ATS ASM	
SHEET 4	PART NO 162640
REV	



- NOTES:
- 3 ON D26P MEASURE 2500MM FROM THE BACK OF THE LOAD CENTER, LOOP THE BLACK WIRE AND CONNECT AS SHOWN.
 - 2 ON D30B & D29R MEASURE 1200MM FROM THE BACK OF THE LOAD CENTER, LOOP THE BLACK WIRE AND CONNECT AS SHOWN.
 - 1 APPLY 300MM OF CONDUIT-CONVOLUTE 41953-05-000 OVER WIRE AT DIMENSION SHOWN AND SECURE BOTH ENDS OF TUBING TO WIRE WITH TAPE 8363-01-000.

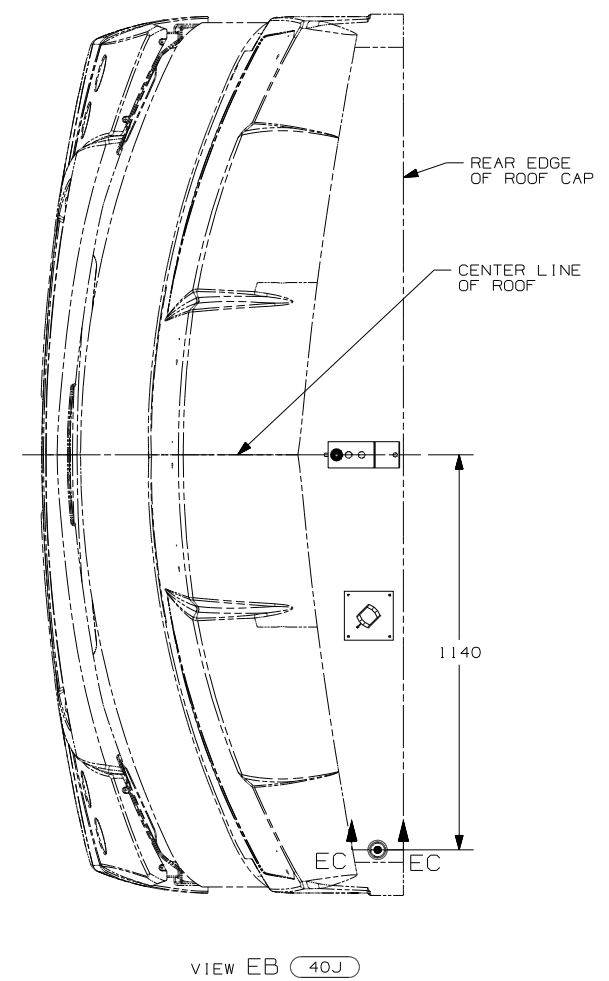
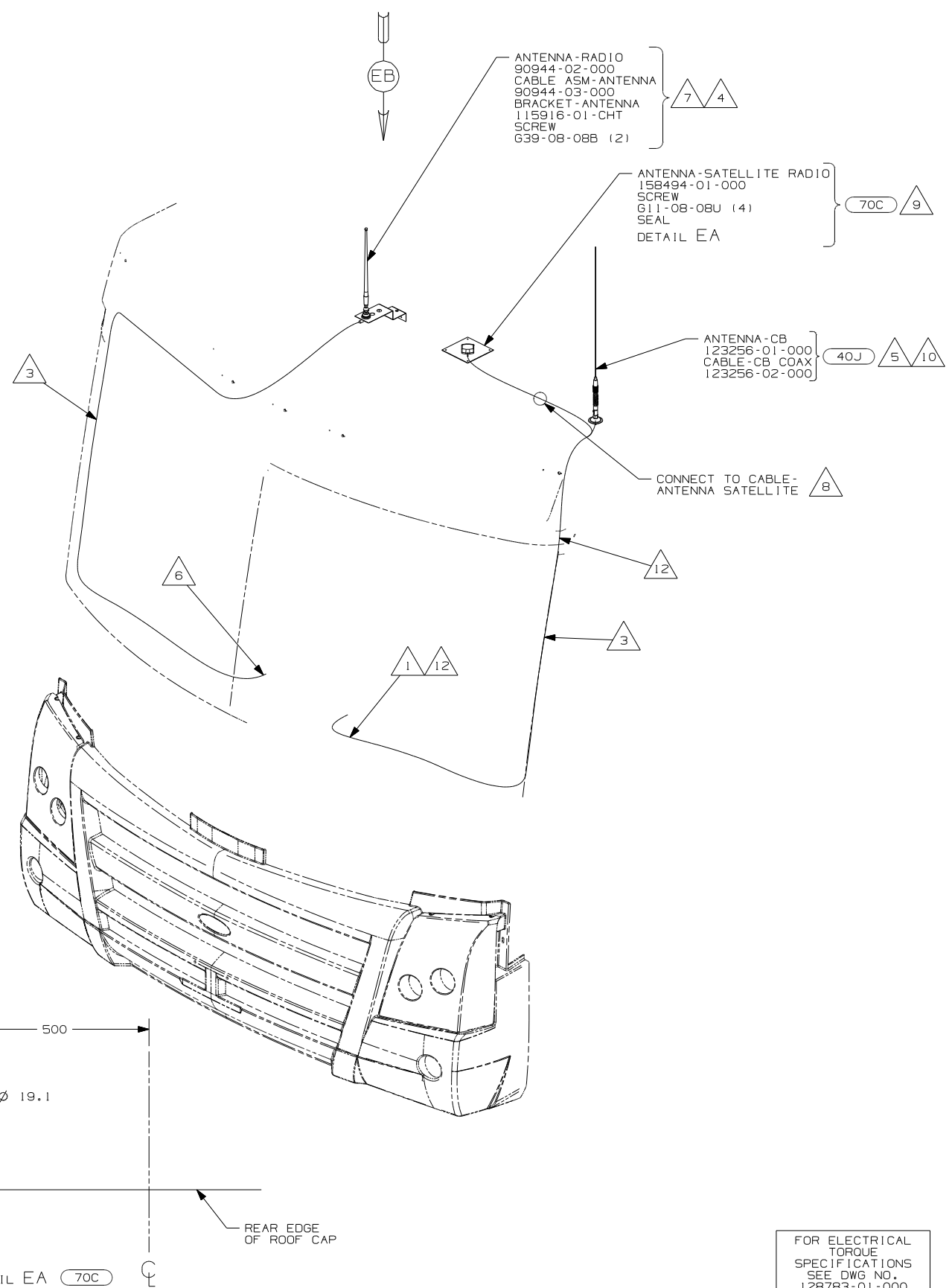
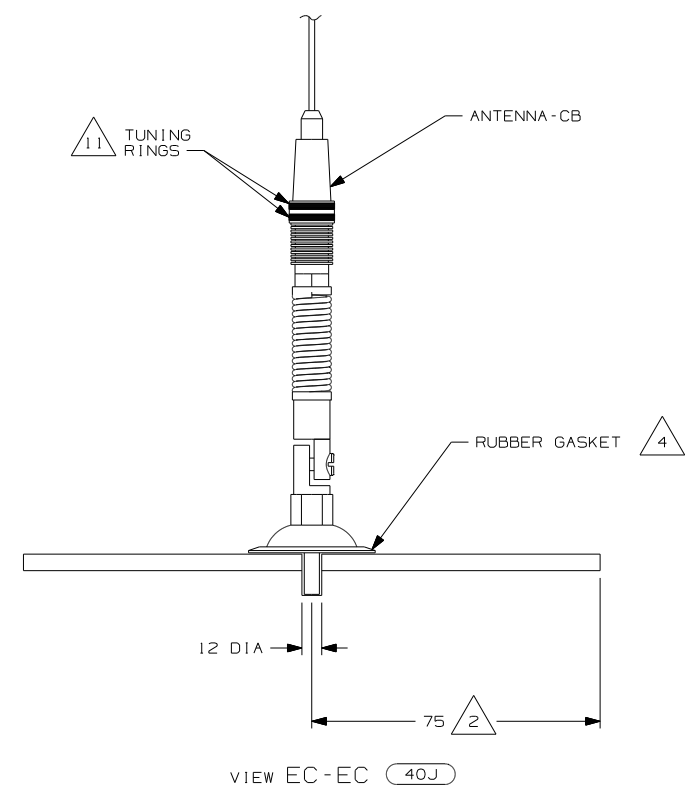
- 53Z WTR HTR-6GAL/110/LP/MTR/AUTO
- 29J AC HEAT PUMP-1
- 250 A/C ROOF AIR (1) 14,800 BTU
- 12D ELECTRICAL SYSTEM 30 AMP
- 265 CODES/STANDARDS-CSA/CMVSS
- 1B1 CODES/STANDARDS USA

1B1 265 12D

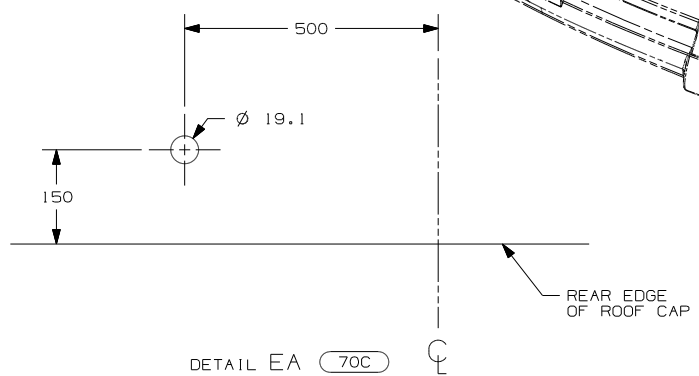
FOR ELECTRICAL TORQUE SPECIFICATIONS SEE DWG NO. 128783-01-000

X-X FOR ELECTRICAL CALLOUTS SEE DWG NO. 121339-01-000

FIRST USED	
08 D-SERIES	
DO NOT SCALE DRAWING	
TITLE: LOAD CENTER/ATS ASM	
SHEET 5	PART NO 162640 REV



- NOTES:
- 12 PROVIDE A 700 MM DROP OF CB ANTENNA CABLE FROM THE TOP OF THE A-PILLAR TO CONNECT TO THE ANTENNA AND PLACE THE EXCESS CABLE IN THE CB PREP BAG LOCATED UNDER THE DASH.
 - 11 TUNING RINGS ARE TO BE BOTH ADJUSTED TO THE TOP OF THEIR TRAVEL AND TIGHTENED AGAINST EACH OTHER.
 - 10 TIGHTEN JOINTS BETWEEN ANTENNA BASE AND ANTENNA PIVOT AND ALSO THE MAST AND ANTENNA PLATE.
 - 9 MOUNT ANTENNA SUCH THAT BASE IS SQUARE W/REAR OF ROOF CAP & HOLE IS DIRECTLY OVER HOLE IN FIBERGLASS. SEAL HOLE IN ROOF CAP, BASE AT SCREWS.
 - 8 SEE WIRING INSTL-FRONT END FOR ADDITIONAL INFORMATION.
 - 7 USE HOLE IN BRACKET AS GUIDE TO DRILL 13 DIAMETER HOLE IN FIBERGLASS.
 - 6 TO RADIO.
 - 5 ATTACH ANTENNA-CB GROUND WIRE TO CAB FRAME, USE SCREW G39-08-08B.
 - 4 SEAL AROUND ANTENNA BASE.
 - 3 ROUTE CABLE ALONG A-POST, UNDER TRIM COVER.
 - 2 MEASURED FROM REAR EDGE OF FIBERGLASS CAP.
 - 1 SEE WIRING INSTL-FRONT END FOR LOCATION OF COAX END AND LABEL.

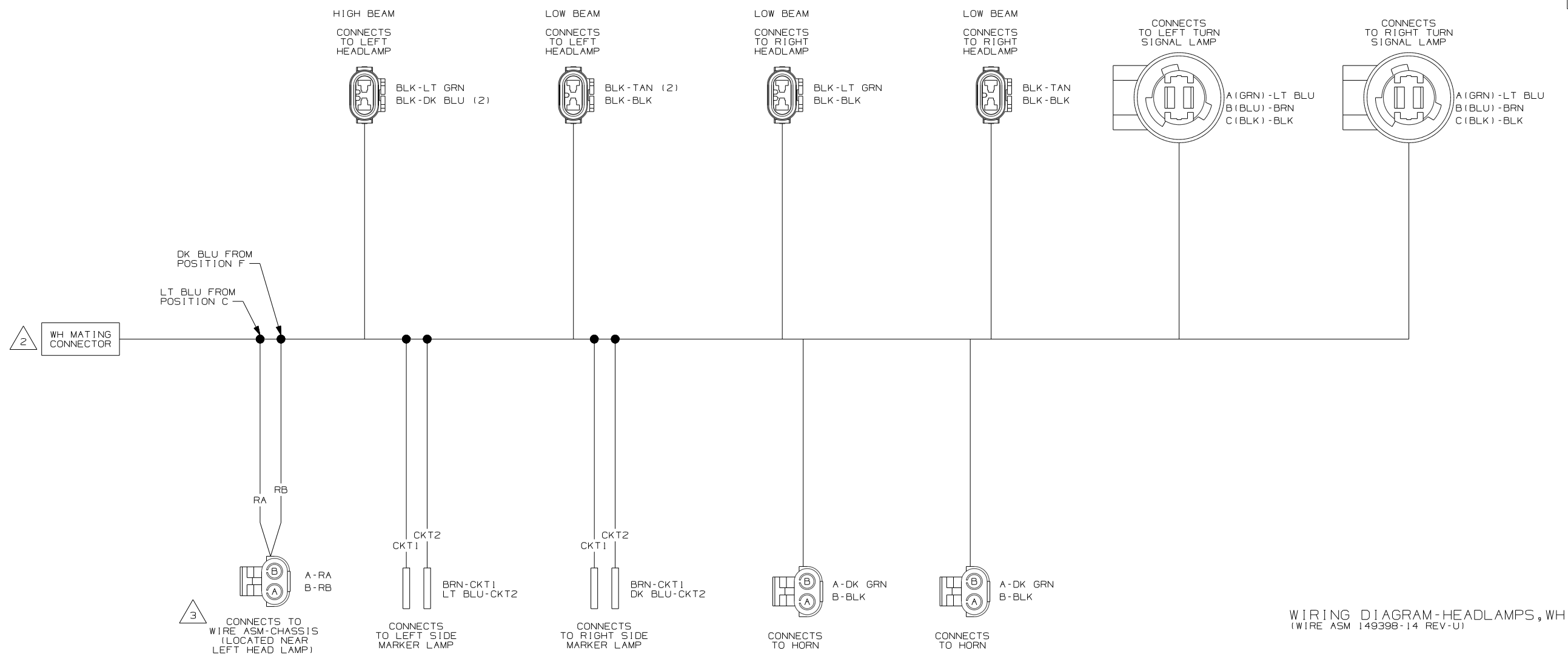


FOR ELECTRICAL TORQUE SPECIFICATIONS SEE DWG NO. 128783-01-000

FOR ELECTRICAL CALLOUTS SEE DWG NO. 121339-01-000

- (70C) RADIO - SATELLITE
- (40J) CB RADIO PREP
- (265) CODES/STANDARDS-CSA/CMVSS
- (1B1) CODES/STANDARDS USA

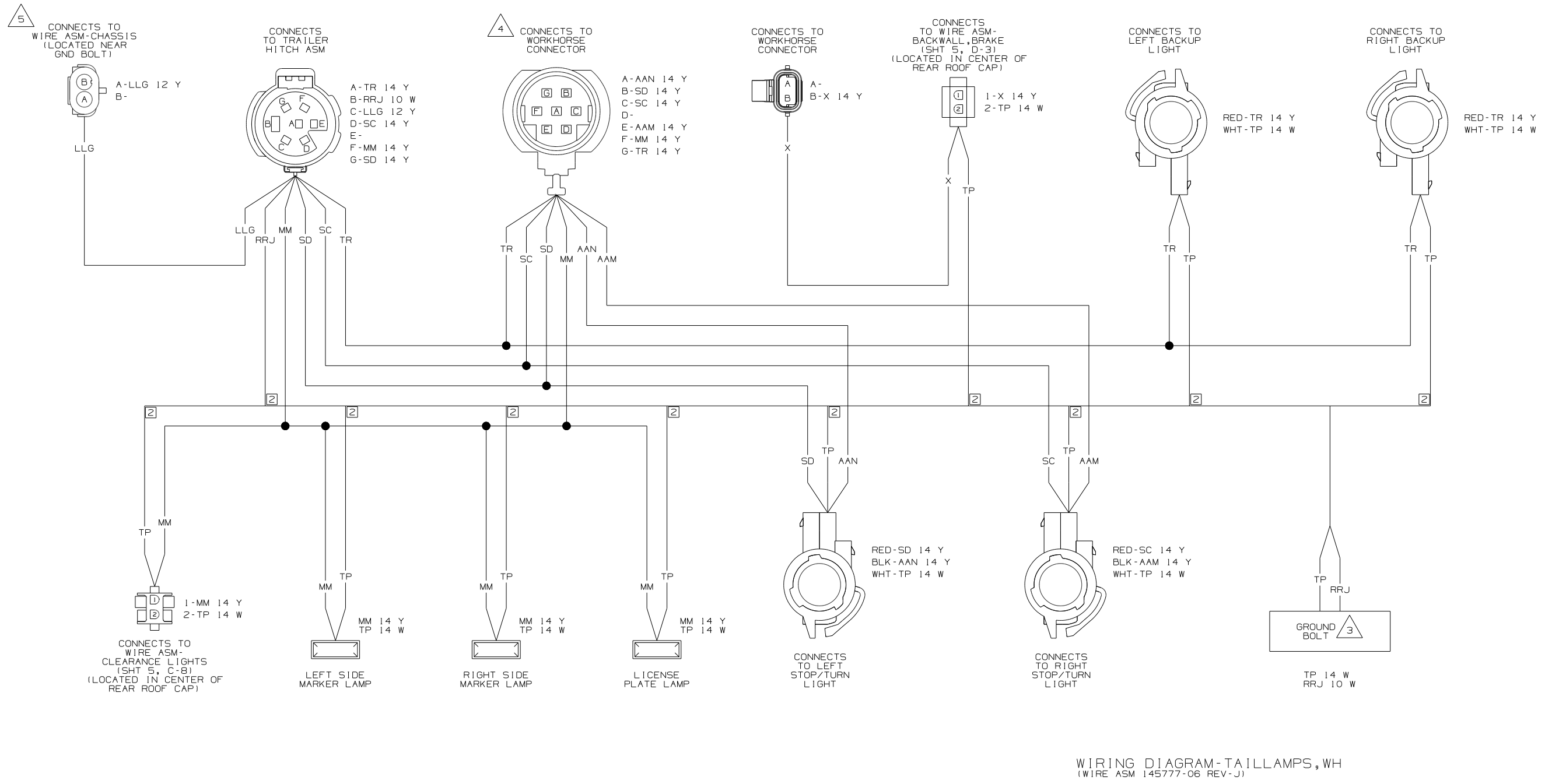
FIRST USED	
08 MOTORHOMES	
DO NOT SCALE DRAWING	
TITLE: ANTENNA INSTL-RADIO AND CB	
SHEET 5	PART NO 160329 REV



WIRING DIAGRAM-HEADLAMPS, WH
(WIRE ASM 149398-14 REV-U)

- NOTES:
- 3 SEE WIRING DIAGRAM-BODY FOR ADDITIONAL INFORMATION.
 - 2 SEE MANUFACTURERS DIAGRAM FOR ADDITIONAL INFORMATION.
 - 1. SPLICES ARE THEORETICAL AND MAY DIFFER IN THE HARNESS.

FIRST USED	08 D-SERIES		
TITLE	DO NOT SCALE DRAWING		
	WIRING DIAGRAM-AUTO LAMPS		
SHEET 2	PART NO	162637	REV

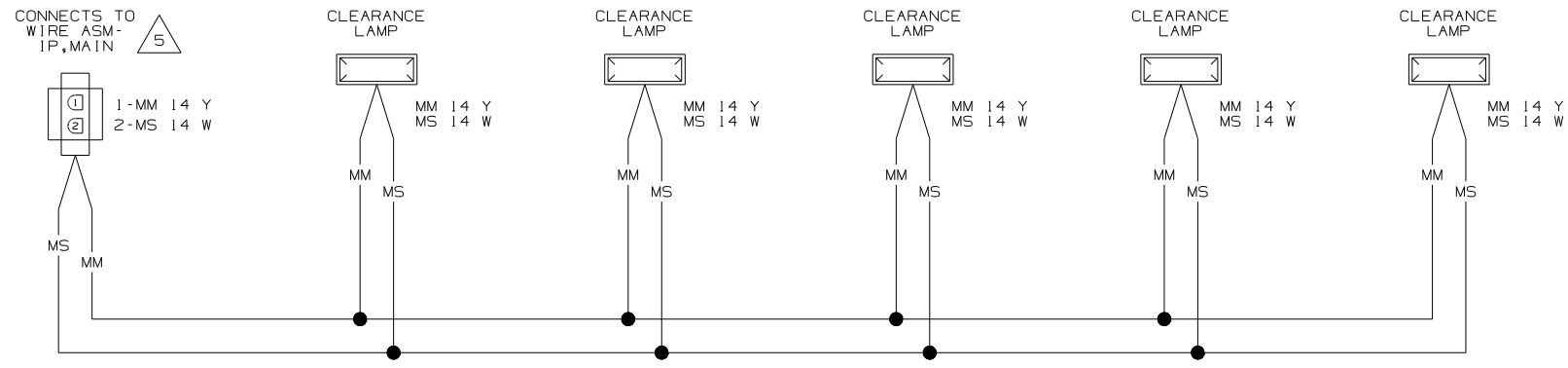


WIRING DIAGRAM-TAILLAMPS, WH
(WIRE ASM 145777-06 REV-J)

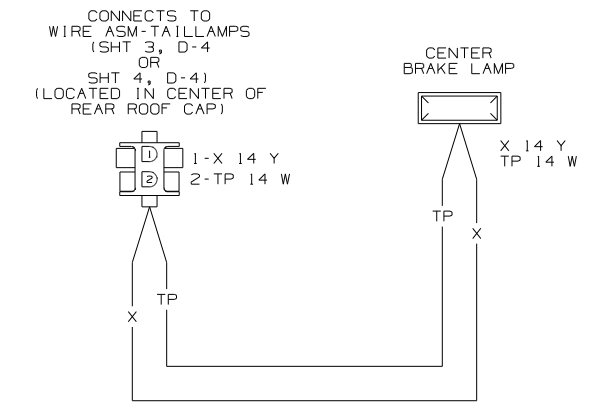
- 5 SEE WIRING DIAGRAM-BODY FOR ADDITIONAL INFORMATION.
 - 4 SEE MANUFACTURERS DIAGRAM FOR ADDITIONAL INFORMATION.
 - 3 GROUNDS ARE SHOWN AS A SINGLE LINE FOR EASE IN TRACING. EACH GROUND CIRCUIT IS SEPERATE IN THE HARNESS.
 - 2 NOT A SPLICE POINT. INDICATES ENTRY INTO WIRING HARNESS.
1. SPLICES ARE THEORETICAL AND MAY DIFFER IN THE HARNESS.

NOTES:

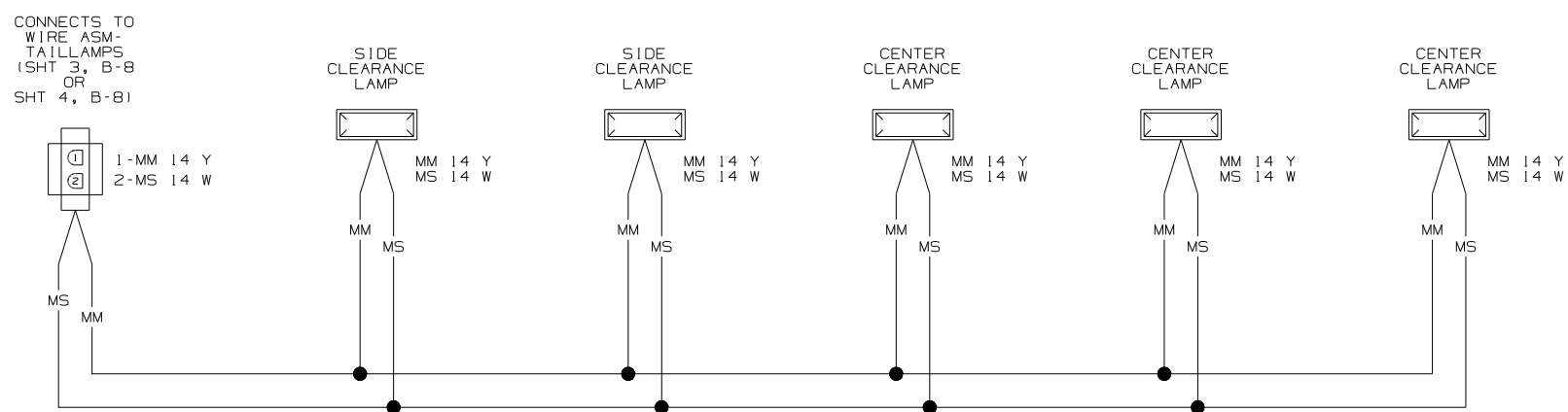
FIRST USED	08 D-SERIES		
TITLE	DO NOT SCALE DRAWING		
	WIRING DIAGRAM-AUTO LAMPS		
SHEET 4	PART NO	162637	REV



WIRING DIAGRAM-CLEARANCE LAMPS
(WIRE ASM 129943-01 REV-D)



WIRING DIAGRAM-BACKWALL, BRAKE
(WIRE ASM 132731-02 REV-E)

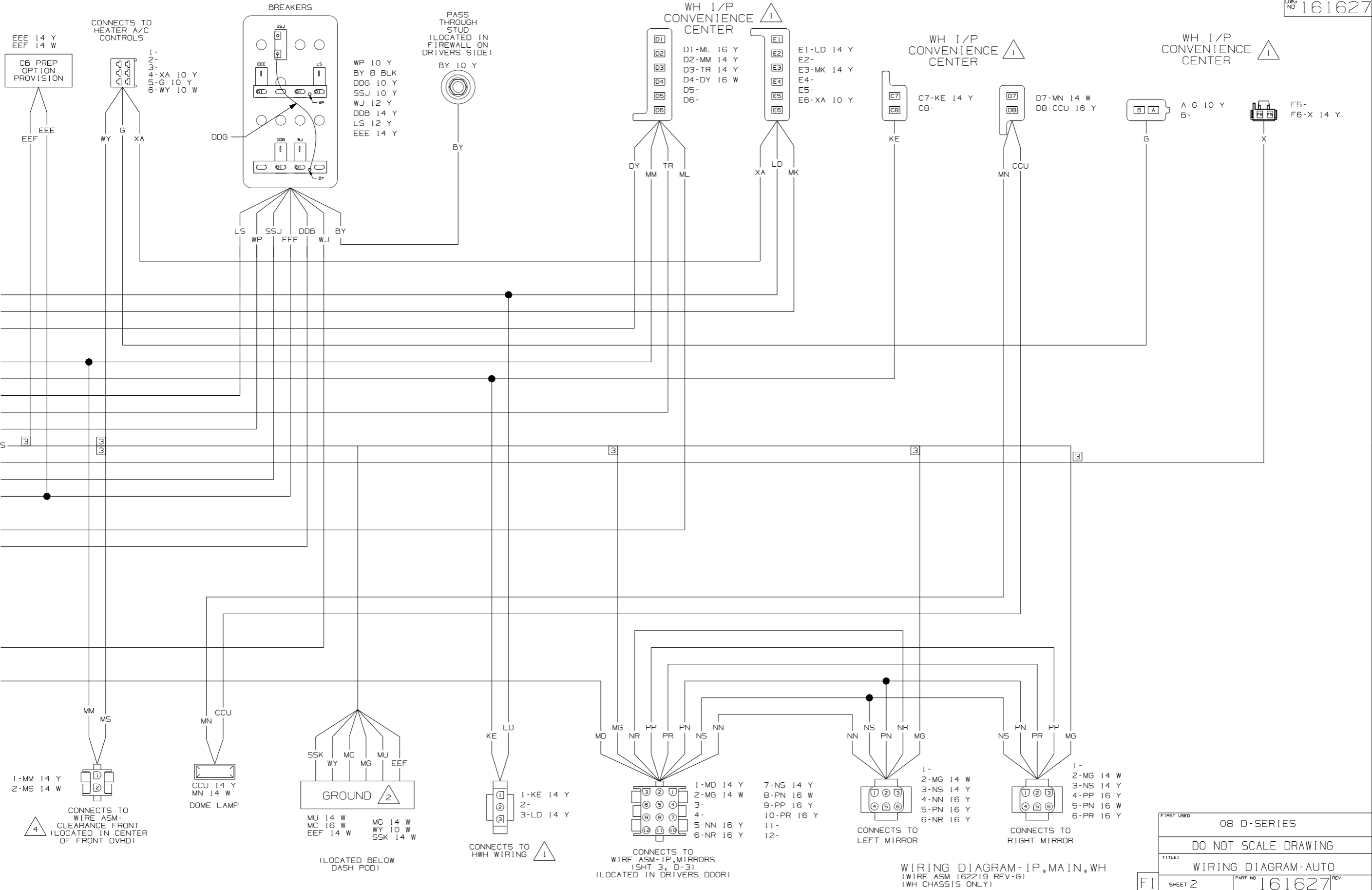


WIRING DIAGRAM-CLEARANCE LIGHTS
(WIRE ASM 132085-02 REV-F)

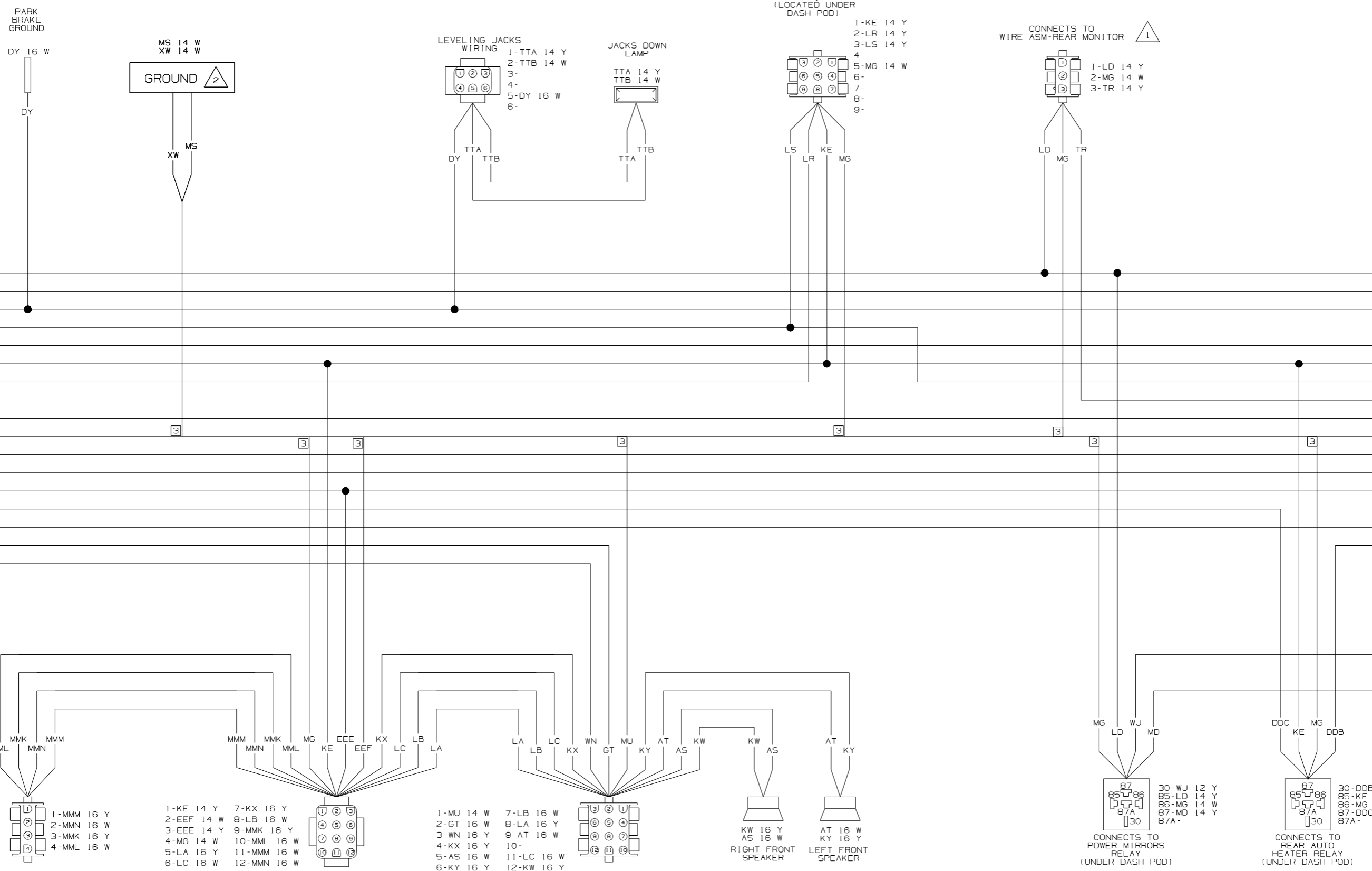
- 5 SEE WIRING DIAGRAM-AUTO FOR ADDITIONAL INFORMATION.
- 4 SEE MANUFACTURERS DIAGRAM FOR ADDITIONAL INFORMATION.
- 3 GROUNDS ARE SHOWN AS A SINGLE LINE FOR EASE IN TRACING. EACH GROUND CIRCUIT IS SEPERATE IN THE HARNESS.
- 2 NOT A SPLICE POINT. INDICATES ENTRY INTO WIRING HARNESS.
1. SPLICES ARE THEORETICAL AND MAY DIFFER IN THE HARNESS.

NOTES:

FIRST USED	08 D-SERIES	
TITLE	DO NOT SCALE DRAWING	
TITLE	WIRING DIAGRAM-AUTO LAMPS	
SHEET 5	PART NO	162637
	REV	



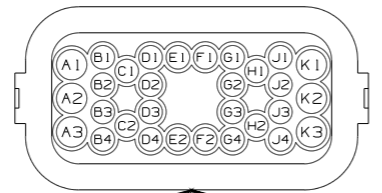
FIRST USED	08 D-SERIES	
TITLE	DO NOT SCALE DRAWING	
TITLE	WIRING DIAGRAM-AUTO	
SHEET 2	PART NO	161627
		REV



CONNECTS TO LEVELING JACKS WIRING

- A1-WP 10 Y
- A2-
- A3-LLG 12 Y
- B1-
- B2-
- B3-
- B4-
- C1-KE 14 Y
- C2-RB 14 Y
- D1-
- D2-
- D3-
- D4-
- E1-MM 14 Y
- E2-DY 16 W

CONNECTS TO WIRE ASM-CHASSIS (IN FLOOR ON LEFT SIDE)



- F1-SSC 14 Y
- F2-SSD 14 Y
- G1-SSE 14 Y
- G2-SSF 14 Y
- G3-LR 14 Y
- G4-
- H1-KU 14 Y
- H2-
- J1-KS 14 Y
- J2-RA 14 Y
- J3-
- J4-
- K1-
- K2-
- K3-



LEFT DEFROST FAN

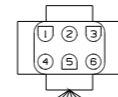
- LF 14 Y
- LE 14 Y
- XW 14 W



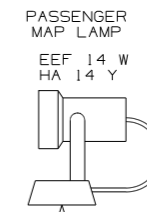
RIGHT DEFROST FAN

- LF 14 Y
- LE 14 Y
- XW 14 W

CONNECTS TO WIRE ASM-IP POD, LEFT (SHT 3, A-4) (LOCATED BELOW DASH POD)



- 1-DDC 14 Y
- 2-KS 14 Y
- 3-KU 14 Y
- 4-LD 14 Y
- 5-LE 14 Y
- 6-LF 14 Y



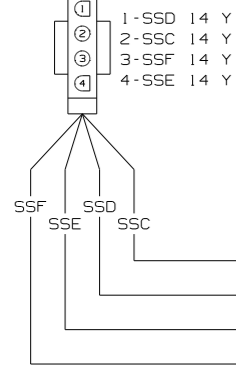
PASSENGER MAP LAMP

- EEF 14 W
- HA 14 Y

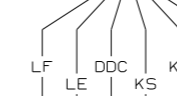
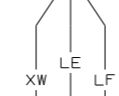
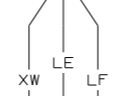
CONNECTS TO WIRE ASM-SIDEWALL, FRONT (SHT 4, B-3) (LOCATED BELOW RIGHT DASH)



- 1-HA 14 Y
- 2-EEE 14 Y



- SSF
- SSE
- SSD
- SSC
- SSJ
- SSK
- SSL
- SSM
- SSN
- SSO
- SSP
- SSQ
- SSR
- SSS
- SST
- SSU
- SSV
- SSW
- SSX
- SSY
- SSZ



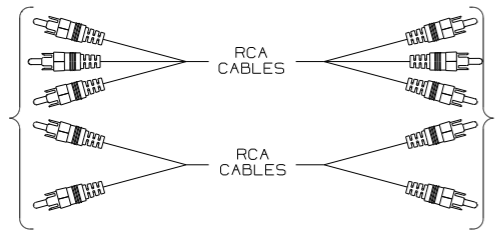
CONNECTS TO WIRE ASM-REAR MONITOR



- 1-RB 14 Y
- 2-RA 14 Y

- 1-RB 14 Y
- 2-RA 14 Y

CONNECTS TO WIRE ASM-ROOF (LOCATED IN BACK OF FRONT OVHD)



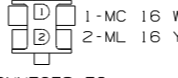
CONNECTS TO RADIO

- LLG
- SSJ
- SSK
- X
- ML



SSJ-BRAKE CONTROLLER POWER
 SSK-BRAKE CONTROLLER GROUND
 X-BRAKE CONTROLLER INPUT (BRAKE LIGHT FEED)
 LLG-BRAKE CONTROLLER OUTPUT (TO TRAILER CONNECTOR)
 ML-BACK LIGHTING

- MC
- ML



CONNECTS TO HEATER A/C LAMP

- 1A-ML 16 Y
- 2A-ML 16 Y
- 1B-MC 16 W
- 2B-MC 16 W

INDIRECT LIGHTING

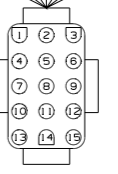
- 1A-ML 16 Y
- 2A-ML 16 Y
- 1B-MC 16 W
- 2B-MC 16 W

INDIRECT LIGHTING

- 1A-ML 16 Y
- 2A-ML 16 Y
- 1B-MC 16 W
- 2B-MC 16 W

INDIRECT LIGHTING

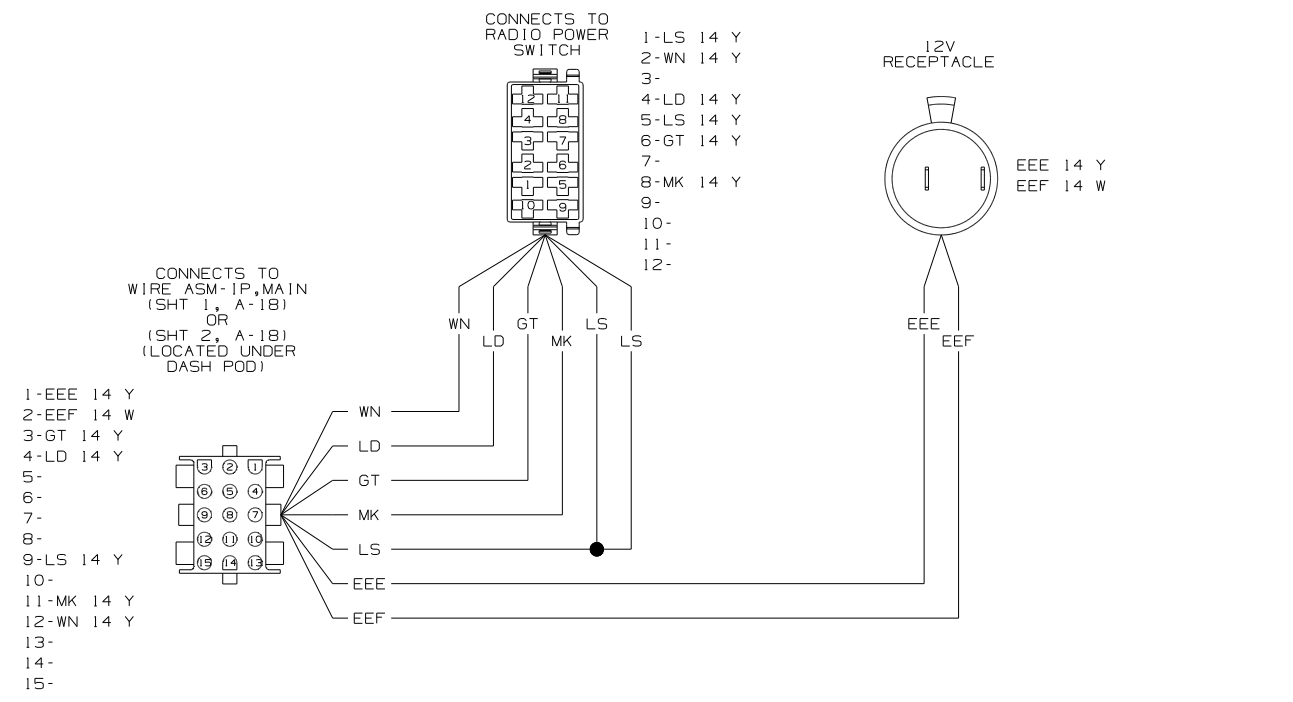
- EEF
- LD
- MK
- LS
- EEE
- GT
- WN



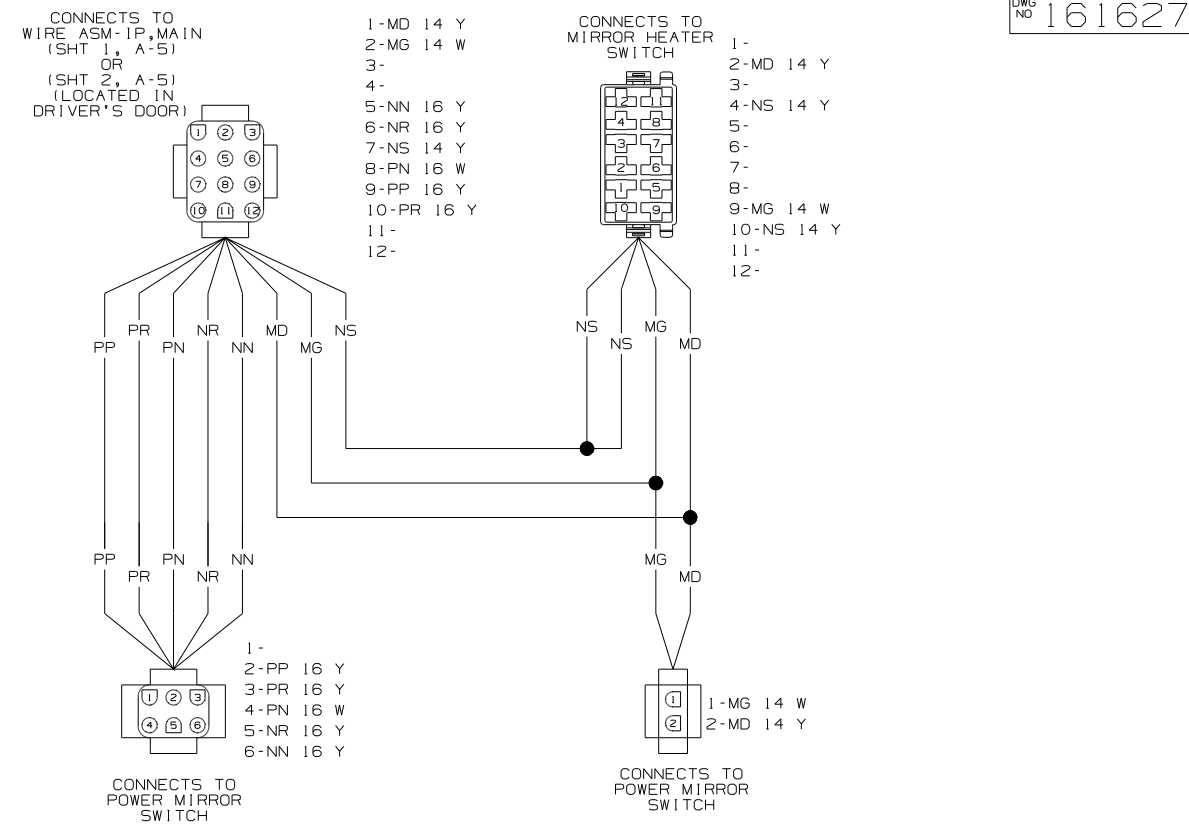
- 1-EEE 14 Y
- 2-EEF 14 W
- 3-GT 16 Y
- 4-LD 14 Y
- 5-
- 6-
- 7-
- 8-
- 9-LS 12 Y
- 10-
- 11-MK 14 Y
- 12-WN 16 Y
- 13-
- 14-
- 15-

CONNECTS TO WIRE ASM-IP POD, RIGHT (SHT 3, C-8) (LOCATED UNDER DASH POD)

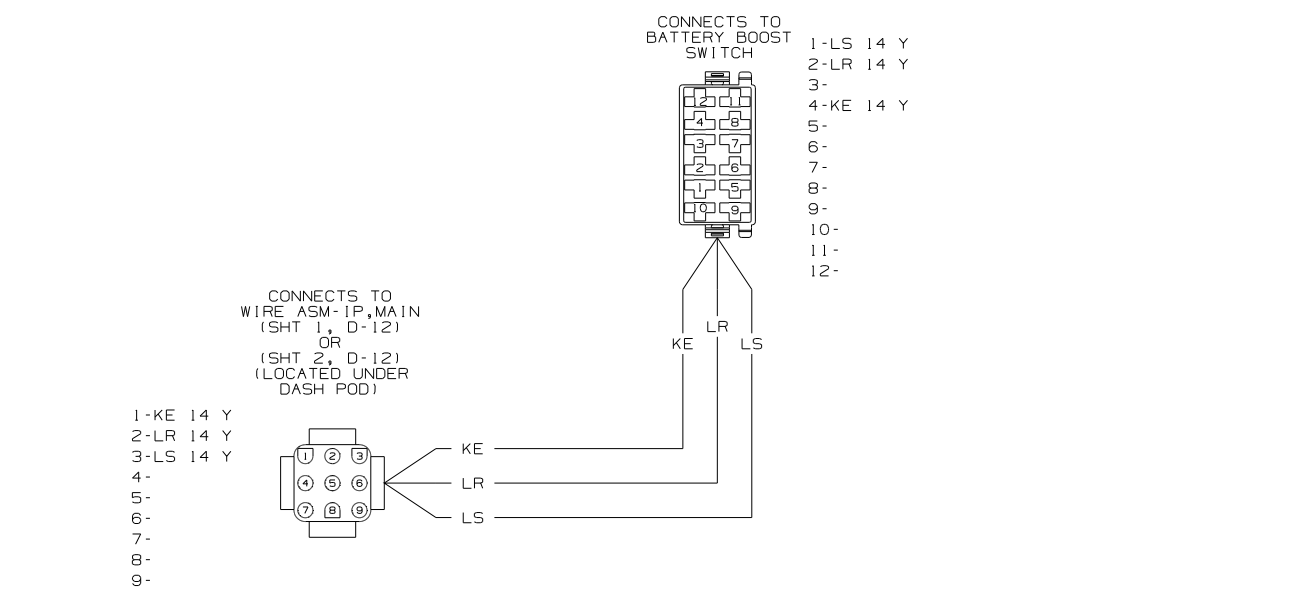
- NOTES:
- 5 SEE WIRING DIAGRAM-BODY, 12 FOR ADDITIONAL INFORMATION.
 - 4 SEE DIAGRAM-AUTO LAMPS FOR ADDITIONAL INFORMATION.
 - 3 NOT A SPLICE POINT. INDICATES ENTRY TO WIRE HARNESS.
 - 2 GROUNDS ARE SHOWN AS A SINGLE LINE FOR EASE IN TRACING. EACH GROUND WIRE IS SEPARATE FROM GROUND BARE OR STUD TO HOUSING OR DEVICES INCLUDED ON THAT PARTICULAR GROUND PATH.
 - 1 SEE MANUFACTURER'S DIAGRAM FOR ADDITIONAL INFORMATION.



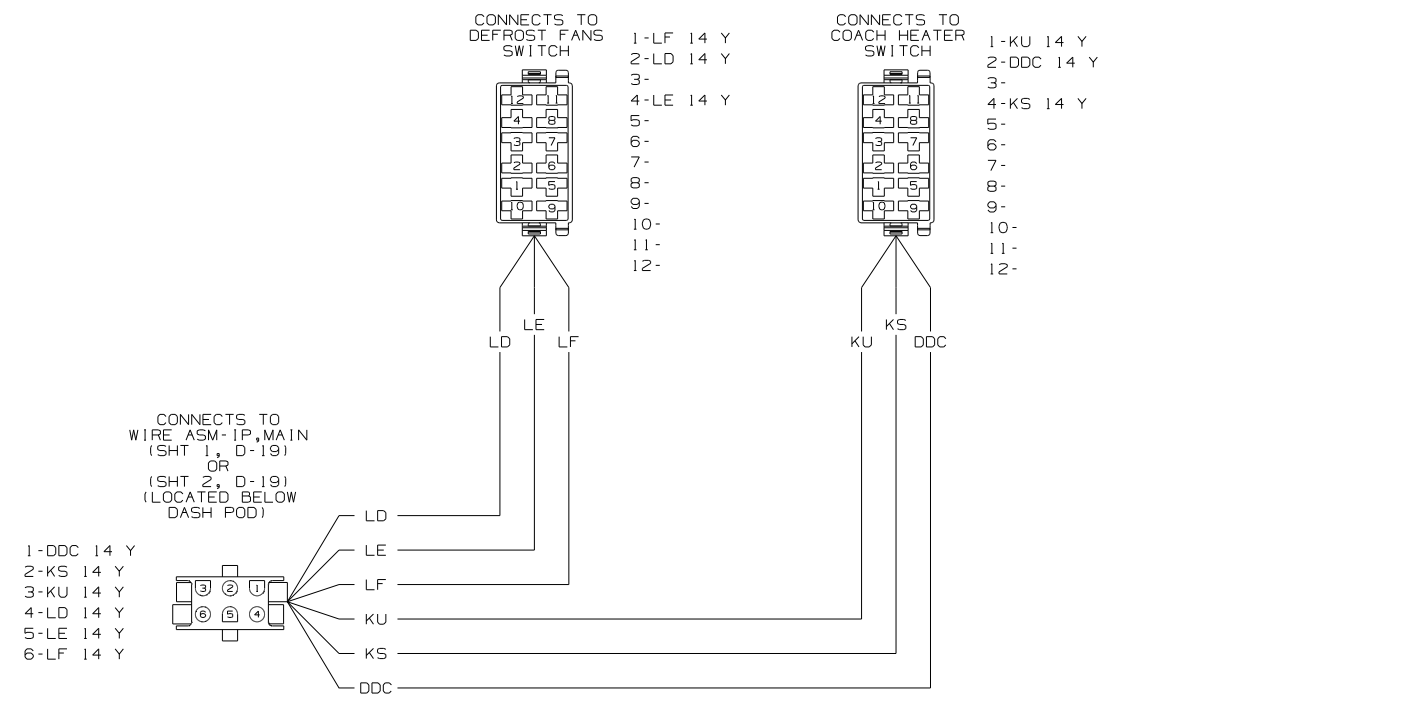
WIRING DIAGRAM-IP POD,RIGHT (WIRE ASM 156819-02 REV.C)



WIRING DIAGRAM-IP POWER MIRROR (WIRE ASM 129436-13 REV.AJ)



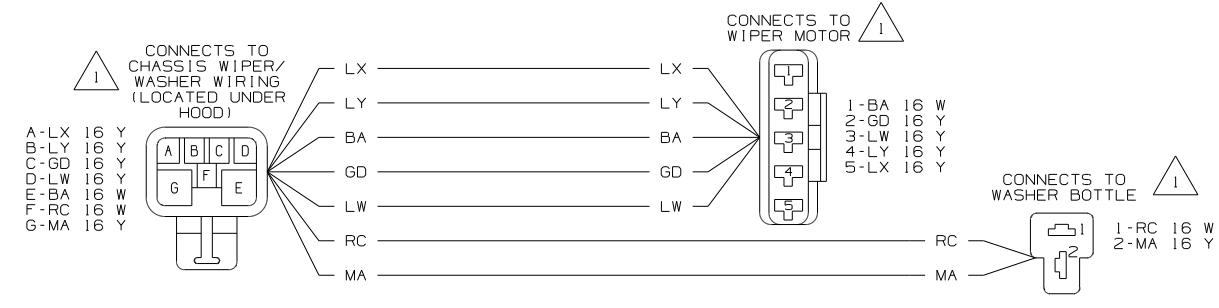
WIRING DIAGRAM-IP POD,LEFT (WIRE ASM 156816-04 REV.B)



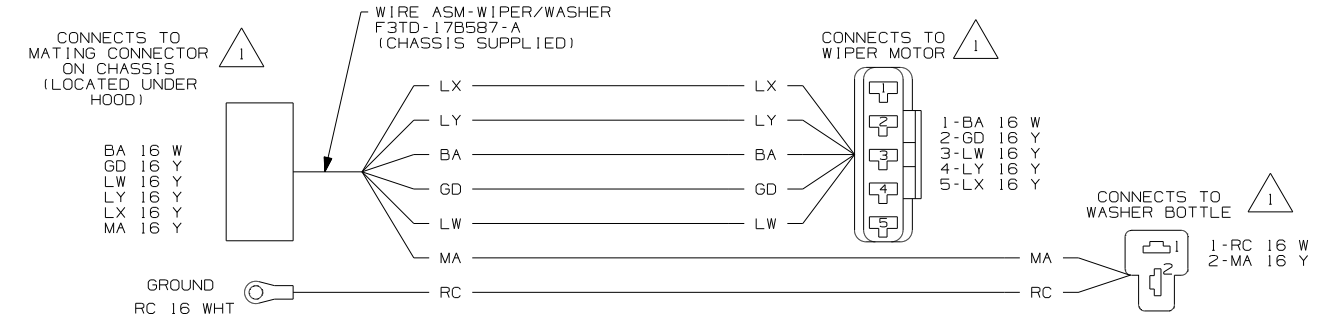
WIRING DIAGRAM-IP POD,LEFT (WIRE ASM 156817 REV.B)

NOTES: 1. SPLICES ARE THEORETICAL AND MAY DIFFER IN THE HARNESS.

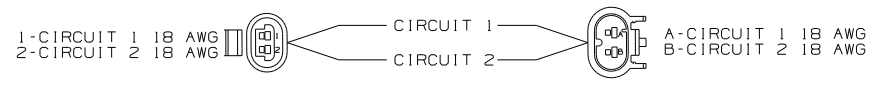
FIRST USED	08 D-SERIES
TITLE	DO NOT SCALE DRAWING
TITLE	WIRING DIAGRAM-AUTO
SHEET 3	PART NO 161627 REV
9/10/2007	



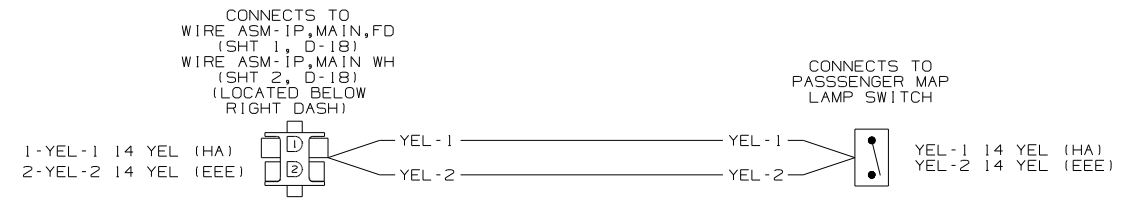
WIRING DIAGRAM-WIPER/WASHER
(WIRE ASM 126030-01 REV E)



WIRING DIAGRAM-WIPER/WASHER
(WIRE ASM 111096-03 REV-F)



WIRING DIAGRAM-TEMP SENSOR
(WIRE ASM 147313 REV-C)

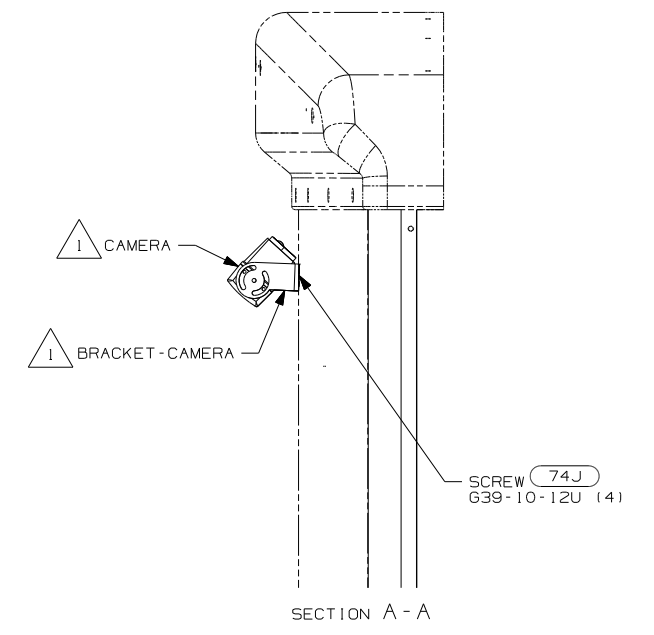
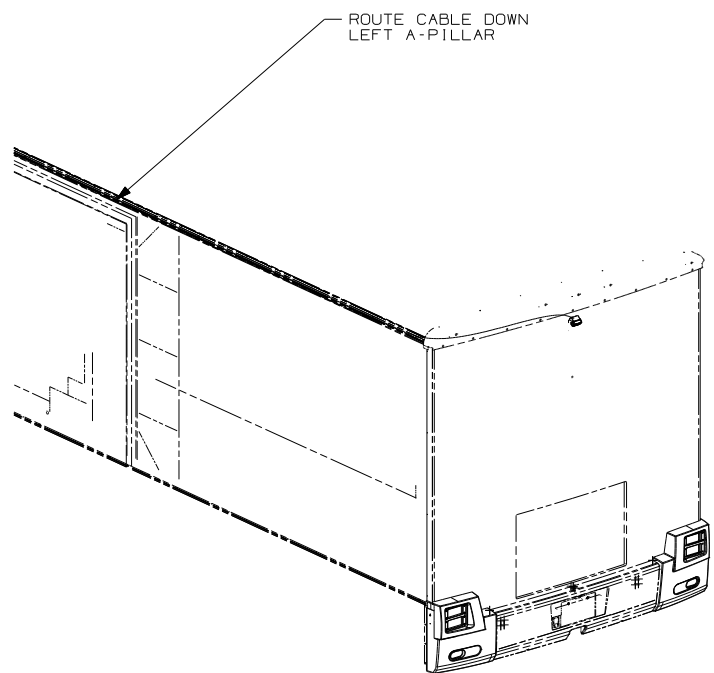
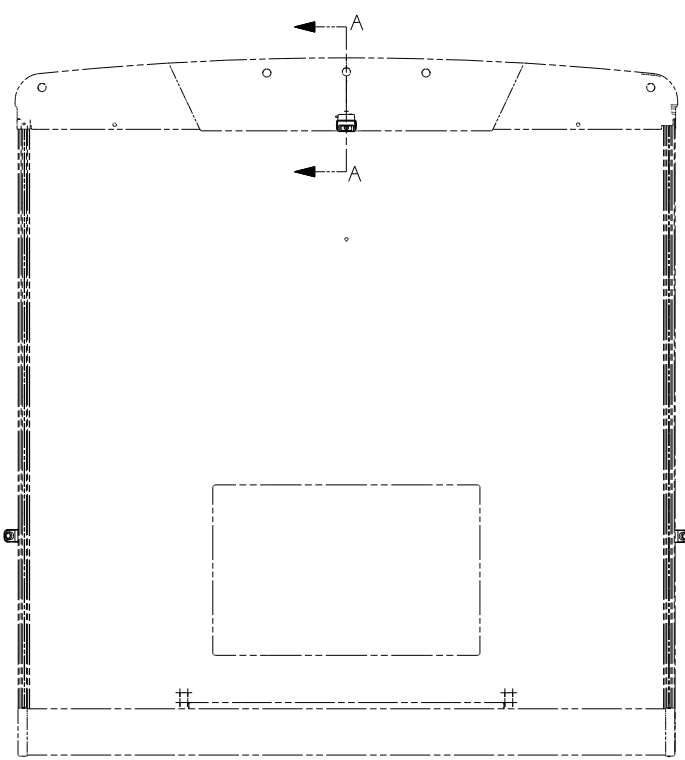
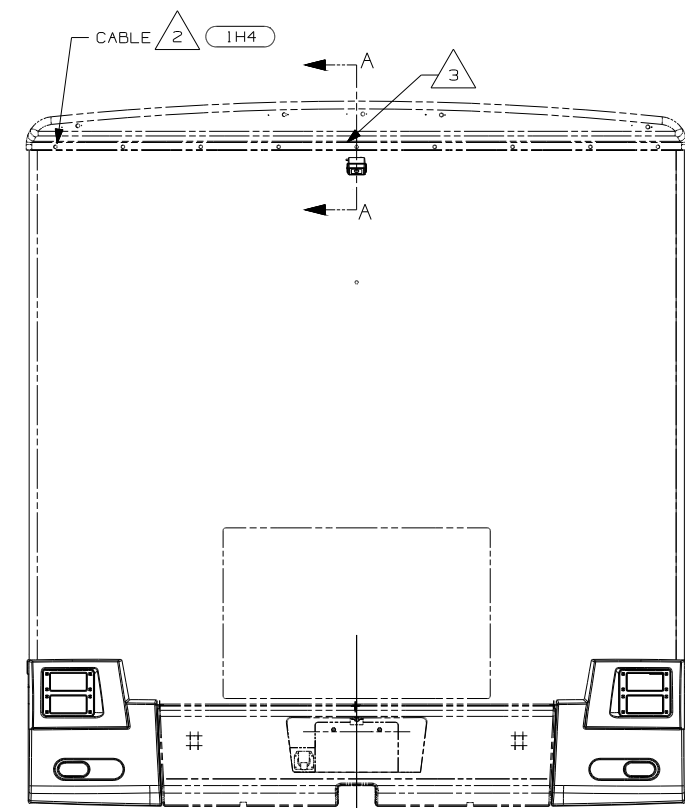


WIRING DIAGRAM-SIDEWALL, FRONT
(WIRE ASM 147579-02 REV-A)

1 SEE MANUFACTURER'S DIAGRAM FOR ADDITIONAL INFORMATION.

NOTES:

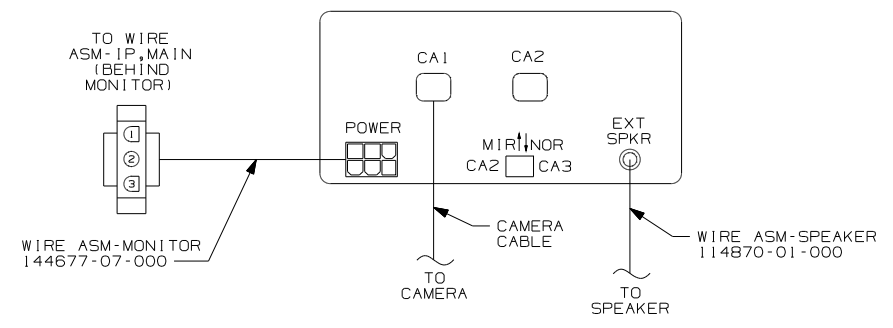
FIRST USED	08 D-SERIES		
TITLE:	DO NOT SCALE DRAWING		
	WIRING DIAGRAM-AUTO		
SHEET 4	PART NO	161627	REV



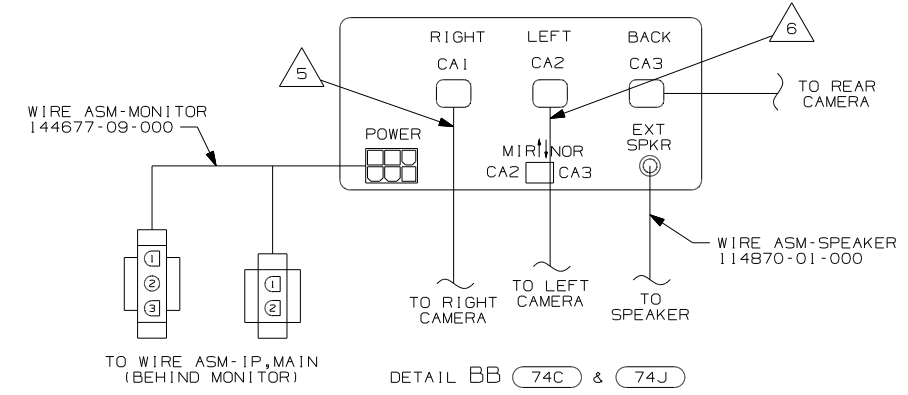
- 74J REARVIEW MONITOR SYSTEM
- 1H4 REARVIEW MONITOR-WIRE PREP
- 1A5 REARVIEW MONITOR SYSTEM W/O

- NOTES:
- 3 END STANDARD CABLE IN THIS AREA ON UNITS WITHOUT MONITOR 1A5 IH4
 - 2 RUN CABLE THRU LEFT-HAND COVE TO REAR OF UNIT. STANDARD ON ALL UNITS WITH 1A5 IH4 74J
 - 1 PARTS SUPPLIED WITH CAMERA KIT P/N 144677-14-CHT 74J

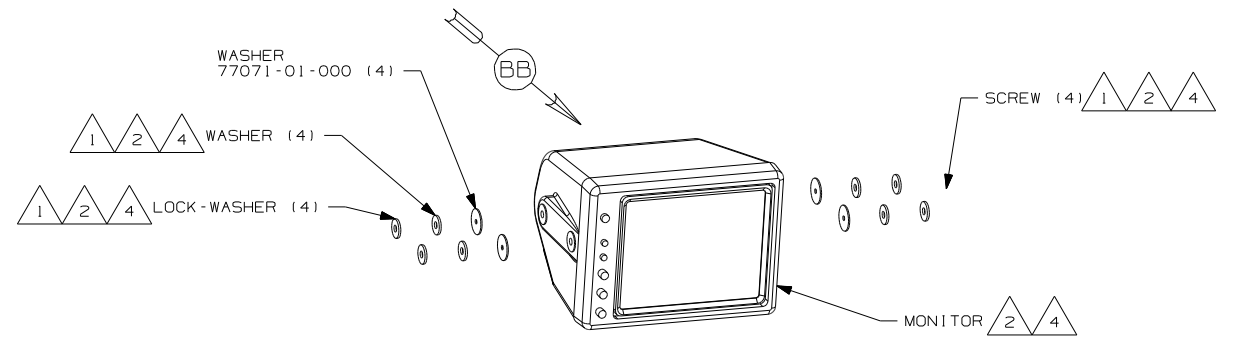
WINNEBAGO		COPYRIGHT 2006 WINNEBAGO INDUSTRIES, INC.	
DFTR	ORIG. DATE	ALL DIMENSIONS ARE IN MILLIMETERS	
CHKR		FIRST USED	
P.E.		08 D & E-SER	
M.E.		UNSPECIFIED TOLERANCES ARE:	
DSNR		MATERIAL:	
		WHOLE DIM (X) :	
		ONE-PLACE (X.X) :	
		TWO-PLACE (X.XX) :	
		ANGLE :	
		THIRD ANGLE PROJECTION	
DO NOT SCALE DRAWING			
TITLE: MONITOR INSTL			
SHEET 1 OF 2	PART NO	160333	REV
REF:	1 11/2/2007		



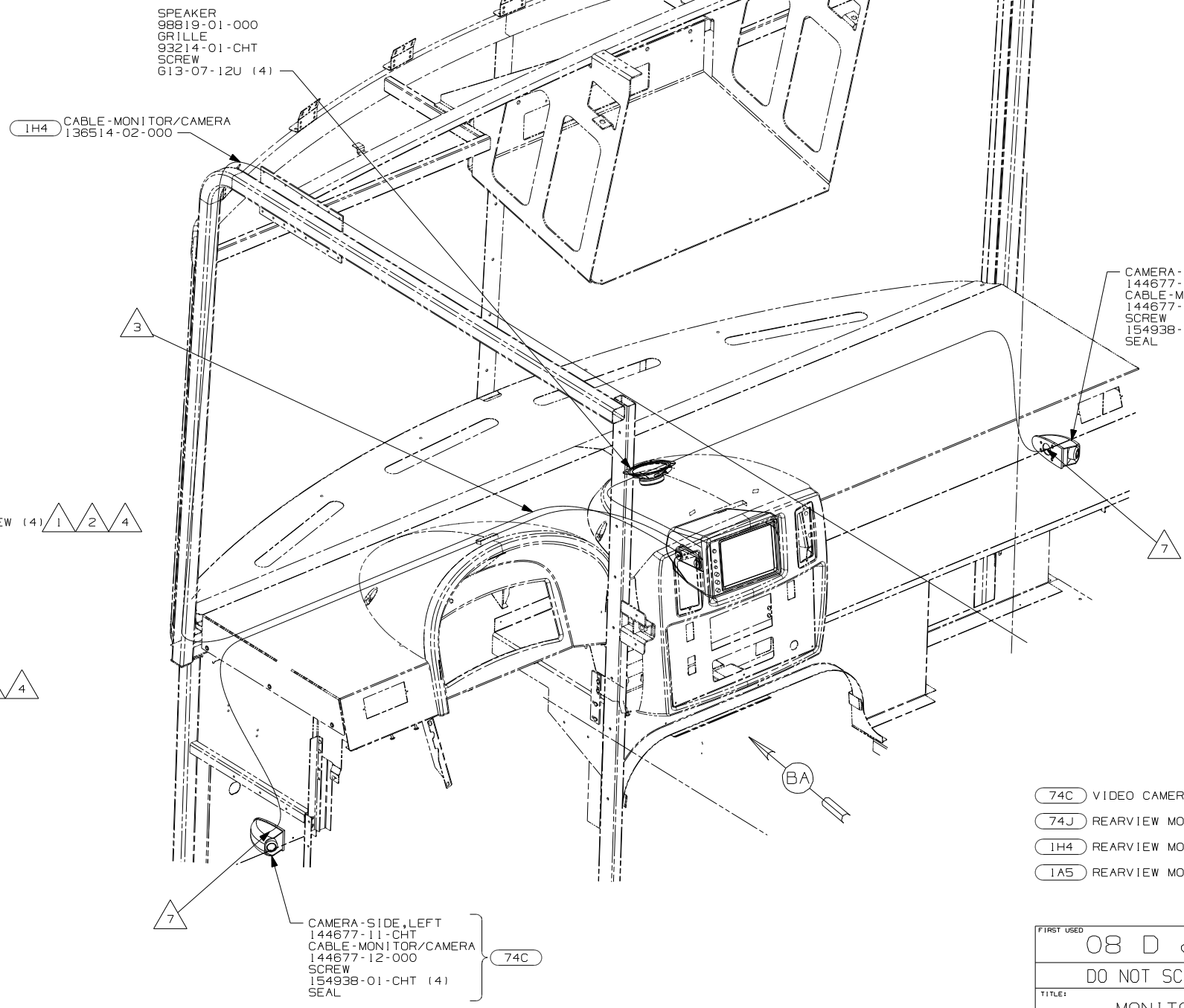
DETAIL BB (74J) ONLY



DETAIL BB (74C & 74J)



DETAIL BA



- NOTES:
- 7 CONNECT CAMERA THRU HOLE IN SIDEWALL, PUSH CONNECTOR BACK THRU SIDEWALL, AND SEAL HOLE.
 - 6 MARK LEFT CABLE WITH YELLOW TAPE 900000-07-000 NEXT TO CONNECTOR.
 - 5 MARK RIGHT CABLE WITH WHITE TAPE 900000-08-000 NEXT TO CONNECTOR.
 - 4 PARTS SUPPLIED WITH MONITOR P/N 144677-08-000. (74C & 74J)
 - 3 END CABLE IN THIS AREA ON UNITS W/O MONITOR. (1A5) (1H4)
 - 2 PARTS SUPPLIED WITH MONITOR P/N 144677-06-000. (74J) ONLY.
 - 1 SEE REARVIEW MONITOR KIT INSTALLATION INSTRUCTIONS FOR MORE DETAILS.

- (74C) VIDEO CAMERA SYSTEM
- (74J) REARVIEW MONITOR SYSTEM
- (1H4) REARVIEW MONITOR-WIRE PREP
- (1A5) REARVIEW MONITOR SYSTEM W/O

FIRST USED	08 D & E-SER	
TITLE:	DO NOT SCALE DRAWING	
	MONITOR INSTL	
SHEET 2	PART NO	160333
	REV	

8	7	6	5	4	3	2	1
DRAWING NO.	FEATURES	SHEETS					
162641-01	1PJ 1PL 1PN	1,2,4					
162641-02	16H 16M	1,3,4					

RELEASE	REV DATE	DWG NO
A		162641
REV ZONE	REVISION RECORD	DATE DFR-016

D-SERIES

		D26P	D29R	D30B	D34A	D35J
CABLE ASM-CHASSIS GND EXT (BLK)	16H 16M	N/A	133566-12-032	133566-12-019	133566-12-012	133566-12-016
CABLE ASM-CHASSIS POWER EXT (RED)	16H 16M	N/A	141415-32-034	141415-32-018	141415-32-014	141415-32-017
CABLE ASM-CHASSIS BATTERY (RED)	16H 16M	N/A	141415-32-007	141415-32-007	141415-32-007	141415-32-007
CABLE ASM-STARTER (RED)	1PJ 1PL 1PN	141415-35-025	141415-35-034	141415-35-024	141415-35-017	141415-35-023
CABLE ASM-COACH BATTERY (YEL)	16H 16M 1PJ 1PL 1PN	141416-52-013	141416-52-032	141416-52-011	141416-52-015	141416-52-011
CABLE ASM-COACH BATTERY GND (BLK)	16H 16M 1PJ 1PL 1PN	133567-12-008	133567-12-008	133567-12-008	133567-12-008	133567-12-008
CABLE ASM-CHASSIS BATTERY (PUR)	16H 16M 1PJ 1PL 1PN	141415-12-011	141415-12-026	141415-12-008	141415-12-015	141415-12-008
CABLE ASM-GENERATOR (GRN)	16H 16M 1PJ 1PL 1PN	141415-42-072	141415-42-083	141415-42-079	141415-42-092	141415-42-093
CABLE ASM-GENERATOR GND (BLK)	16H 16M 1PJ 1PL 1PN	133566-12-008	133566-12-007	133566-12-008	-----	-----
LEVELING SYSTEM POWER CABLE (BLU)	60M	141415-22-037	141415-22-049	141415-22-037	141415-22-029	141415-22-035
LEVELING SYSTEM GND CABLE (BLK)	60M	133566-11-008	133566-11-008	133566-11-008	133566-11-008	133566-11-008



E-SERIES

		E30B	E32K	E33T
CABLE ASM-CHASSIS GND EXT (BLK)	16H 16M	133566-12-019	133566-12-031	133566-12-028
CABLE ASM-CHASSIS POWER EXT (RED)	16H 16M	141415-32-018	141415-32-033	141415-32-030
CABLE ASM-CHASSIS BATTERY (RED)	16H 16M	141415-32-007	141415-32-007	141415-32-007
CABLE ASM-COACH BATTERY (YEL)	16H 16M	141416-52-011	141416-52-028	141416-52-025
CABLE ASM-COACH BATTERY GND (BLK)	16H 16M	133567-12-008	133567-12-008	133567-12-008
CABLE ASM-CHASSIS BATTERY (PUR)	16H 16M	141415-12-008	141415-12-026	141415-12-018
CABLE ASM-GENERATOR (GRN)	16H 16M	141415-42-082	141415-42-087	141415-42-092
CABLE ASM-GENERATOR GND (BLK)	16H 16M	133566-12-008	-----	-----
LEVELING SYSTEM POWER CABLE (BLU)	64H	141415-22-037	141415-22-049	141415-22-043
LEVELING SYSTEM GND CABLE (BLK)	64H	133566-11-008	133566-11-008	133566-11-008

- 64H HYDRAULIC LEVELING JACKS
- 60M HYDRAULIC LEVEL JACKS-AUTO
- 1PN WORKHORSE 20,700#
- 1PL WORKHORSE 18,000# GVWR (W18)
- 1PJ WORKHORSE 16,000# GVWR (W16)
- 16M FORD CHASSIS 20,500#/V10 ENG
- 16H FORD CHASSIS 18,000#/V10 ENG
- 265 CODES/STANDARDS-CSA/CMVSS
- 1B1 CODES/STANDARDS USA

WINNEBAGO COPYRIGHT 2006 WINNEBAGO INDUSTRIES, INC.

DFTR	ORIG. DATE
CHKR	ALL DIMENSIONS ARE IN MILLIMETERS
P.E.	
M.E.	FIRST USED
DSNR	08 D & E-SERIES
UNSPECIFIED TOLERANCES ARE:	MATERIAL:
WHOLE DIM (X) : 3	
ONE-PLACE (X.X) : 1.5	
TWO-PLACE (X.XX) : 0.50	
ANGLE : 1°	
THIRD ANGLE PROJECTION	

DO NOT SCALE DRAWING

TITLE: BATTERY INSTL

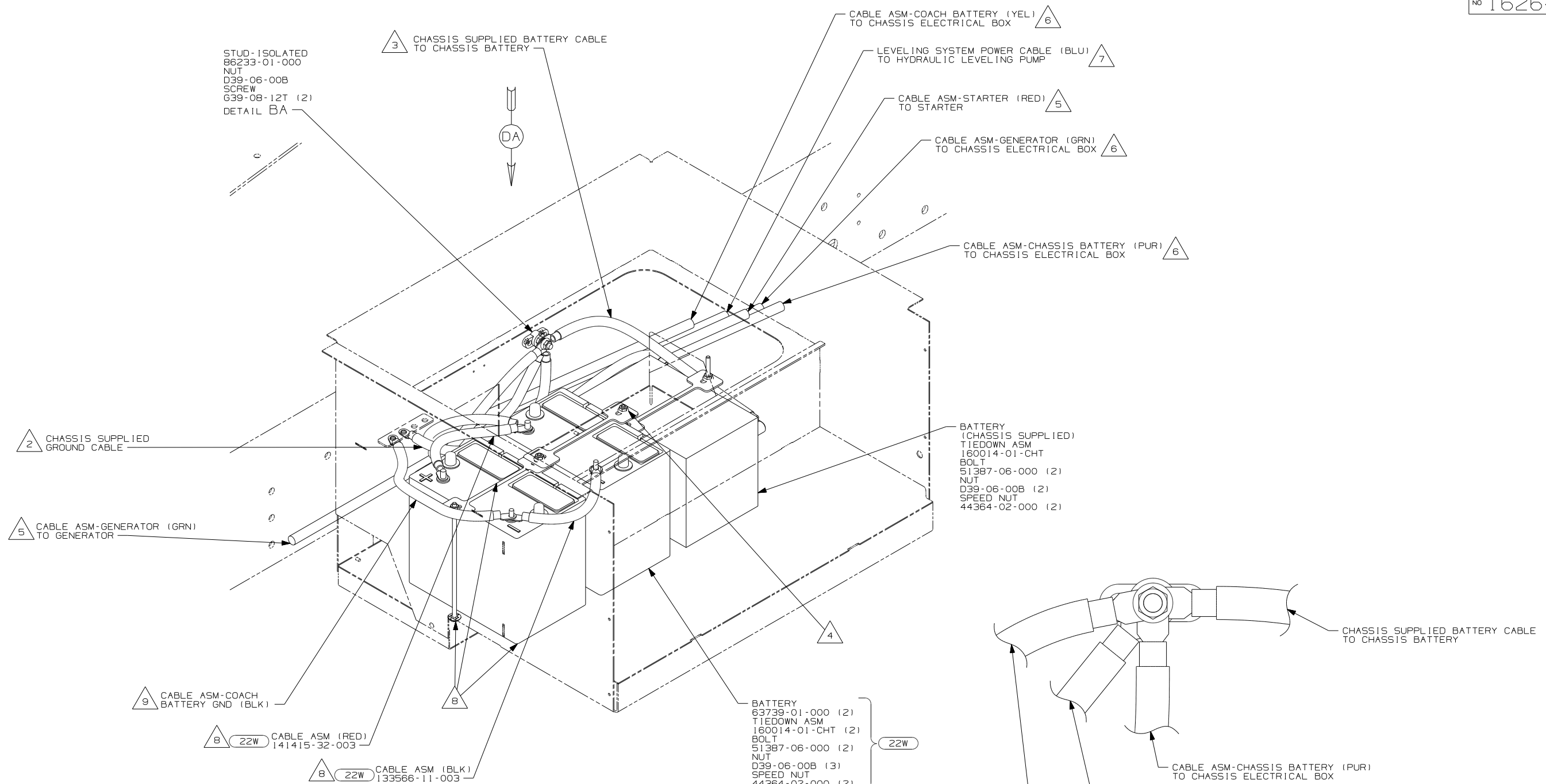
SHEET 1 of 4 PART NO 162641 REV

1 BATTERY CABLES MUST BE INSTALLED TO STARTER MOTOR BEFORE ENGINE WIRING HARNESS AND ROUTED IN SUCH A MANNER AS TO PREVENT ANY POSSIBLE DEGRADATION FROM THE EXHAUST SYSTEM.

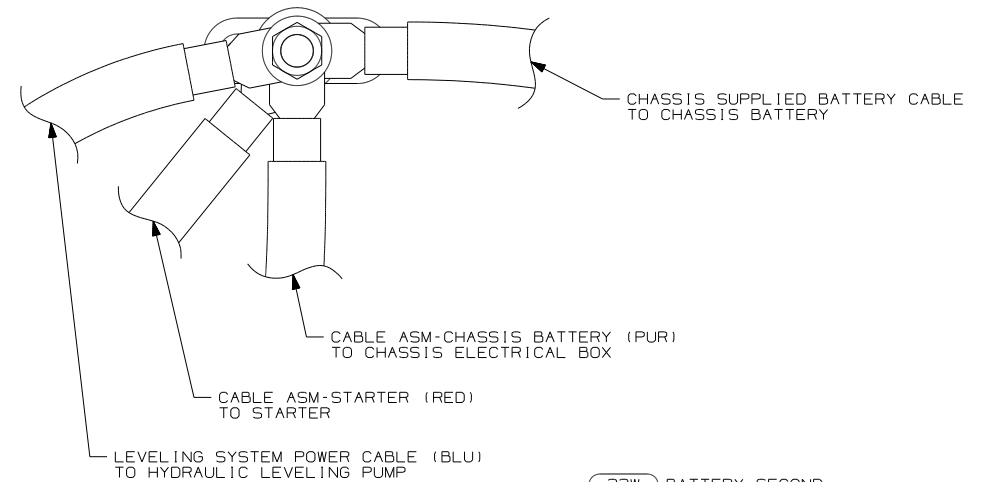
FOR ELECTRICAL TORQUE SPECIFICATIONS SEE DWG NO. 128783-01-000

FOR ELECTRICAL CALLOUTS SEE DWG NO. 121339-01-000

STUD-ISOLATED
86233-01-000
NUT
D39-06-00B
SCREW
639-08-12T (2)
DETAIL BA



BATTERY BOX
(WORKHORSE)



DETAIL BA

- 9 CONNECTS TO CENTER BATTERY WITH 12X
- 8 NOT USED WITH 12X
- 7 SEE LEVELING SYSTEM INSTL FOR ADDITIONAL INFORMATION.
- 6 SEE CHASSIS ELECTRICAL BOX ASM FOR ADDITIONAL INFORMATION.
- 5 SEE WIRING INSTL-CHASSIS FOR ADDITIONAL INFORMATION.
- 4 USE TWO NUTS HERE TO ACCOUNT FOR BATTERY HEIGHT DIFFERENCE.
- 3 LOCATE CHASSIS SUPPLIED POSITIVE CABLE, REDUCE LENGTH TO 700MM AND ADD TERMINAL 68070-01-000 TO THE CUT END.
- 2 LOCATE CHASSIS SUPPLIED GROUND CABLE, REDUCE LENGTH TO 700MM AND ADD TERMINAL 8348-01-000 TO THE CUT END.
- 1 SUPPLIED WITH CHASSIS.

NOTES:

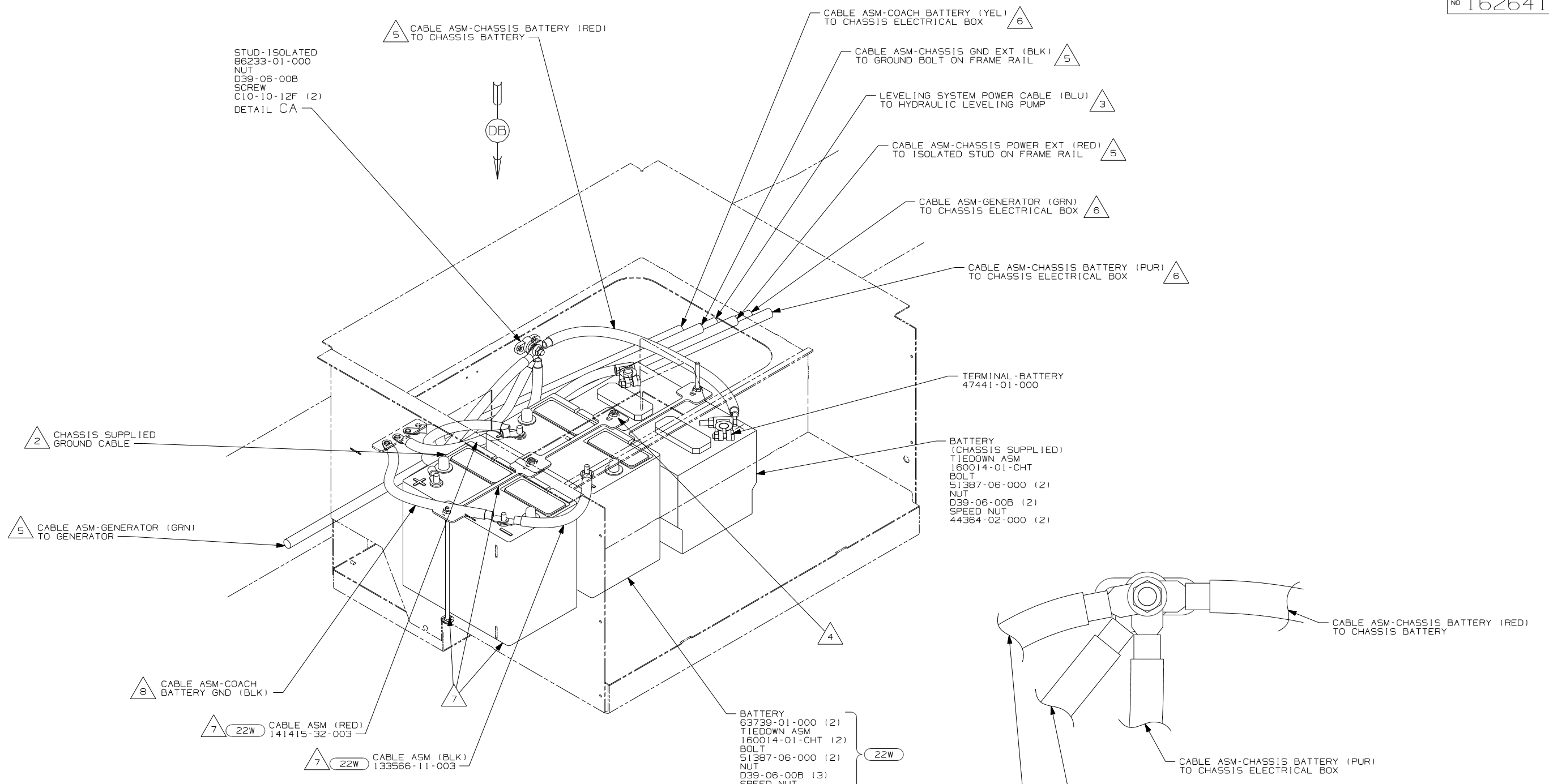
- BATTERY 63739-01-000 (2)
- TIEDOWN ASM 160014-01-000 (2)
- BOLT 51387-06-000 (2)
- NUT D39-06-00B (3)
- SPEED NUT 44364-02-000 (2)
- BATTERY 63739-01-000
- TIEDOWN ASM 160014-01-000
- BOLT 51387-06-000
- NUT D39-06-00B (2)
- SPEED NUT 44364-02-000

- 22W BATTERY-SECOND
- 12X BATTERY-ONE
- 265 CODES/STANDARDS-CSA/CMVSS
- 1B1 CODES/STANDARDS USA

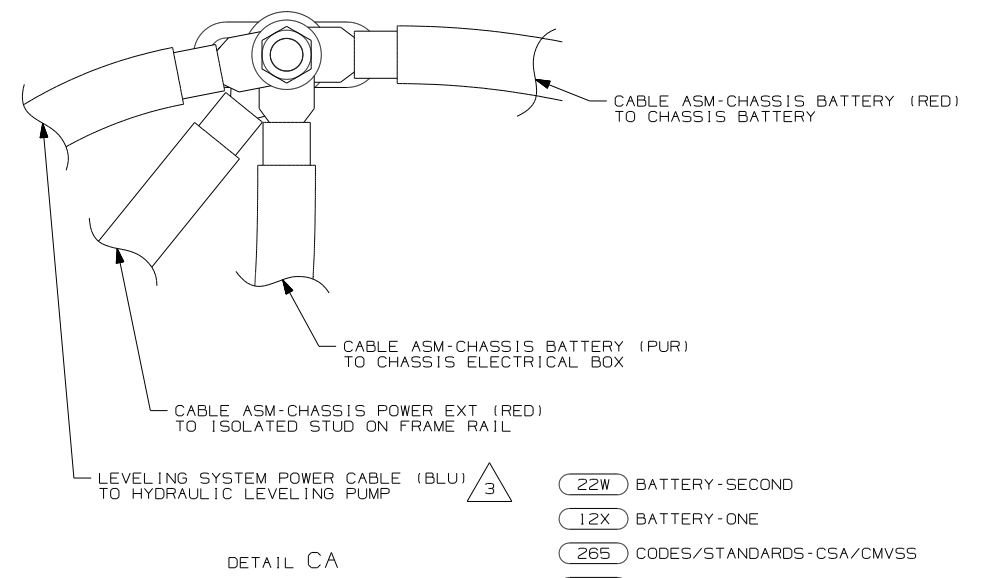
FOR ELECTRICAL TORQUE SPECIFICATIONS SEE DWG NO. 128783-01-000

FOR ELECTRICAL CALLOUTS SEE DWG NO. 121339-01-000

FIRST USED	
08 D & E-SERIES	
DO NOT SCALE DRAWING	
TITLE: BATTERY INSTL	
SHEET 2	PART NO 162641



BATTERY BOX (FORD)



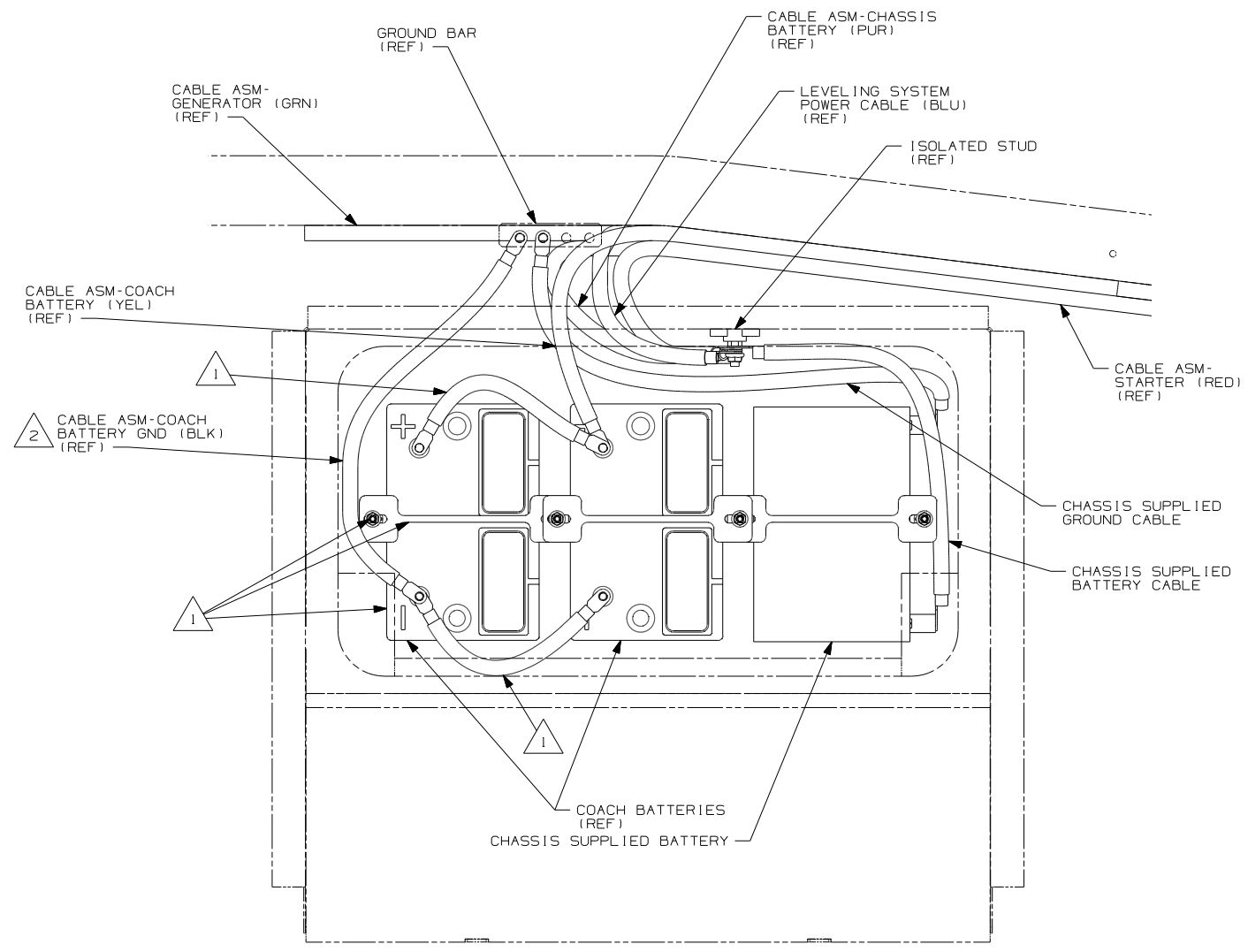
- 8 CONNECTS TO CENTER BATTERY WITH 12X
- 7 NOT USED WITH 12X
- 6 SEE CHASSIS ELECTRICAL BOX ASM FOR ADDITIONAL INFORMATION.
- 5 SEE WIRING INSTL-CHASSIS FOR ADDITIONAL INFORMATION.
- 4 USE TWO NUTS HERE TO ACCOUNT FOR BATTERY HEIGHT DIFFERENCE.
- 3 SEE LEVELING SYSTEM INSTL FOR ADDITIONAL INFORMATION.
- 2 LOCATE CHASSIS SUPPLIED GROUND CABLE, REDUCE LENGTH TO 700MM AND ADD TERMINAL 8348-01-000 TO THE CUT END.
- 1 SUPPLIED WITH CHASSIS.

- 22W BATTERY-SECOND
- 12X BATTERY-ONE
- 265 CODES/STANDARDS-CSA/CMVSS
- 1B1 CODES/STANDARDS USA

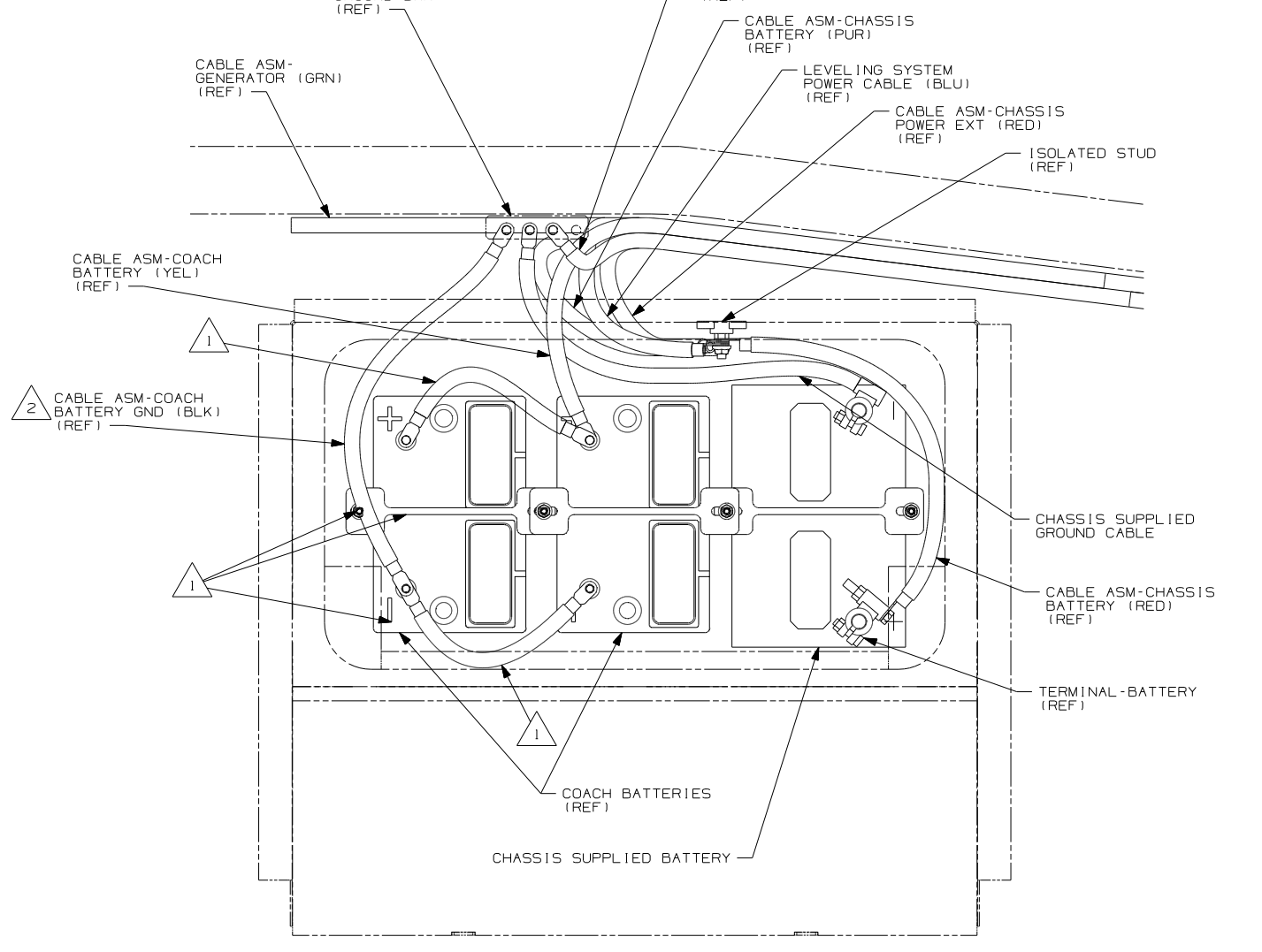
FOR ELECTRICAL TORQUE SPECIFICATIONS SEE DWG NO. 128783-01-000

FOR ELECTRICAL CALLOUTS SEE DWG NO. 121339-01-000

FIRST USED	
08 D & E-SERIES	
DO NOT SCALE DRAWING	
TITLE: BATTERY INSTL	
SHEET 3	PART NO 162641
REV	



VIEW DA
(WORKHORSE)



VIEW DB
(FORD)

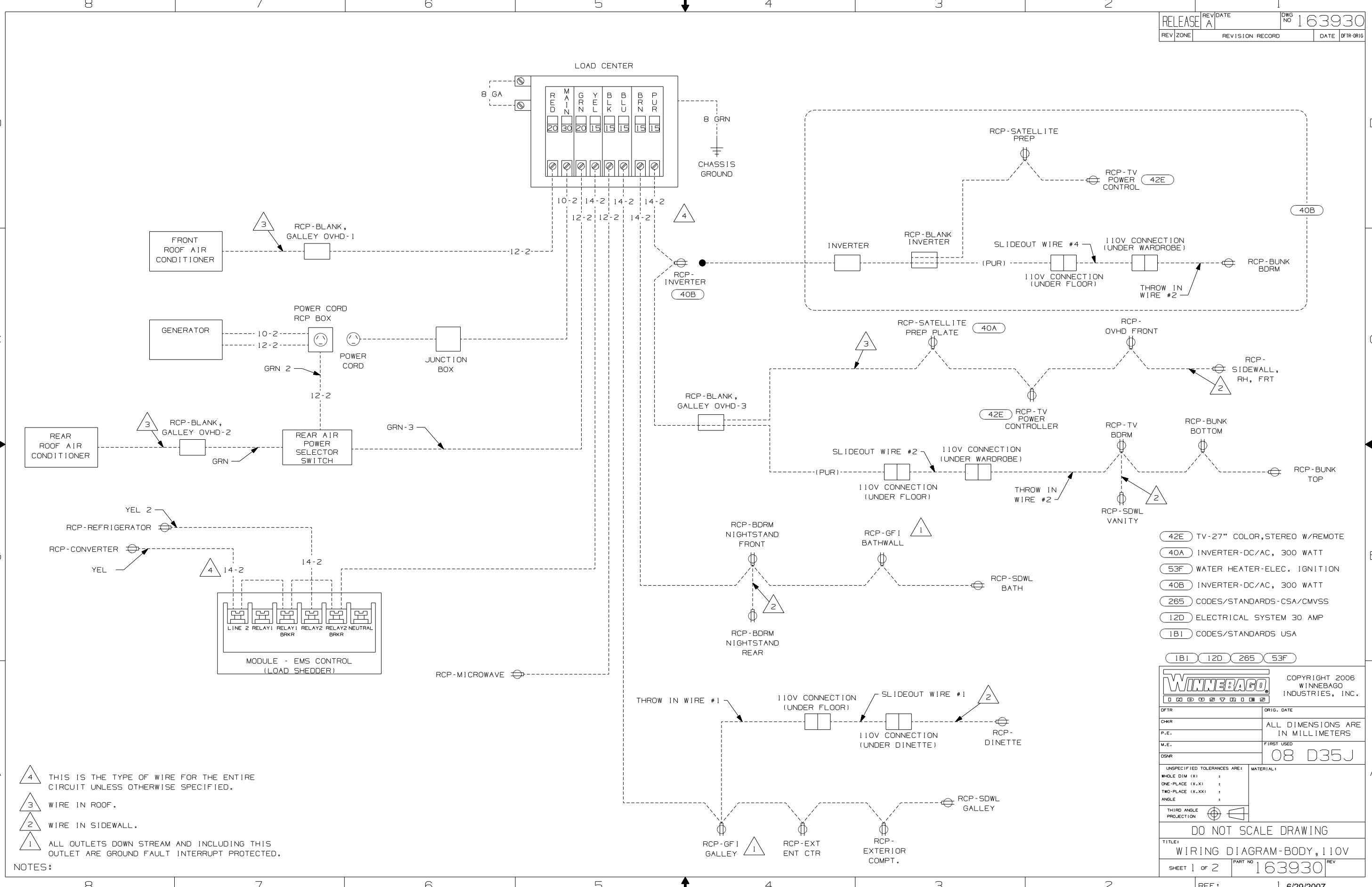
NOTES:
 △2 CONNECTS TO CENTER BATTERY WITH 12X
 △1 NOT USED WITH 12X

FOR ELECTRICAL TORQUE SPECIFICATIONS SEE DWG NO. 128783-01-000

FOR ELECTRICAL CALLOUTS SEE DWG NO. 121339-01-000

- 12X BATTERY-ONE
- 265 CODES/STANDARDS-CSA/CMVSS
- 1B1 CODES/STANDARDS USA

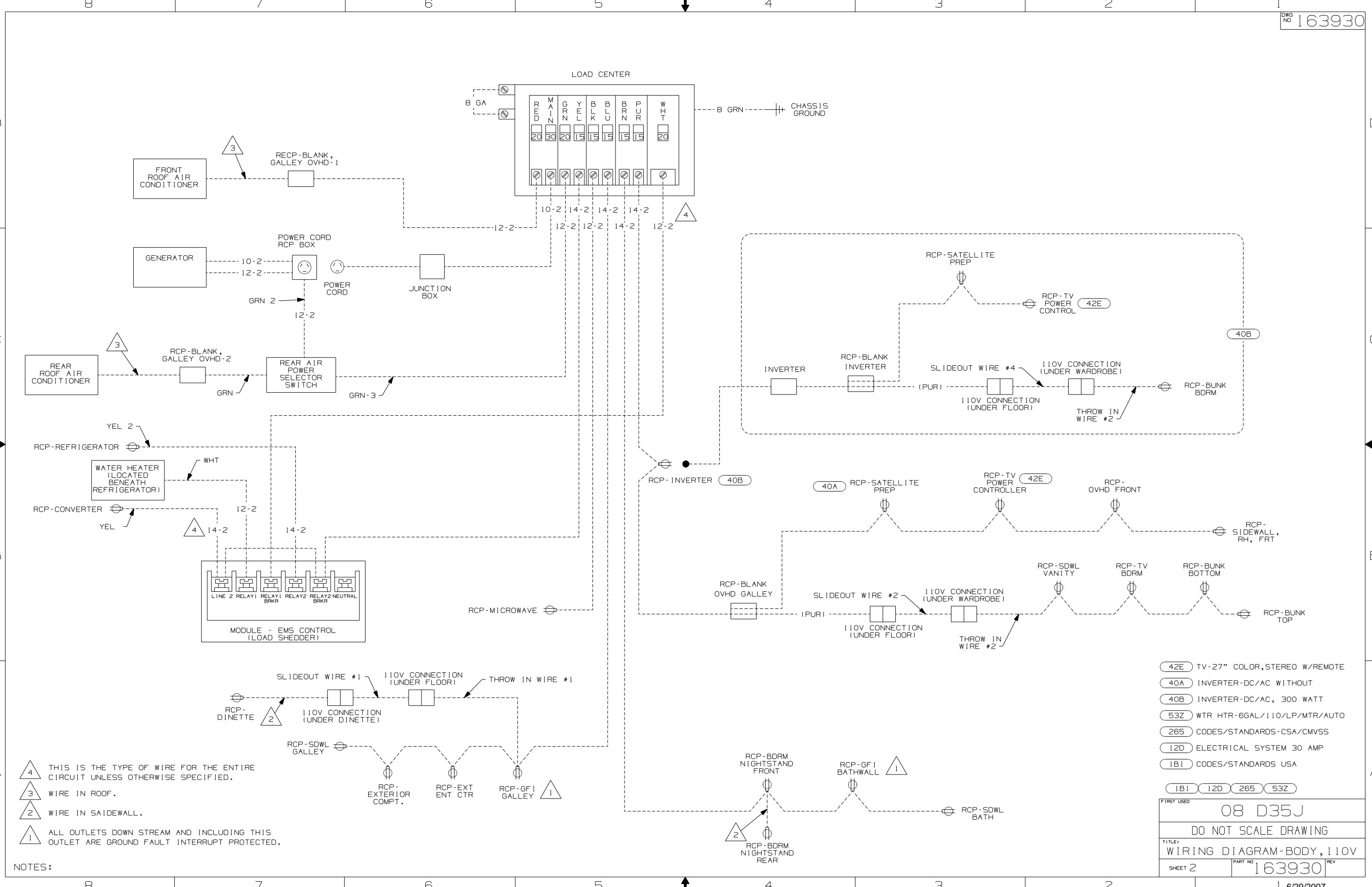
1B1 265	
FIRST USED	
08 D & E-SERIES	
DO NOT SCALE DRAWING	
TITLE: BATTERY INSTL	
SHEET 4	PART NO 162641 REV



- NOTES:
- △ 4 THIS IS THE TYPE OF WIRE FOR THE ENTIRE CIRCUIT UNLESS OTHERWISE SPECIFIED.
 - △ 3 WIRE IN ROOF.
 - △ 2 WIRE IN SIDEWALL.
 - △ 1 ALL OUTLETS DOWN STREAM AND INCLUDING THIS OUTLET ARE GROUND FAULT INTERRUPT PROTECTED.

- 42E TV-27" COLOR, STEREO W/REMOTE
- 40A INVERTER-DC/AC, 300 WATT
- 53F WATER HEATER-ELEC. IGNITION
- 40B INVERTER-DC/AC, 300 WATT
- 265 CODES/STANDARDS-CSA/CMVSS
- 12D ELECTRICAL SYSTEM 30 AMP
- 1B1 CODES/STANDARDS USA

WINNEBAGO		COPYRIGHT 2006 WINNEBAGO INDUSTRIES, INC.	
DFTR	ORIG. DATE	ALL DIMENSIONS ARE IN MILLIMETERS	
CHKR		FIRST USED	
P.E.		08 D35J	
M.E.		UNSPECIFIED TOLERANCES ARE:	
DSNR		MATERIAL:	
		WHOLE DIM (X)	:
		ONE-PLACE (X.X)	:
		TWO-PLACE (X.XX)	:
		ANGLE	:
		THIRD ANGLE PROJECTION	⊕
DO NOT SCALE DRAWING			
TITLE: WIRING DIAGRAM-BODY, 110V			
SHEET 1 OF 2	PART NO	163930	REV
REF:	1 6/29/2007		



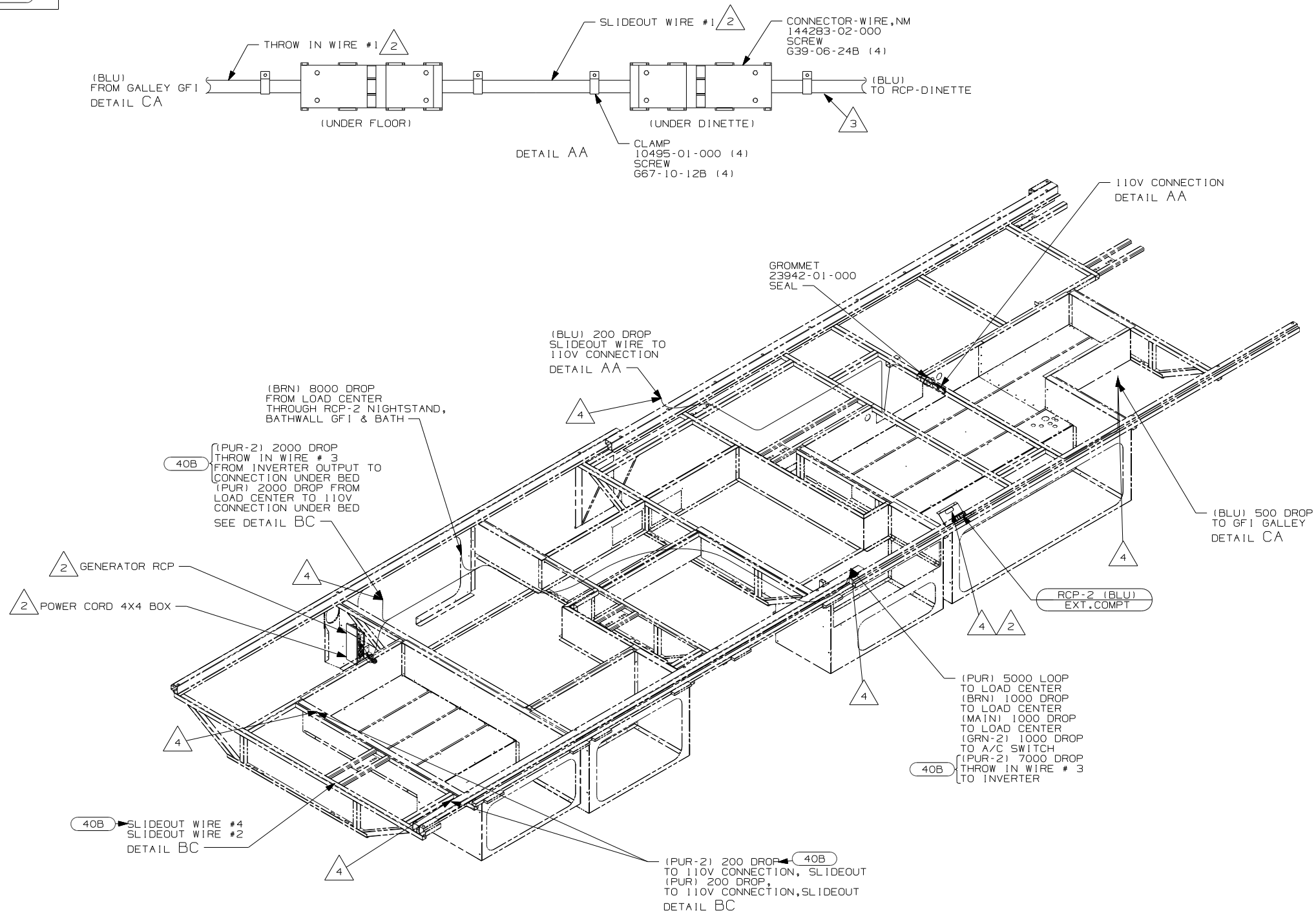
- NOTES:
- △ 4 THIS IS THE TYPE OF WIRE FOR THE ENTIRE CIRCUIT UNLESS OTHERWISE SPECIFIED.
 - △ 3 WIRE IN ROOF.
 - △ 2 WIRE IN SAIDEWALL.
 - △ 1 ALL OUTLETS DOWN STREAM AND INCLUDING THIS OUTLET ARE GROUND FAULT INTERRUPT PROTECTED.

- 42E TV-27" COLOR, STEREO W/REMOTE
- 40A INVERTER-DC/AC WITHOUT
- 40B INVERTER-DC/AC, 300 WATT
- 53Z WTR HTR-6GAL/110V/LP/MTR/AUTO
- 265 CODES/STANDARDS-CSA/CMVSS
- 12D ELECTRICAL SYSTEM 30 AMP
- 1B1 CODES/STANDARDS USA

FIRST USED	08 D35J		
TITLE	DO NOT SCALE DRAWING		
	WIRING DIAGRAM-BODY, 110V		
SHEET 2	PART NO	163930	REV

DRAWING NO.	FEATURE
163928-11	(1B1) (12D)
163928-15	(265) (12D)

RELEASE	REV DATE	DWG NO
A		163928
REV ZONE	REVISION RECORD	DATE
		DFTR-016



5. ALL WIRES TO BE SECURED WITH CLAMP 10495 OR 10497 OR WIRE TIE 8343 OR 108046 EVERY 600MM, USE SCREW G67-XX-XXX OR G56-XX-XXX AS APPROPRIATE FOR INSTALLATION.
- 4 WIRE ROUTED THROUGH FLOOR IN THIS AREA.
 - 3 WIRE IN SIDEWALL.
 - 2 SEE LOAD CENTER/ATS FOR ADDITIONAL INFORMATION.
1. WIRES ROUTED UNDER FLOOR.
- NOTES:

- 40B INVERTER-DC/AC, 300 WATT
- 12D ELECTRICAL SYSTEM 30 AMP
- 265 CODES/STANDARDS-CSA/CMVSS
- 1B1 CODES/STANDARDS USA

WINNEBAGO COPYRIGHT 2006 WINNEBAGO INDUSTRIES, INC.

DFTR	ORIG. DATE
CHKR	ALL DIMENSIONS ARE IN MILLIMETERS
P.E.	
M.E.	FIRST USED
DSNR	08 D35J

UNSPECIFIED TOLERANCES ARE: MATERIAL:

WHOLE DIM (X)	: 3
ONE-PLACE (X.X)	: 1.5
TWO-PLACE (X.XX)	: 0.50
ANGLE	: 1°

THIRD ANGLE PROJECTION

FOR ELECTRICAL TORQUE SPECIFICATIONS SEE DWG NO. 128783-01-000

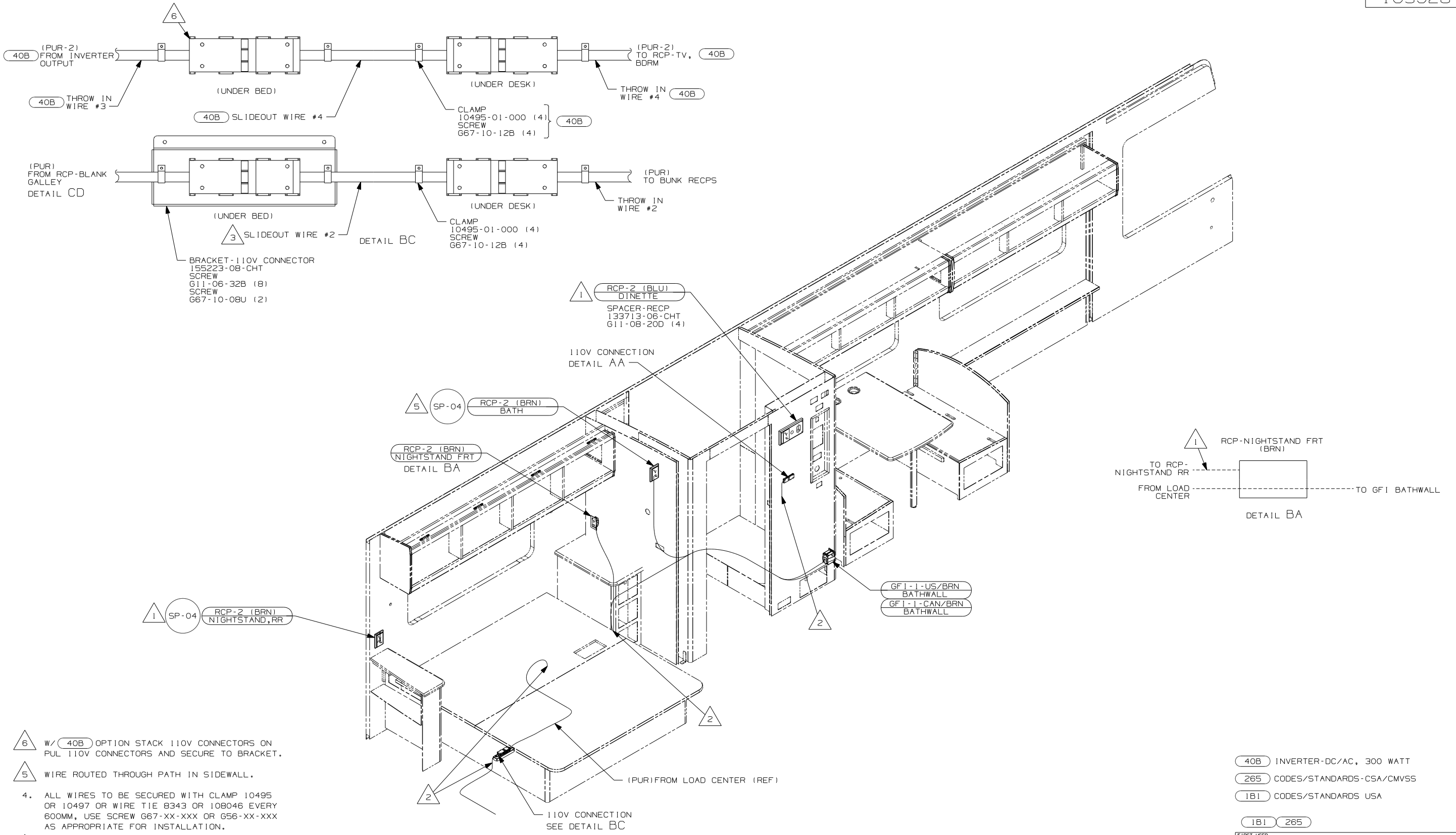
(X-X) FOR ELECTRICAL CALLOUTS SEE DWG NO. 121339-01-000

DO NOT SCALE DRAWING

TITLE: WIRING INSTL-BODY, 110V

SHEET 1 of 4 PART NO 163928 REV

REF: 1 3/19/2008



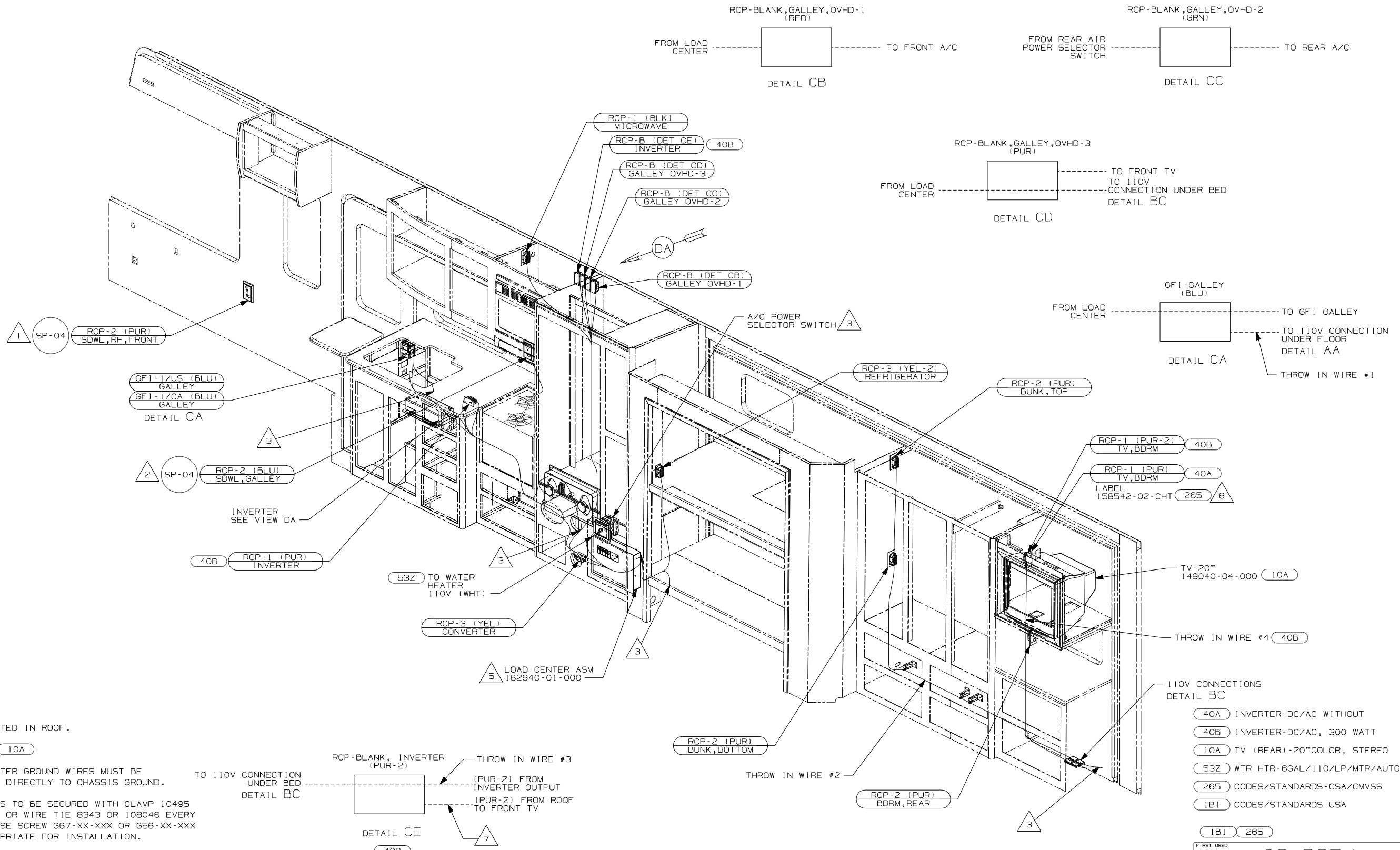
- NOTES:
- 6 W/ 40B OPTION STACK 110V CONNECTORS ON PUL 110V CONNECTORS AND SECURE TO BRACKET.
 - 5 WIRE ROUTED THROUGH PATH IN SIDEWALL.
 - 4. ALL WIRES TO BE SECURED WITH CLAMP 10495 OR 10497 OR WIRE TIE 8343 OR 108046 EVERY 600MM, USE SCREW G67-XX-XXX OR G56-XX-XXX AS APPROPRIATE FOR INSTALLATION.
 - 3 SEE LOAD CENTER/ATS FOR ADDITIONAL INFORMATION.
 - 2 WIRE ROUTES THRU FLOOR IN THIS AREA.
 - 1 WIRE ROUTED IN SIDEWALL

- 40B INVERTER-DC/AC, 300 WATT
- 265 CODES/STANDARDS-CSA/CMVSS
- 1B1 CODES/STANDARDS USA

FIRST USED	
08 D35J	
DO NOT SCALE DRAWING	
TITLE: WIRING INSTL-BODY, 110V	
SHEET 2	PART NO 163928 REV

FOR ELECTRICAL TORQUE SPECIFICATIONS SEE DWG NO. 128783-01-000

FOR ELECTRICAL CALLOUTS SEE DWG NO. 121339-01-000



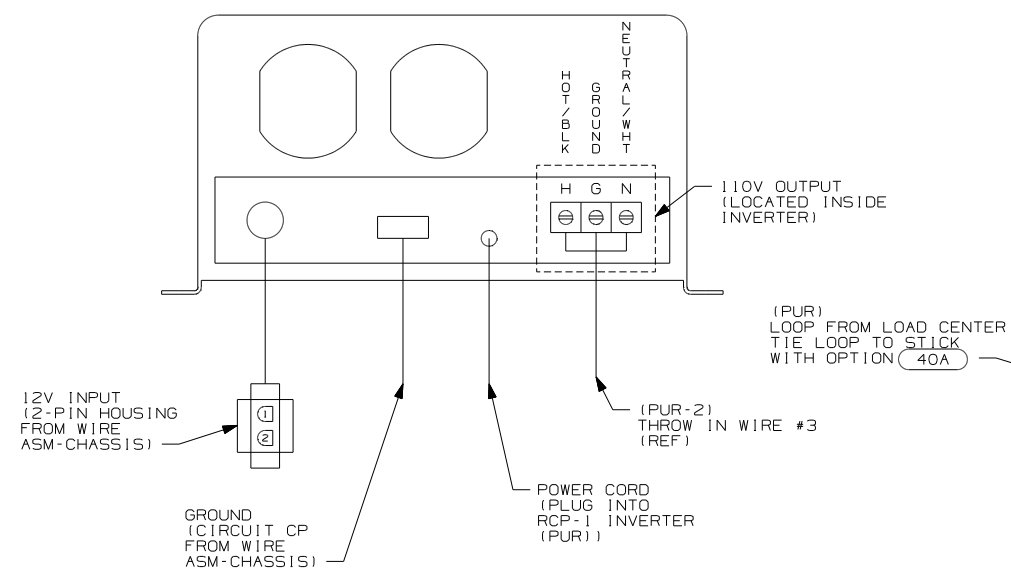
- NOTES:
- 7 WIRE ROUTED IN ROOF.
 - 6 WITHOUT 10A
 - 5 LOAD CENTER GROUND WIRES MUST BE ATTACHED DIRECTLY TO CHASSIS GROUND.
 - 4. ALL WIRES TO BE SECURED WITH CLAMP 10495 OR 10497 OR WIRE TIE 8343 OR 108046 EVERY 600MM, USE SCREW G67-XX-XXX OR G56-XX-XXX AS APPROPRIATE FOR INSTALLATION.
 - 3 WIRES ROUTE THRU FLOOR IN THIS AREA.
 - 2 ROUTE WIRE THRU SIDEWALL.
 - 1 WIRE ROUTED IN SIDEWALL.

- 40A INVERTER-DC/AC WITHOUT
- 40B INVERTER-DC/AC, 300 WATT
- 10A TV (REAR) -20"COLOR, STEREO
- 53Z WTR HTR-66AL/110V/LP/MTR/AUTO
- 265 CODES/STANDARDS-CSA/CMVSS
- 1B1 CODES/STANDARDS USA

FIRST USED	08 D35J
DO NOT SCALE DRAWING	
TITLE:	WIRING INSTL-BODY, 110V
SHEET 3	PART NO 163928 REV

FOR ELECTRICAL TORQUE SPECIFICATIONS SEE DWG NO. 128783-01-000

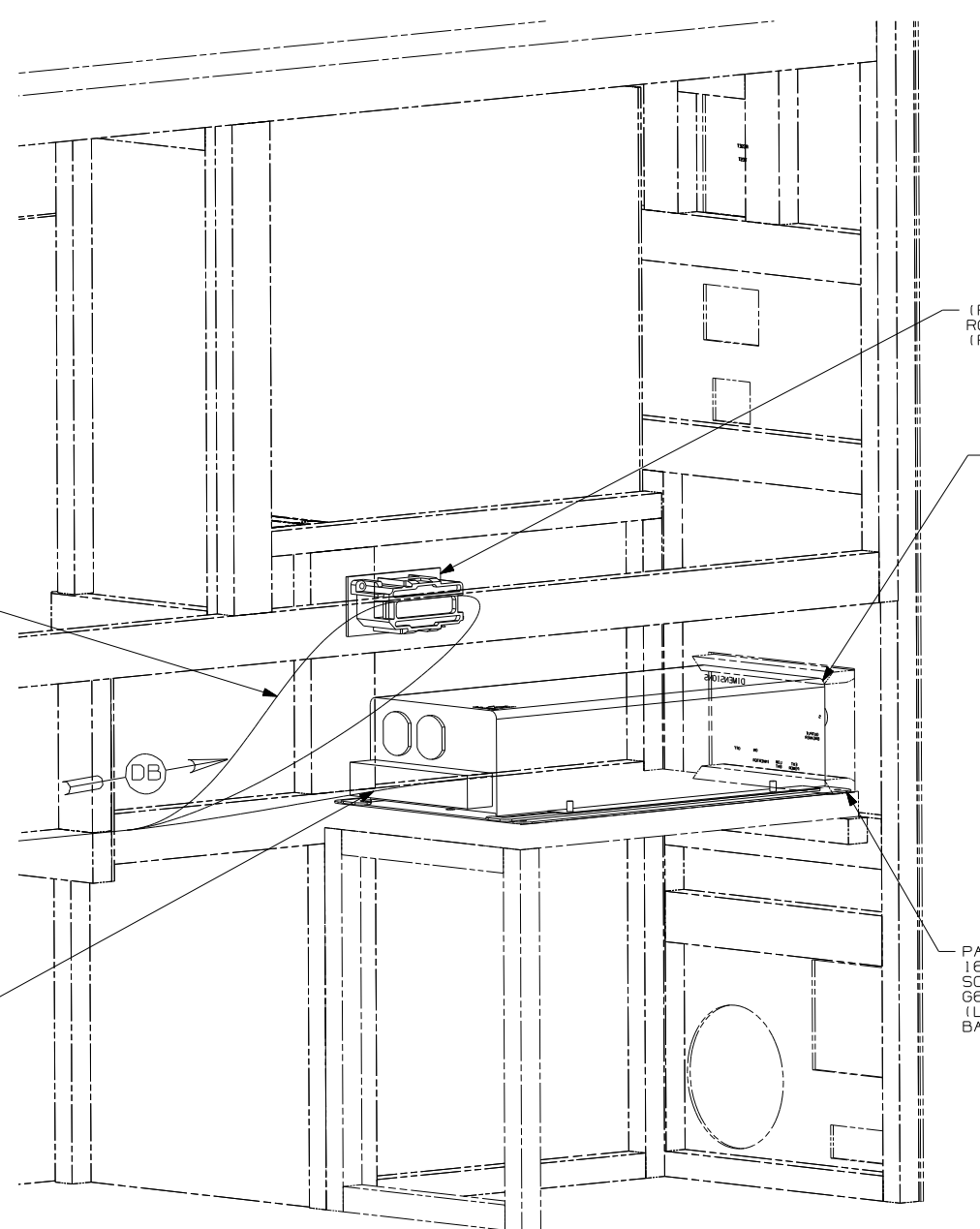
X-X FOR ELECTRICAL CALLOUTS SEE DWG NO. 121339-01-000



DETAIL DB 40B

40B (PUR-2) THROW IN WIRE #3 (REF)

(PUR) LOOP FROM LOAD CENTER TIE LOOP TO STICK WITH OPTION 40A



VIEW DA

(PUR) RCP-1 INVERTER 40B (REF)

INVERTER-300 WATT 9904B-04-000 40B

PANEL ASM-INVERTER 16548B-01-CHT SCREW G67-08-12B (6) (LINE UP WITH PLYWOOD BASE ON CABINET) 40B

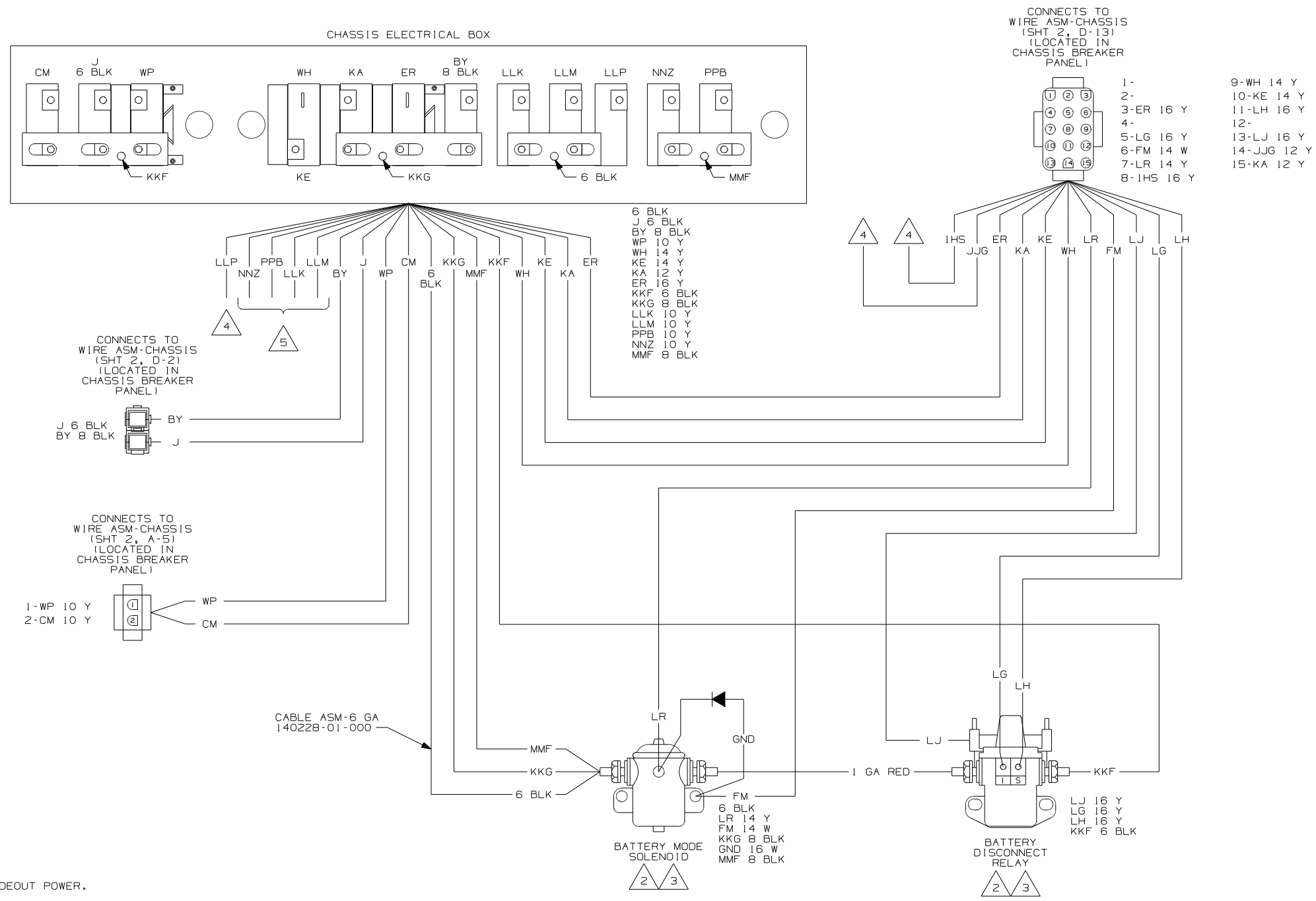
- 40A INVERTER-DC/AC WITHOUT
- 40B INVERTER-DC/AC, 300 WATT
- 265 CODES/STANDARDS-CSA/CMVSS
- 1B1 CODES/STANDARDS USA

1B1 265

FOR ELECTRICAL TORQUE SPECIFICATIONS SEE DWG NO. 128783-01-000

X-X FOR ELECTRICAL CALLOUTS SEE DWG NO. 121339-01-000

FIRST USED	08 D35J
TITLE	DO NOT SCALE DRAWING
	WIRING INSTL-BODY, 110V
SHEET 4	PART NO 163928 REV



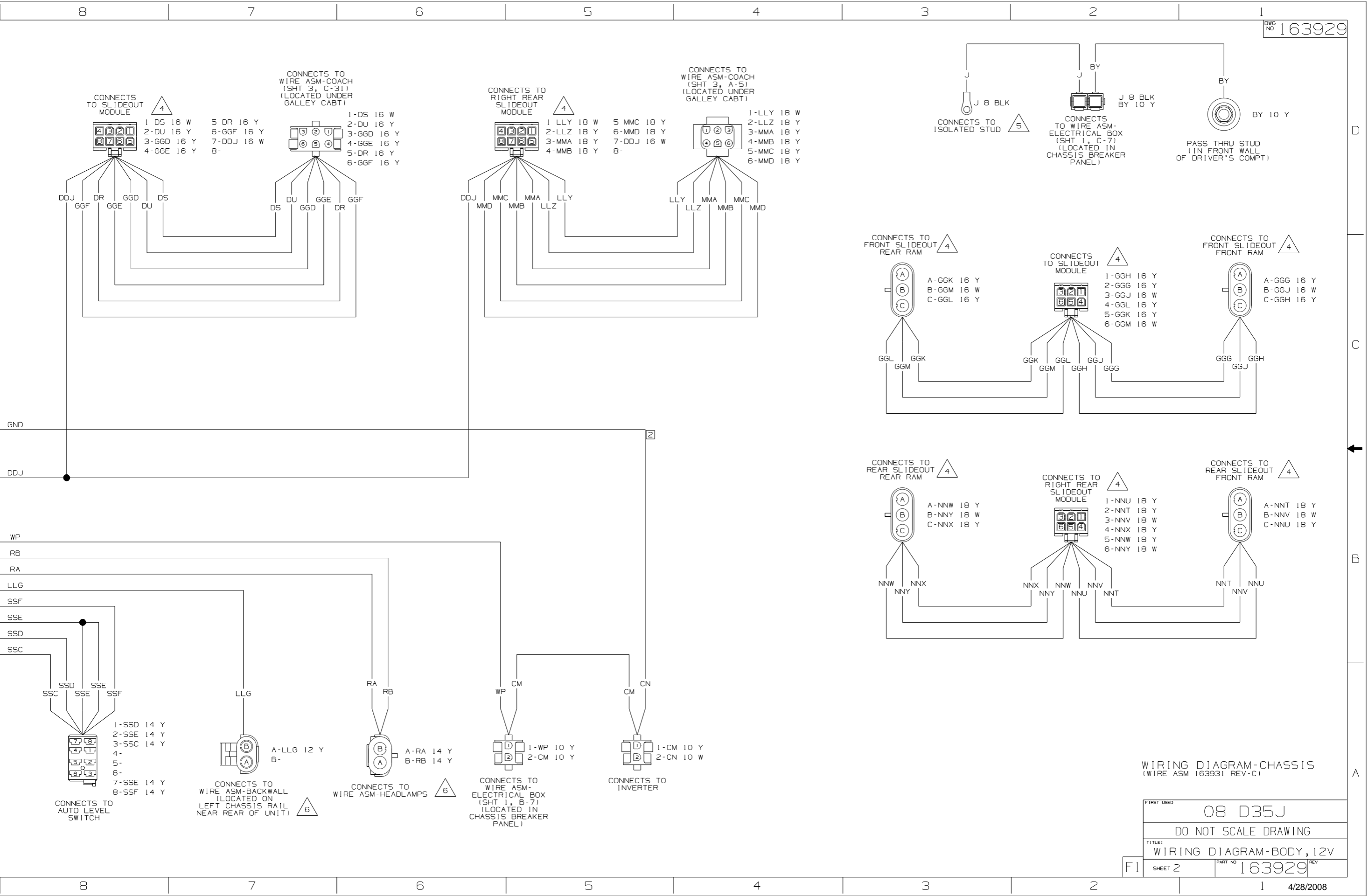
- 5 WIRE IS FROM WIRE ASM-SLIDEOUT POWER.
- 4 CIRCUIT IS NOT USED.
- 3 SEE WIRING DIAGRAM-AUTO FOR ADDITIONAL INFORMATION.
- 2 SEE MANUFACTURERS DIAGRAM FOR ADDITIONAL INFORMATION.

1. SPLICES ARE THEORETICAL AND MAY DIFFER IN THE HARNESS.

NOTES:

WIRING DIAGRAM-ELECTRICAL BOX
(WIRE ASM 124125-03 REV-V)

WINNEBAGO		COPYRIGHT 2006 WINNEBAGO INDUSTRIES, INC.	
DFTR	ORIG. DATE	ALL DIMENSIONS ARE IN MILLIMETERS	
CHKR		FIRST USED	
P.E.		08 D35J	
M.E.		UNSPECIFIED TOLERANCES ARE:	
DSNR		MATERIAL:	
		WHOLE DIM (X)	:
		ONE-PLACE (X.X)	:
		TWO-PLACE (X.XX)	:
		ANGLE	:
		THIRD ANGLE PROJECTION	⊕
DO NOT SCALE DRAWING			
TITLE: WIRING DIAGRAM-BODY, 12V			
SHEET 1 of 7	PART NO	163929	REV
REF:	1 4/28/2008		



CONNECTS TO SLIDEOUT MODULE

- 1-DS 16 W
- 2-DU 16 Y
- 3-GGD 16 Y
- 4-GGE 16 Y
- 5-DR 16 Y
- 6-GGF 16 Y
- 7-DDJ 16 W
- 8-

CONNECTS TO WIRE ASM-COACH (SHT 3, C-31) (LOCATED UNDER GALLEY CABT)

- 1-DS 16 W
- 2-DU 16 Y
- 3-GGD 16 Y
- 4-GGE 16 Y
- 5-DR 16 Y
- 6-GGF 16 Y

CONNECTS TO RIGHT REAR SLIDEOUT MODULE

- 1-LLY 18 W
- 2-LLZ 18 Y
- 3-MMA 18 Y
- 4-MMB 18 Y
- 5-MMC 18 Y
- 6-MMD 18 Y

CONNECTS TO WIRE ASM-COACH (SHT 3, A-5) (LOCATED UNDER GALLEY CABT)

- 1-LLY 18 W
- 2-LLZ 18 Y
- 3-MMA 18 Y
- 4-MMB 18 Y
- 5-MMC 18 Y
- 6-MMD 18 Y

CONNECTS TO ISOLATED STUD

CONNECTS TO WIRE ASM-ELECTRICAL BOX (SHT 1, C-7) (LOCATED IN CHASSIS BREAKER PANEL)

PASS THRU STUD (IN FRONT WALL OF DRIVER'S COMPT)

CONNECTS TO FRONT SLIDEOUT REAR RAM

- A-GGK 16 Y
- B-GGM 16 W
- C-GGL 16 Y

CONNECTS TO SLIDEOUT MODULE

- 1-GGH 16 Y
- 2-GGG 16 Y
- 3-GGJ 16 W
- 4-GGL 16 Y
- 5-GGK 16 Y
- 6-GGM 16 W

CONNECTS TO FRONT SLIDEOUT FRONT RAM

- A-GGG 16 Y
- B-GGJ 16 W
- C-GGH 16 Y

CONNECTS TO REAR SLIDEOUT REAR RAM

- A-NNW 18 Y
- B-NNY 18 W
- C-NNX 18 Y

CONNECTS TO RIGHT REAR SLIDEOUT MODULE

- 1-NNU 18 Y
- 2-NNT 18 Y
- 3-NNV 18 W
- 4-NNX 18 Y
- 5-NNW 18 Y
- 6-NNY 18 W

CONNECTS TO REAR SLIDEOUT FRONT RAM

- A-NNT 18 Y
- B-NNV 18 W
- C-NNU 18 Y

CONNECTS TO AUTO LEVEL SWITCH

CONNECTS TO WIRE ASM-BACKWALL (LOCATED ON LEFT CHASSIS RAIL NEAR REAR OF UNIT)

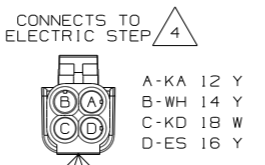
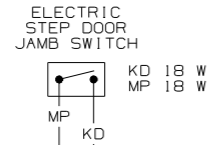
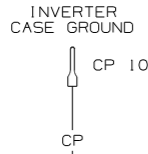
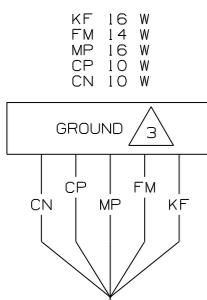
CONNECTS TO WIRE ASM-HEADLAMPS

CONNECTS TO WIRE ASM-ELECTRICAL BOX (SHT 1, B-7) (LOCATED IN CHASSIS BREAKER PANEL)

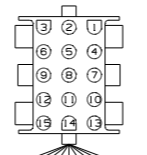
CONNECTS TO INVERTER

WIRING DIAGRAM-CHASSIS (WIRE ASM 163931 REV-C)

FIRST USED	08 D35J
TITLE	DO NOT SCALE DRAWING
TITLE	WIRING DIAGRAM-BODY, 12V
SHEET 2	PART NO 163929

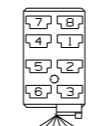


CONNECTS TO WIRE ASM-ELECTRICAL BOX (SHT 1, D-3) (LOCATED IN CHASSIS BREAKER PANEL)



- 1- 9-WH 14 Y
- 2- 10-KE 14 Y
- 3-ER 16 Y
- 4- 11-LH 16 Y
- 5-LG 16 Y
- 6-FM 14 W
- 7-LR 14 Y
- 8- 12- 13-LJ 16 Y
- 14- 15-KA 12 Y

CONNECTS TO BATTERY DISCONNECT SWITCH



- 1-KF 16 W
- 2-LH 16 Y
- 3-LJ 16 Y
- 4-LJ 16 Y
- 5-LG 16 Y
- 6-KF 16 W
- 7-
- 8-

D

C

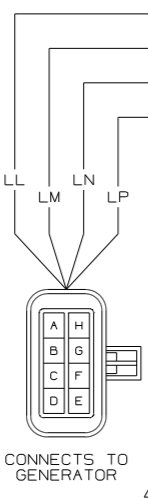
B

A

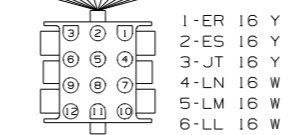


NOTES:

- 6 SEE WIRING DIAGRAM-AUTO LAMPS FOR ADDITIONAL INFORMATION.
- 5 SEE WIRING DIAGRAM-AUTO FOR ADDITIONAL INFORMATION.
- 4 SEE MANUFACTURERS DIAGRAM FOR ADDITIONAL INFORMATION.
- 3 GROUNDS ARE SHOWN AS A SINGLE LINE FOR EASE IN TRACING. EACH GROUND CIRCUIT IS SEPERATE IN THE HARNESS.
- 2 NOT A SPLICE POINT. INDICATES ENTRY INTO WIRING HARNESS.
- 1. SPLICES ARE THEORETICAL AND MAY DIFFER IN THE HARNESS.

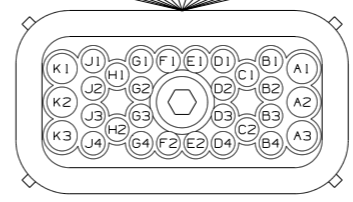
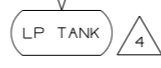


- A-LN 16 W
- B-LM 16 W
- C-LL 16 W
- D-
- E-F-LP 16 Y
- G-
- H-



CONNECTS TO WIRE ASM-COACH (SHT 3, D-28) (LOCATED IN BASE OF GALLEY CABT.)

- 1-ER 16 Y
- 2-ES 16 Y
- 3-JT 16 Y
- 4-LN 16 W
- 5-LM 16 W
- 6-LL 16 W
- 7-LP 16 Y
- 8-DY 16 W
- 9-KS 14 Y
- 10-KU 14 Y
- 11-MM 14 Y
- 12-DDJ 16 W

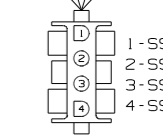


CONNECTS TO WIRE ASM-IP,MAIN (LOCATED ON FLOOR BY DRIVER'S ISLAND)

- A1-WP 10 Y
- A2-
- A3-LLG 12 Y
- B1-
- B2-
- B3-
- B4-
- C1-KE 14 Y
- C2-RB 14 Y
- D1-

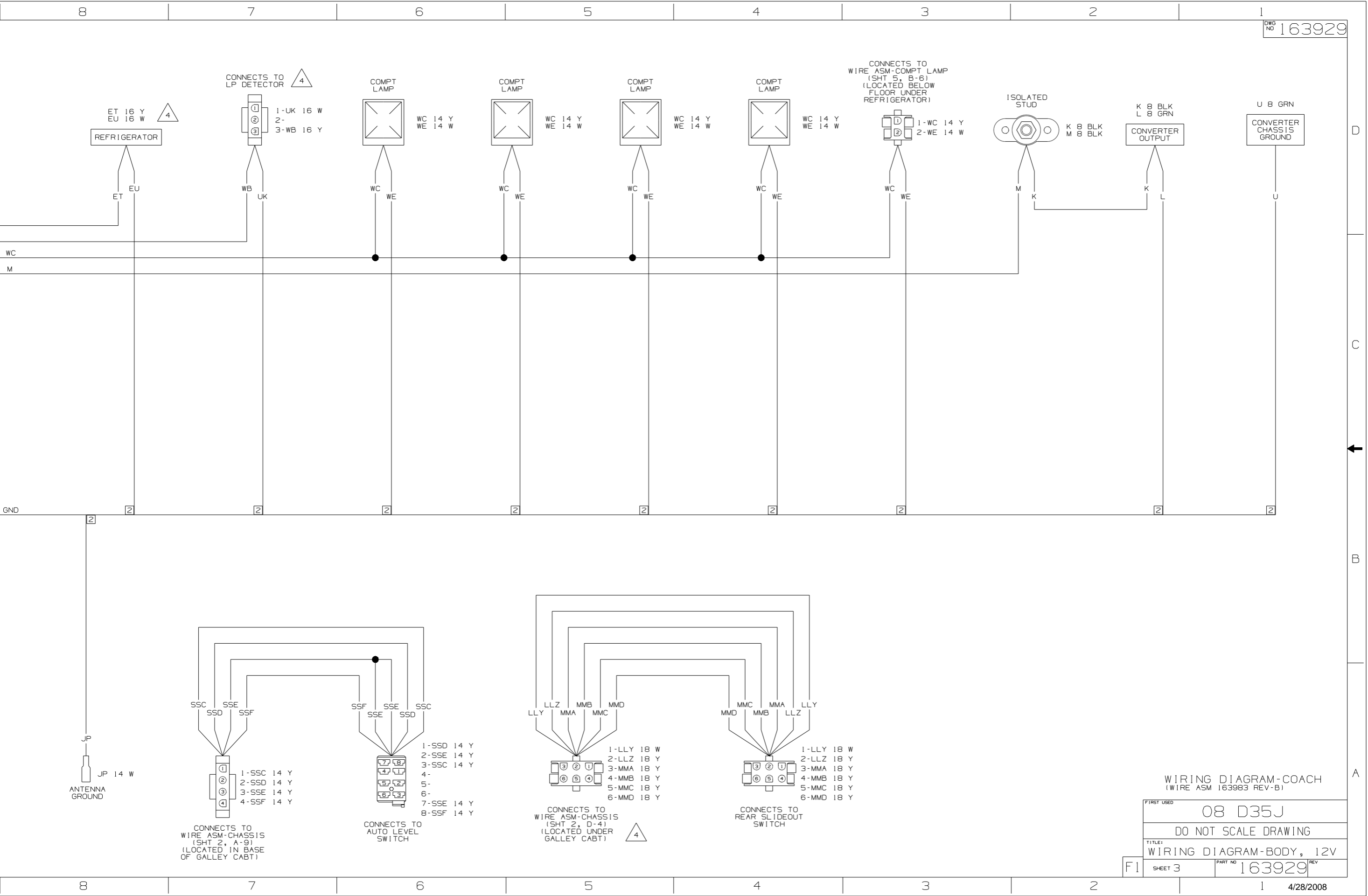
- D2-
- D3-
- D4-
- E1-MM 14 Y
- E2-DY 16 W
- F1-SSC 14 Y
- F2-SSD 14 Y
- G1-SSE 14 Y
- G2-SSF 14 Y
- G3-LR 14 Y

- G4-
- H1-KU 14 Y
- H2-
- J1-KS 14 Y
- J2-RA 14 Y
- J3-
- J4-
- K1-
- K2-
- K3-



CONNECTS TO WIRE ASM-COACH (SHT 3, A-7) (LOCATED UNDER GALLEY CABT.)

- 1-SSC 14 Y
- 2-SSD 14 Y
- 3-SSE 14 Y
- 4-SSF 14 Y



ET 16 Y
EU 16 W

REFRIGERATOR

CONNECTS TO LP DETECTOR

1-UK 16 W
2-
3-WB 16 Y

COMPT LAMP

WC 14 Y
WE 14 W

COMPT LAMP

WC 14 Y
WE 14 W

COMPT LAMP

WC 14 Y
WE 14 W

COMPT LAMP

WC 14 Y
WE 14 W

CONNECTS TO WIRE ASM-COMPT LAMP (SHT 5, B-6) (LOCATED BELOW FLOOR UNDER REFRIGERATOR)

1-WC 14 Y
2-WE 14 W

ISOLATED STUD

K 8 BLK
M 8 BLK

CONVERTER OUTPUT

K 8 BLK
L 8 GRN

CONVERTER CHASSIS GROUND

U 8 GRN

JP 14 W

ANTENNA GROUND

1-SSC 14 Y
2-SSD 14 Y
3-SSE 14 Y
4-SSF 14 Y

CONNECTS TO WIRE ASM-CHASSIS (SHT 2, A-9) (LOCATED IN BASE OF GALLEY CABT)

1-SSD 14 Y
2-SSE 14 Y
3-SSC 14 Y
4-
5-
6-
7-SSE 14 Y
8-SSF 14 Y

CONNECTS TO AUTO LEVEL SWITCH

1-LLY 18 W
2-LLZ 18 Y
3-MMA 18 Y
4-MMB 18 Y
5-MMC 18 Y
6-MMD 18 Y

CONNECTS TO WIRE ASM-CHASSIS (SHT 2, D-4) (LOCATED UNDER GALLEY CABT)

1-LLY 18 W
2-LLZ 18 Y
3-MMA 18 Y
4-MMB 18 Y
5-MMC 18 Y
6-MMD 18 Y

CONNECTS TO REAR SLIDEOUT SWITCH

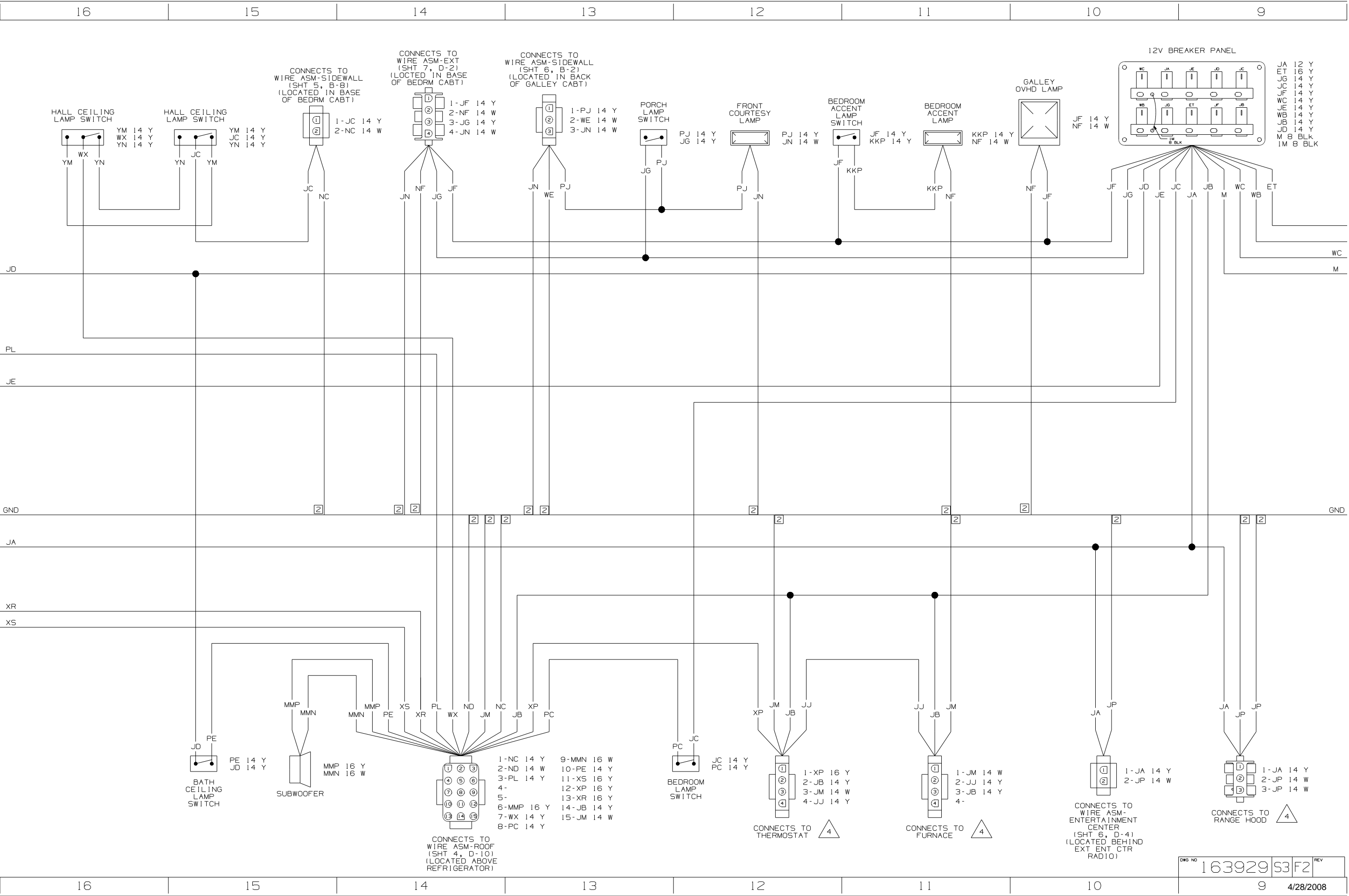
WIRING DIAGRAM-COACH (WIRE ASM 163983 REV-B)

FIRST USED 08 D35J

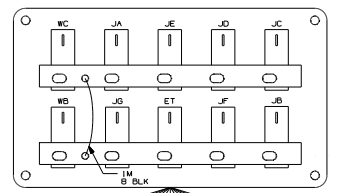
DO NOT SCALE DRAWING

TITLE: WIRING DIAGRAM-BODY, 12V

SHEET 3 PART NO 163929



12V BREAKER PANEL



- JA 12 Y
- ET 16 Y
- JG 14 Y
- JC 14 Y
- JF 14 Y
- WC 14 Y
- WB 14 Y
- JE 14 Y
- WB 14 Y
- JB 14 Y
- JD 14 Y
- M 8 BLK
- IM 8 BLK

HALL CEILING LAMP SWITCH
YM 14 Y
WX 14 Y
YN 14 Y

HALL CEILING LAMP SWITCH
YM 14 Y
JC 14 Y
YN 14 Y

CONNECTS TO WIRE ASM-SIDEWALL (SHT 5, B-8) (LOCATED IN BASE OF BEDRM CABT)
1-JC 14 Y
2-NC 14 W

CONNECTS TO WIRE ASM-EXT (SHT 7, D-21) (LOCATED IN BASE OF BEDRM CABT)
1-JF 14 Y
2-NF 14 W
3-JG 14 Y
4-JN 14 W

CONNECTS TO WIRE ASM-SIDEWALL (SHT 6, B-2) (LOCATED IN BACK OF GALLEY CABT)
1-PJ 14 Y
2-WE 14 W
3-JN 14 W

PORCH LAMP SWITCH
PJ 14 Y
JG 14 Y

FRONT COURTESY LAMP
PJ 14 Y
JN 14 W

BEDROOM ACCENT LAMP SWITCH
JF 14 Y
KKP 14 Y

BEDROOM ACCENT LAMP
KKP 14 Y
NF 14 W

GALLEY OVHD LAMP
JF 14 Y
NF 14 W

JF 14 Y
NF 14 W

BATH CEILING LAMP SWITCH
JD 14 Y
PE 14 Y

SUBWOOFER
MMP 16 Y
MMN 16 W

- CONNECTS TO WIRE ASM-ROOF (SHT 4, D-10) (LOCATED ABOVE REFRIGERATOR)
- 1-NC 14 Y
 - 2-ND 14 W
 - 3-PL 14 Y
 - 4-
 - 5-
 - 6-MMP 16 Y
 - 7-WX 14 Y
 - 8-PC 14 Y
 - 9-MMN 16 W
 - 10-PE 14 Y
 - 11-XS 16 Y
 - 12-XP 16 Y
 - 13-XR 16 Y
 - 14-JB 14 Y
 - 15-JM 14 W

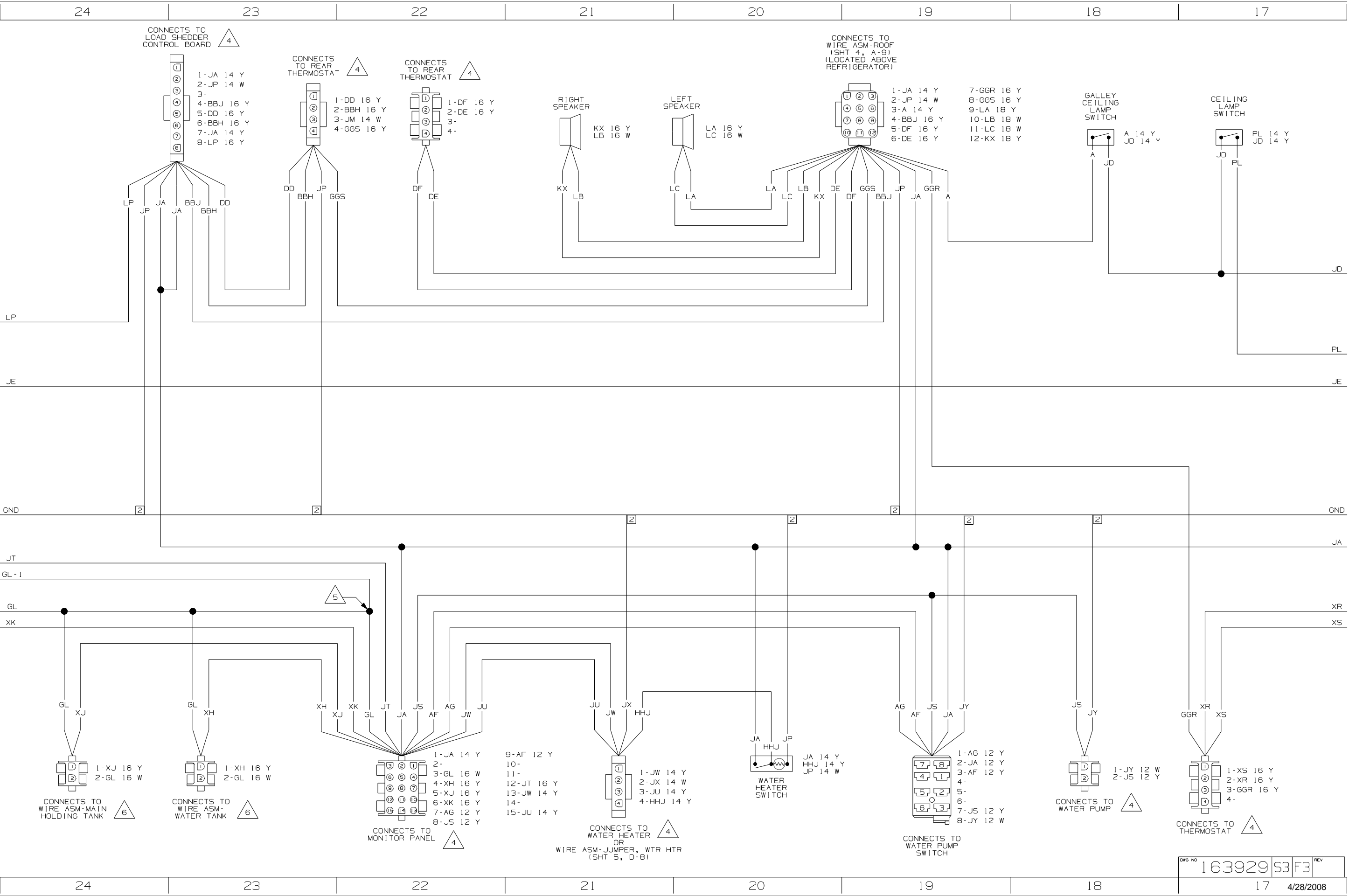
BEDROOM LAMP SWITCH
JC 14 Y
PC 14 Y

- CONNECTS TO THERMOSTAT
- 1-XP 16 Y
 - 2-JB 14 Y
 - 3-JM 14 W
 - 4-JJ 14 Y

- CONNECTS TO FURNACE
- 1-JM 14 W
 - 2-JJ 14 Y
 - 3-JB 14 Y
 - 4-

CONNECTS TO WIRE ASM-ENTERTAINMENT CENTER (SHT 6, D-4) (LOCATED BEHIND EXT ENT CTR RADIO)

CONNECTS TO RANGE HOOD



CONNECTS TO LOAD SHEDDER CONTROL BOARD

- 1- JA 14 Y
- 2- JP 14 W
- 3-
- 4- BBJ 16 Y
- 5- DD 16 Y
- 6- BBH 16 Y
- 7- JA 14 Y
- 8- LP 16 Y

CONNECTS TO REAR THERMOSTAT

- 1- DD 16 Y
- 2- BBH 16 Y
- 3- JM 14 W
- 4- GGS 16 Y

CONNECTS TO REAR THERMOSTAT

- 1- DF 16 Y
- 2- DE 16 Y
- 3-
- 4-

CONNECTS TO WIRE ASM-ROOF (SHT 4, A-8) (LOCATED ABOVE REFRIGERATOR)

- 1- JA 14 Y
- 2- JP 14 W
- 3- A 14 Y
- 4- BBJ 16 Y
- 5- DF 16 Y
- 6- DE 16 Y
- 7- GGR 16 Y
- 8- GGS 16 Y
- 9- LA 18 Y
- 10- LB 18 W
- 11- LC 18 W
- 12- KX 18 Y

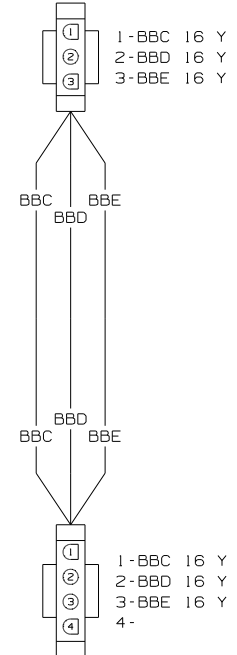
GALLEY CEILING LAMP SWITCH

- A 14 Y
- JD 14 Y

CEILING LAMP SWITCH

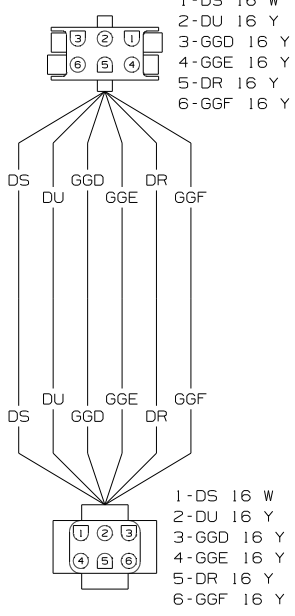
- PL 14 Y
- JD 14 Y

CONNECTS TO LOAD SHEDDER MONITOR PANEL 4



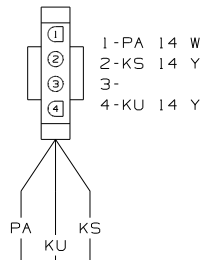
CONNECTS TO LOAD SHEDDER CONTROL BOARD 4

SLIDEOUT SWITCH 4

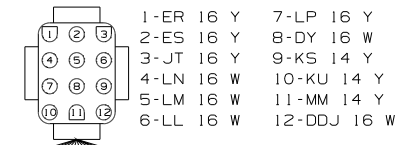


CONNECTS TO WIRE ASM-CHASSIS (SHT 2, D-7) (LOCATED IN BASE OF GALLEY CABT)

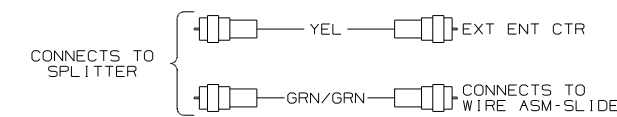
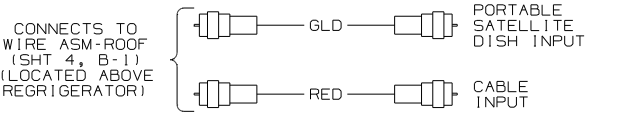
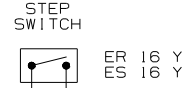
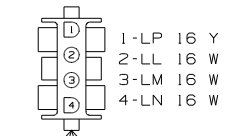
CONNECTS TO REAR AUTO HEATER 4



CONNECTS TO WIRE ASM-CHASSIS (SHT 2, A-14) (LOCATED IN BASE OF GALLEY CABT)



CONNECTS TO MONITOR PANEL 4



6 SEE WIRING DIAGRAM-HOLDING TANKS FOR ADDITIONAL INFORMATION.

5 GL AND GL-1 ARE TO BE SPLICED TOGETHER 100MM AWAY FROM MONITOR PANEL HOUSING FOR ISOLATION PURPOSES.

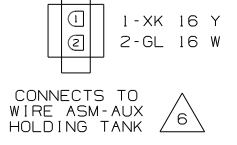
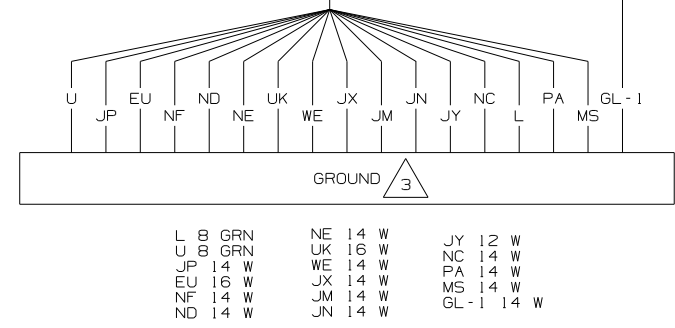
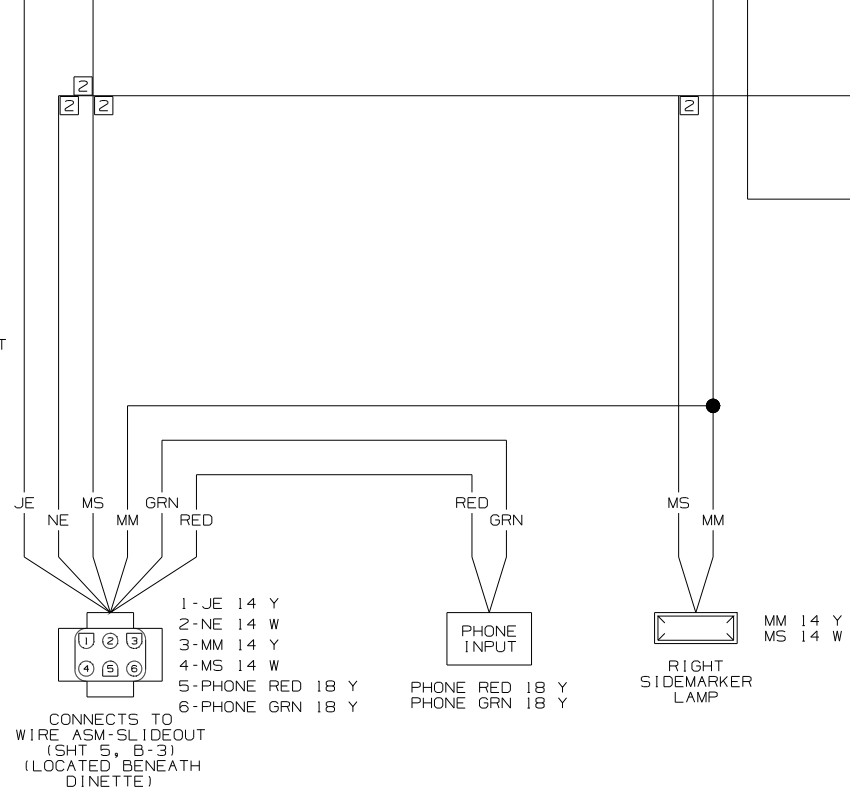
4 SEE MANUFACTURERS DIAGRAM FOR ADDITIONAL INFORMATION.

3 GROUNDS ARE SHOWN AS A SINGLE LINE FOR EASE IN TRACING. EACH GROUND CIRCUIT IS SEPERATE IN THE HARNESS.

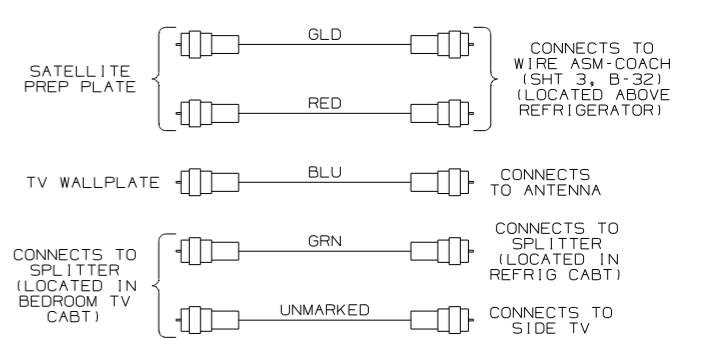
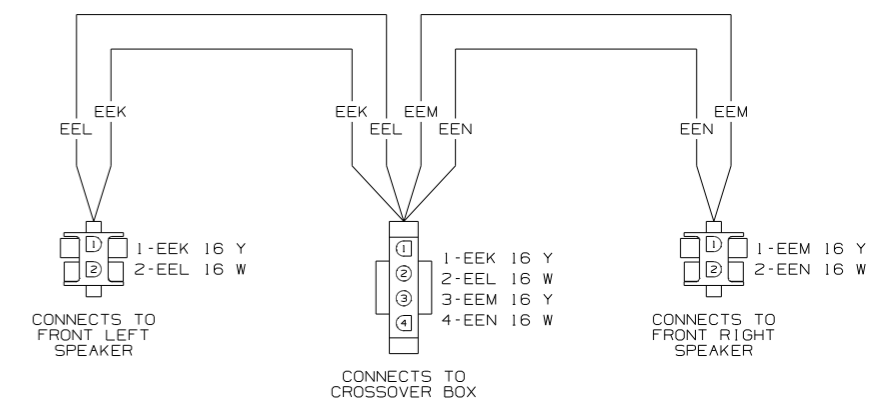
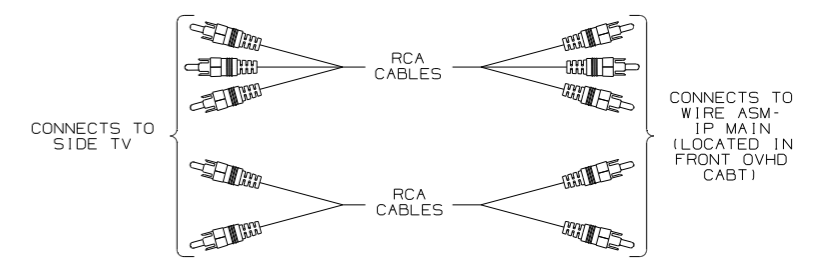
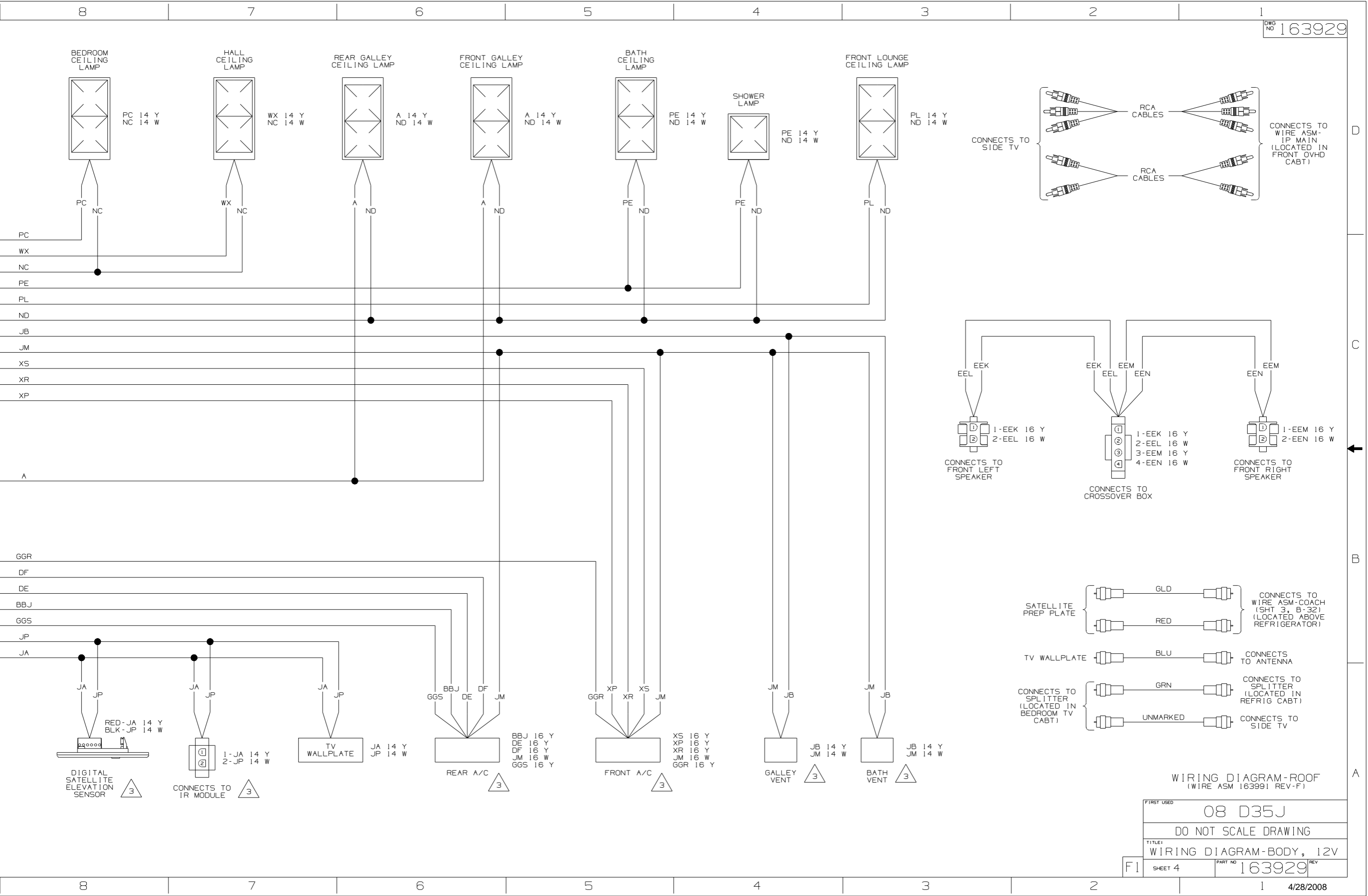
2 NOT A SPLICE POINT. INDICATES ENTRY INTO WIRING HARNESS.

1. SPLICES ARE THEORETICAL AND MAY DIFFER IN THE HARNESS.

NOTES:



CONNECTS TO WIRE ASM-AUX HOLDING TANK 6



WIRING DIAGRAM-ROOF (WIRE ASM 163991 REV-F)

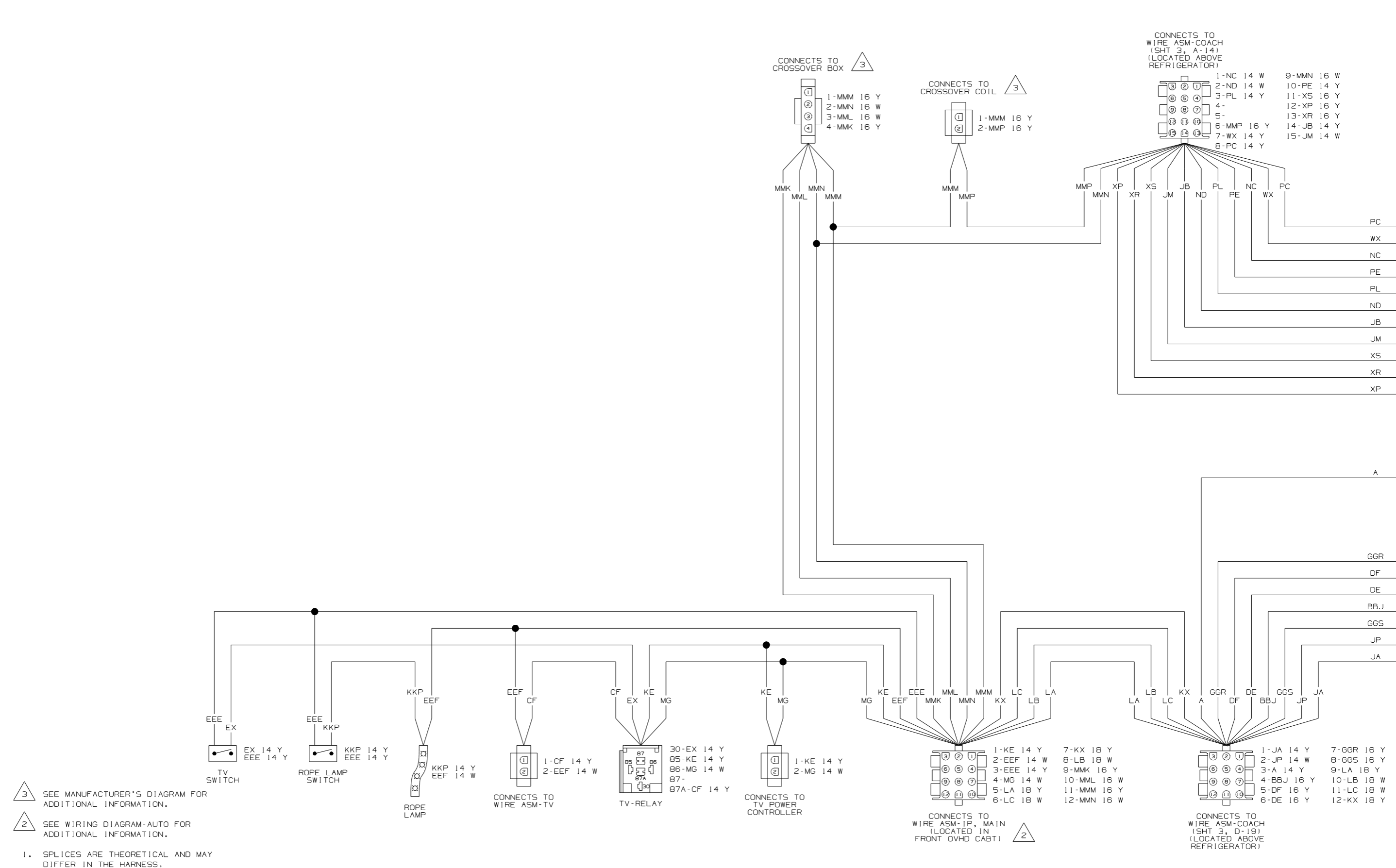
FIRST USED	08 D35J
TITLE	DO NOT SCALE DRAWING
TITLE	WIRING DIAGRAM-BODY, 12V
SHEET 4	PART NO 163929
F1	REV

D

C

B

A

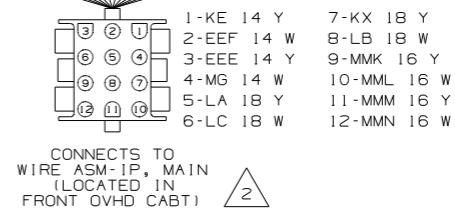
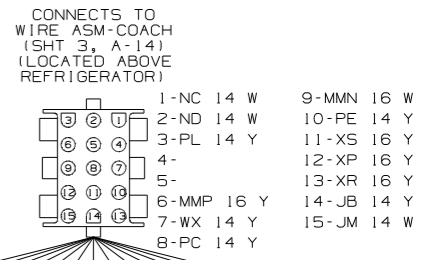
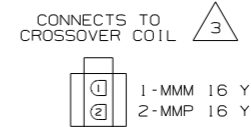
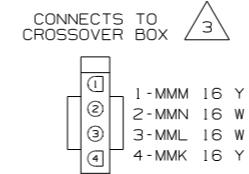


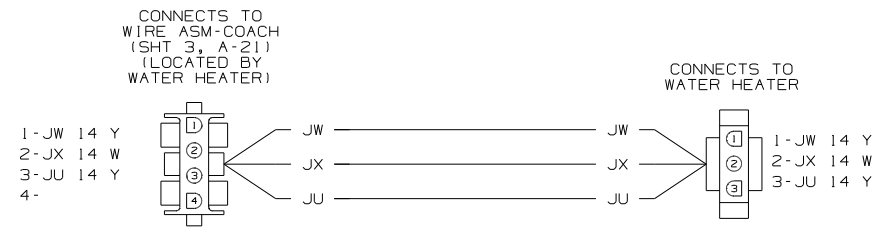
3 SEE MANUFACTURER'S DIAGRAM FOR ADDITIONAL INFORMATION.

2 SEE WIRING DIAGRAM-AUTO FOR ADDITIONAL INFORMATION.

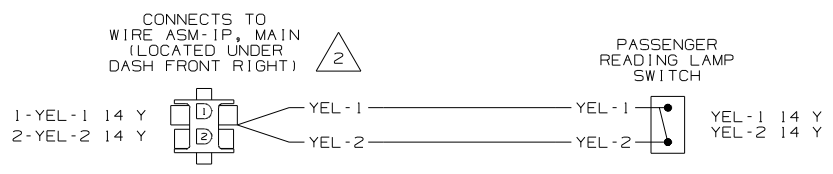
1. SPLICES ARE THEORETICAL AND MAY DIFFER IN THE HARNESS.

NOTES:

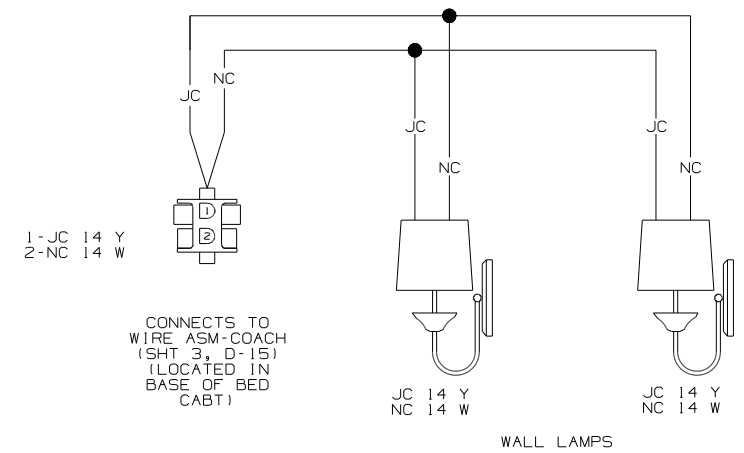




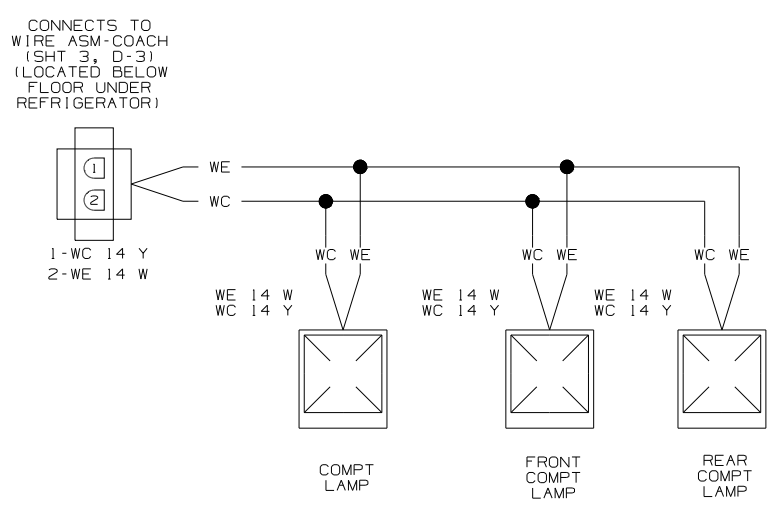
WIRING DIAGRAM-JUMPER WTR HTR (WIRE ASM 142263 REV-A)



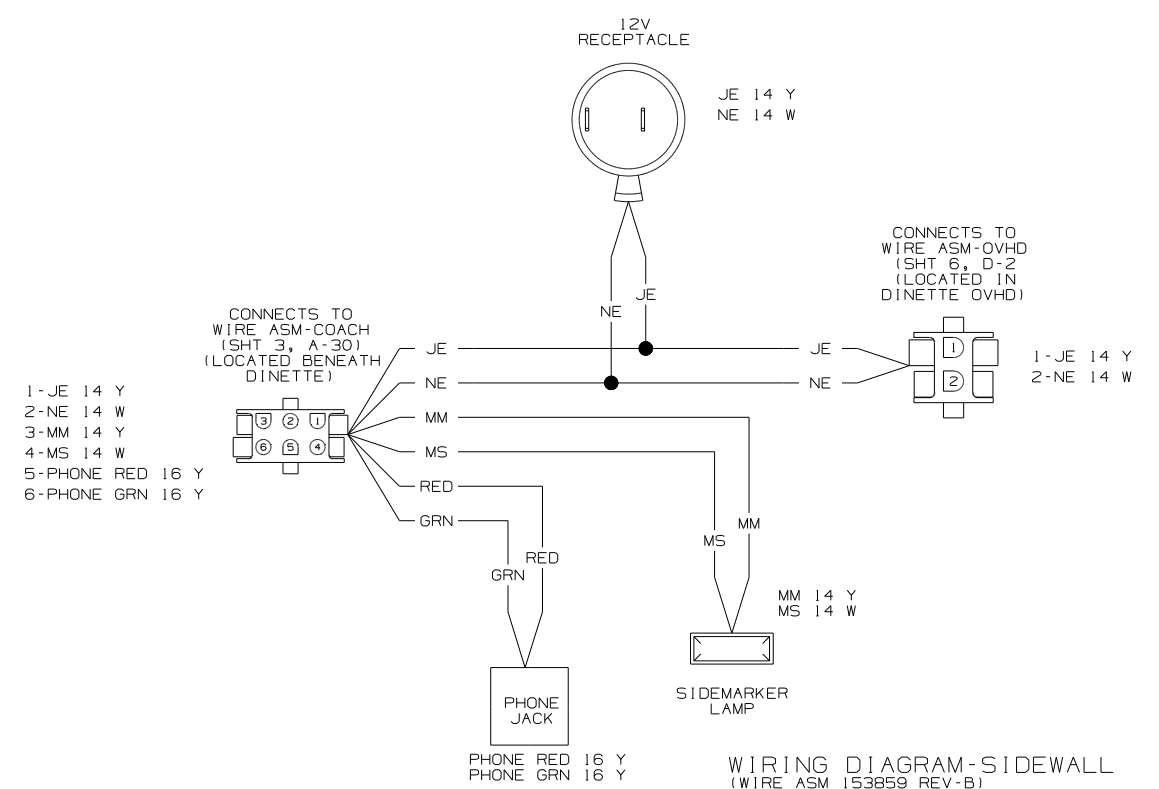
WIRING DIAGRAM-EXTENSION, 2 PIN (WIRE ASM 147579-02 REV-A)



WIRING DIAGRAM-OVHD LAMPS (WIRE ASM 160396 REV-B)



WIRING DIAGRAM-COMPT LAMP (WIRE ASM 145940 REV-E)



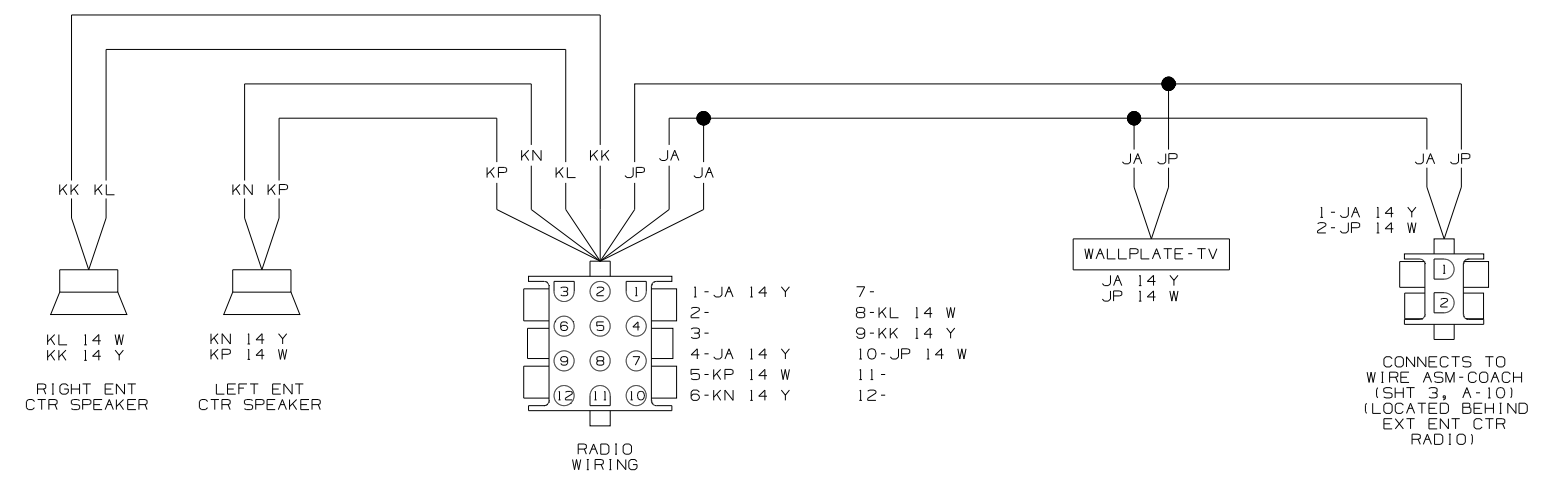
WIRING DIAGRAM-SIDEWALL (WIRE ASM 153859 REV-B)

2 SEE WIRING DIAGRAM-AUTO FOR ADDITIONAL INFORMATION.

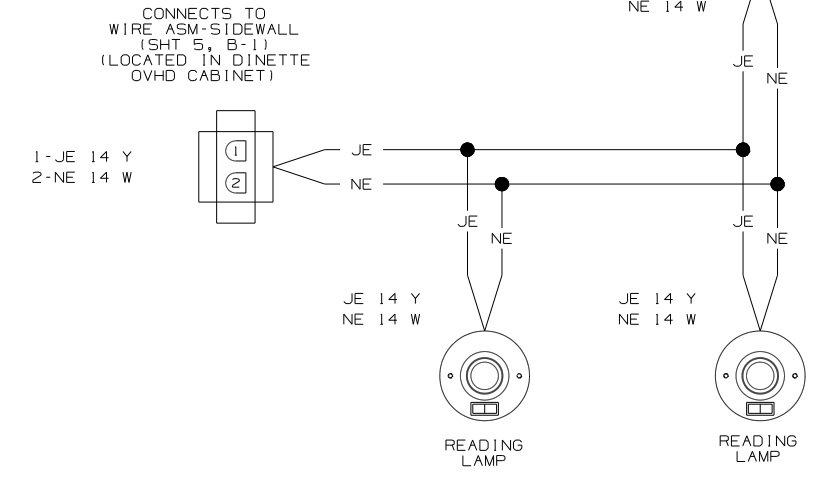
1. SPLICES ARE THEORETICAL AND MAY DIFFER IN THE HARNESS.

NOTES:

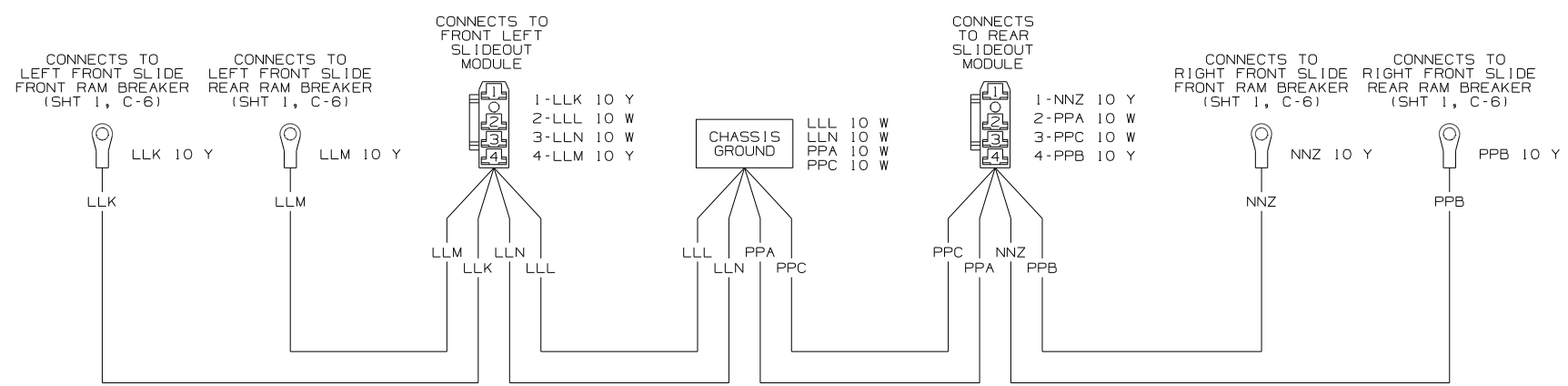
FIRST USED	08 D35J
DO NOT SCALE DRAWING	
TITLE	WIRING DIAGRAM-BODY, 12V
SHEET 5	PART NO 163929 REV



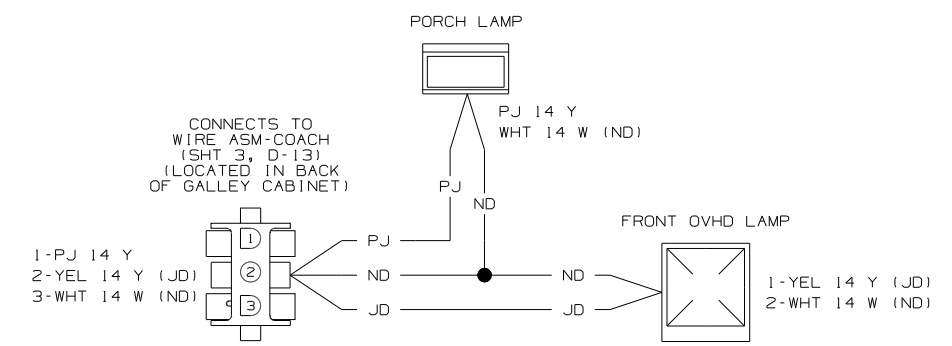
WIRING DIAGRAM-ENTERTAINMENT CENTER
(WIRE ASM 125853-04 REV-L)



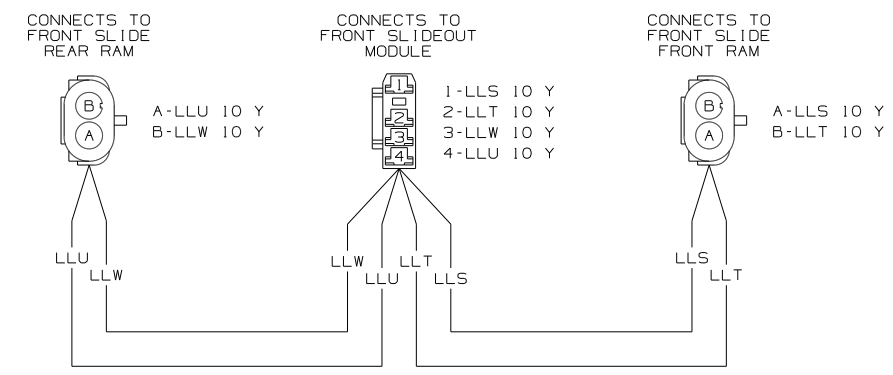
WIRING DIAGRAM-OVHD
(WIRE ASM 160276 REV-A)



WIRING DIAGRAM-SLIDEOUT POWER
(WIRE ASM 149552-11 REV-X)



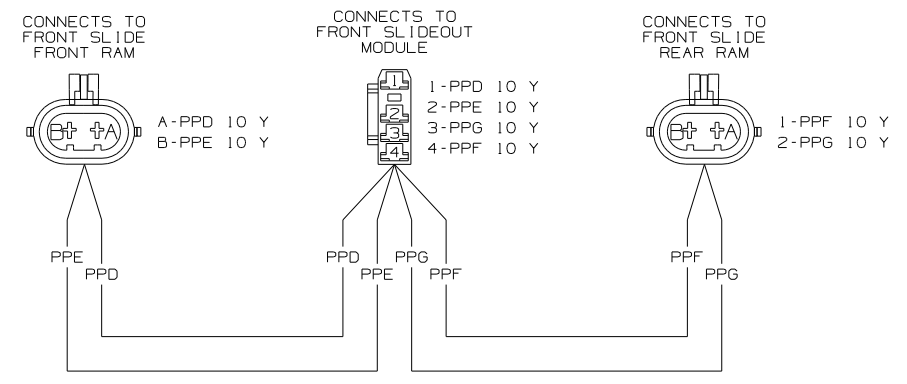
WIRING DIAGRAM-SIDEWALL
(WIRE ASM 165543 REV-B)



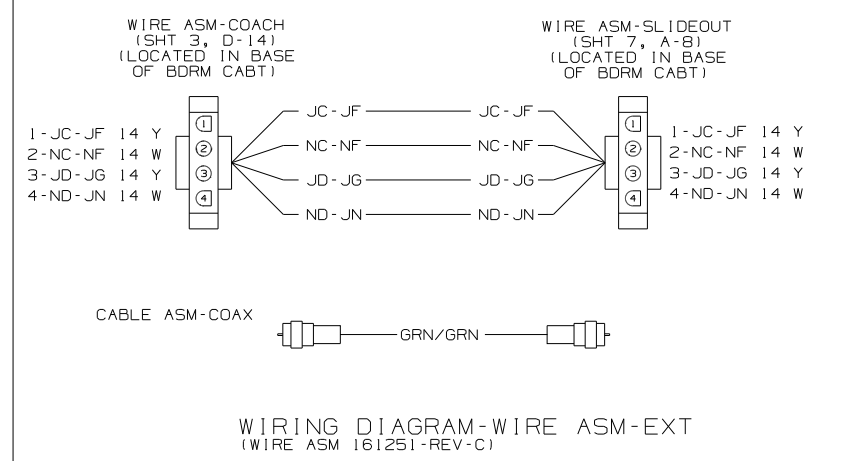
WIRING DIAGRAM-SLIDEOUT RAMS, FRONT
(WIRE ASM 149553-01 REV-V)

NOTES:
1. SPLICES ARE THEORETICAL AND MAY DIFFER IN THE HARNESS.

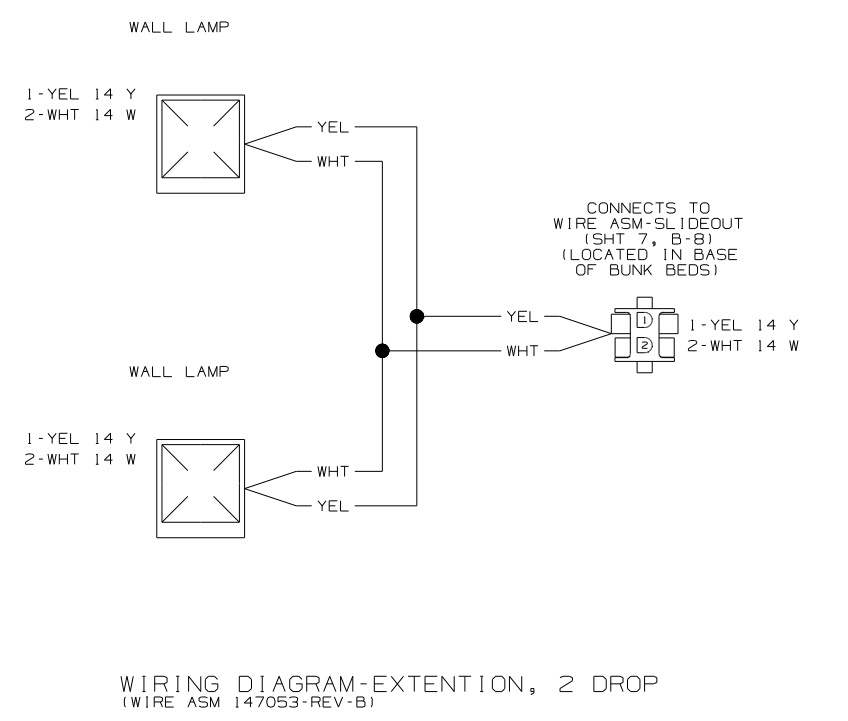
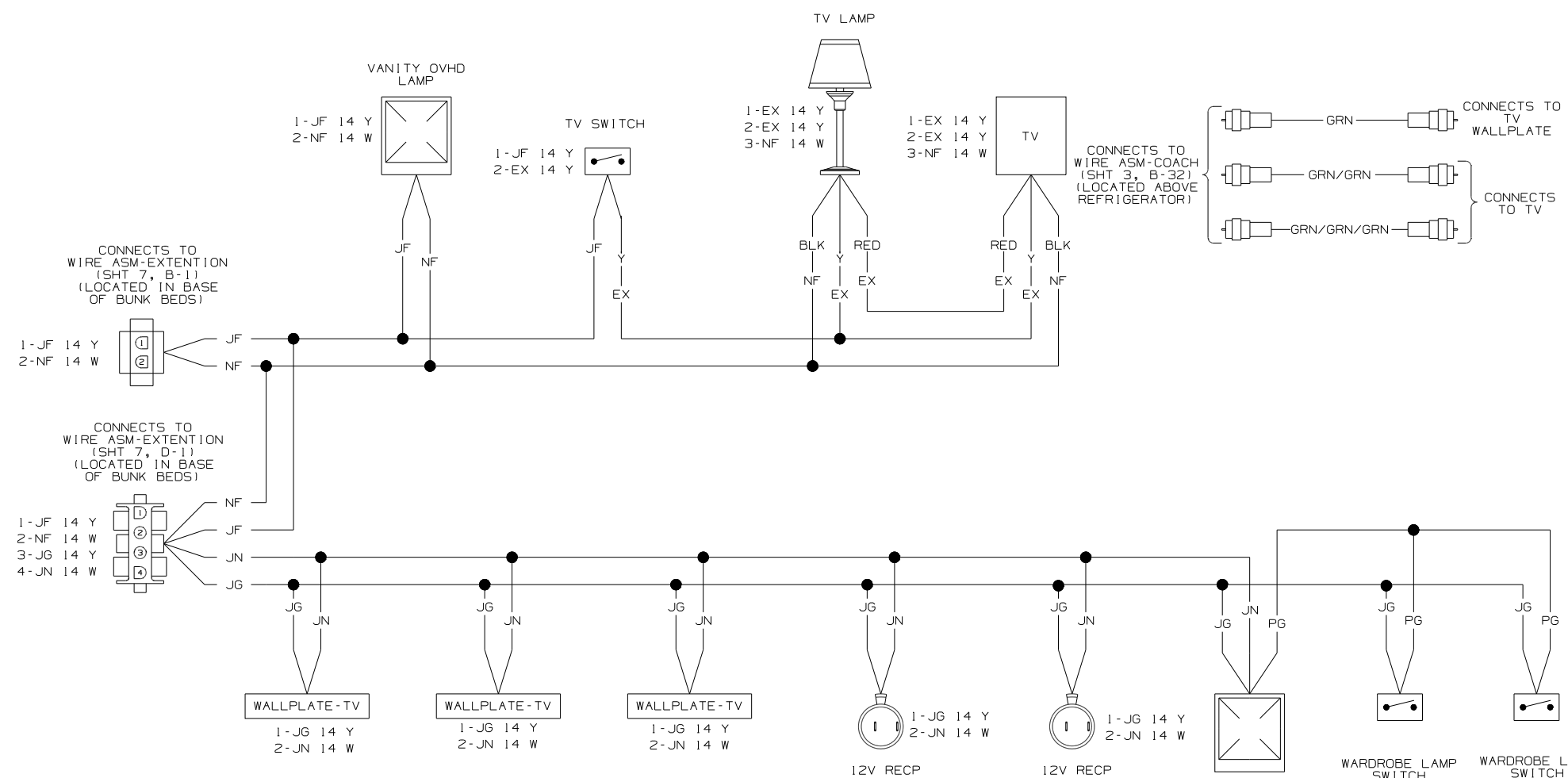
FIRST USED	08 D35J	
TITLE	DO NOT SCALE DRAWING	
	WIRING DIAGRAM-BODY, 12V	
SHEET 6	PART NO	163929
	REV	



WIRING DIAGRAM-SLIDEOUT RAMS, FRONT
(WIRE ASM 149553-08 REV-V)



WIRING DIAGRAM-WIRE ASM-EXT
(WIRE ASM 161251-REV-C)



WIRING DIAGRAM-EXTENTION, 2 DROP
(WIRE ASM 147053-REV-B)

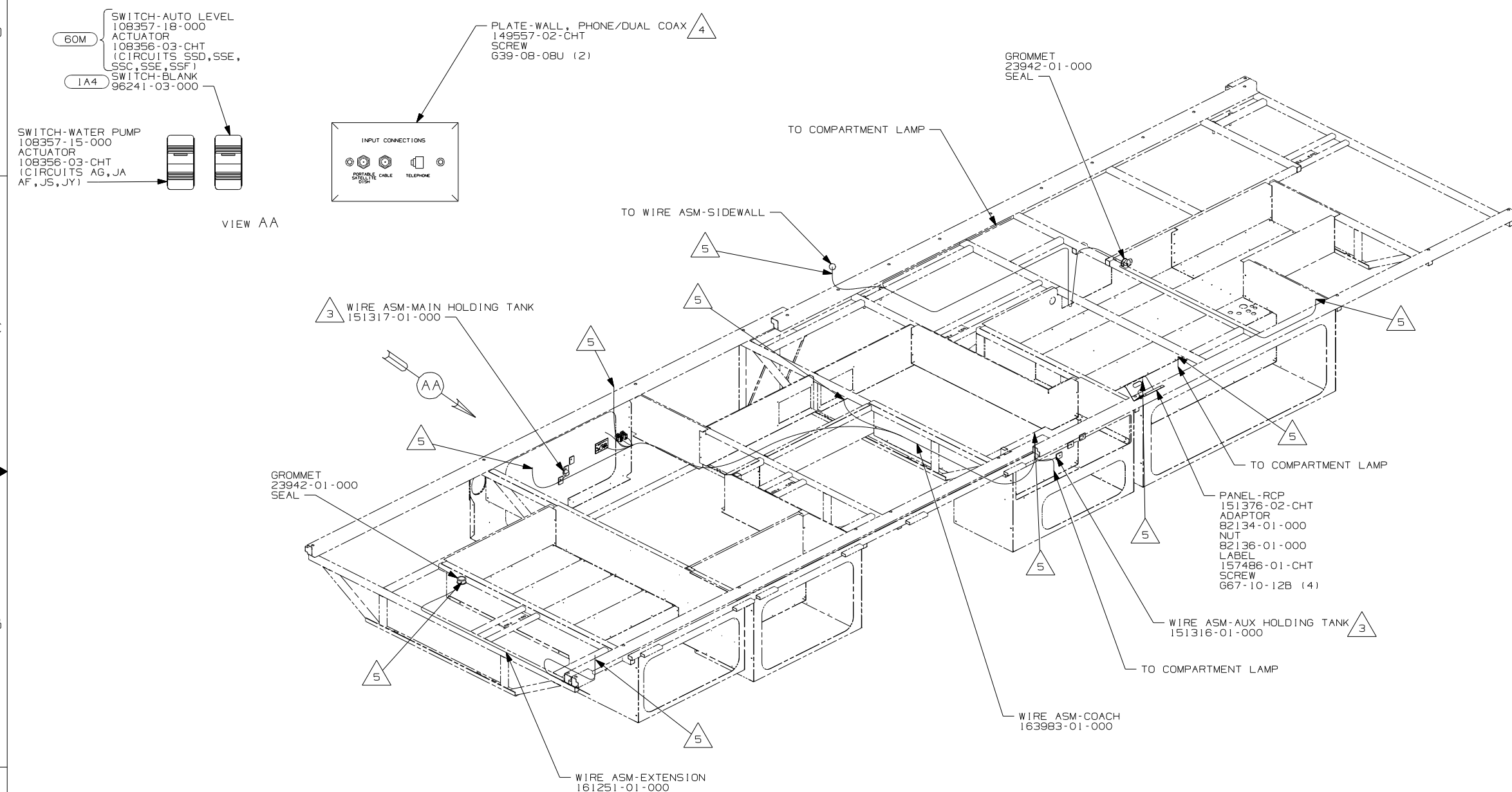
WIRING DIAGRAM-SLIDEOUT
(WIRE ASM 160262-REV-J)

NOTES:
1. SPLICES ARE THEORETICAL AND MAY DIFFER IN THE HARNESS.

FIRST USED	08 D35J
DO NOT SCALE DRAWING	
TITLE: WIRING DIAGRAM-BODY 12V	
SHEET 7	PART NO 163929 REV
1 4/28/2008	

DRAWING NO.	FEATURE
163927-01	(WIN)
163927-02	(ITA)

RELEASE	REV/DATE	DWG NO
	A	163927
REV ZONE	REVISION RECORD	DATE
		DFTR-ORIG



- 5 WIRE PASSES THROUGH FLOOR IN THIS AREA.
- 4 CONNECT TELEPHONE WIRES TO MATCHING COLORS ON PLATE-WALL, PHONE/DUAL COAX.
- 3 PLACE CROSS LOCATOR ON SENSOR OVER DIMPLES ON TANK.
2. ROUTE TANK SENSOR WIRES SO THEY DO NOT PASS OVER SENSORS. USE WIRE TIE MOUNT 155366-01-000 AND WIRE TIE 8343-01-000 AS NEEDED. TANK SURFACE MUST BE CLEANED USING ISOPROPYL ALCOHOL AND PRIMED WITH PRIMER 94.
1. ALL WIRES TO BE SECURED WITH CLAMP10495 OR 10497 OR WIRE TIE 8343 OR 108046 EVERY 600mm, USE SCREW G67-XX-XXX OR G56-XX-XXX AS APPROPRIATE FOR INSTALLATION.

NOTES:

- (1A4) LEVELING JACK WITHOUT
- (60M) HYDRAULIC LEVEL JACKS-AUTO
- (WIN) WINNEBAGO ONLY
- (ITA) ITASCA ONLY
- (265) CODES/STANDARDS-CSA/CMVSS
- (1B1) CODES/STANDARDS USA

(1B1) (265)

WINNEBAGO COPYRIGHT 2006 WINNEBAGO INDUSTRIES, INC.

DFTR	ORIG. DATE
CHKR	ALL DIMENSIONS ARE IN MILLIMETERS
P.E.	
M.E.	FIRST USED
DSNR	08 D35J

UNSPECIFIED TOLERANCES ARE: MATERIAL:

WHOLE DIM (X) :
ONE-PLACE (X.X) :
TWO-PLACE (X.XX) :
ANGLE :

THIRD ANGLE PROJECTION

DO NOT SCALE DRAWING

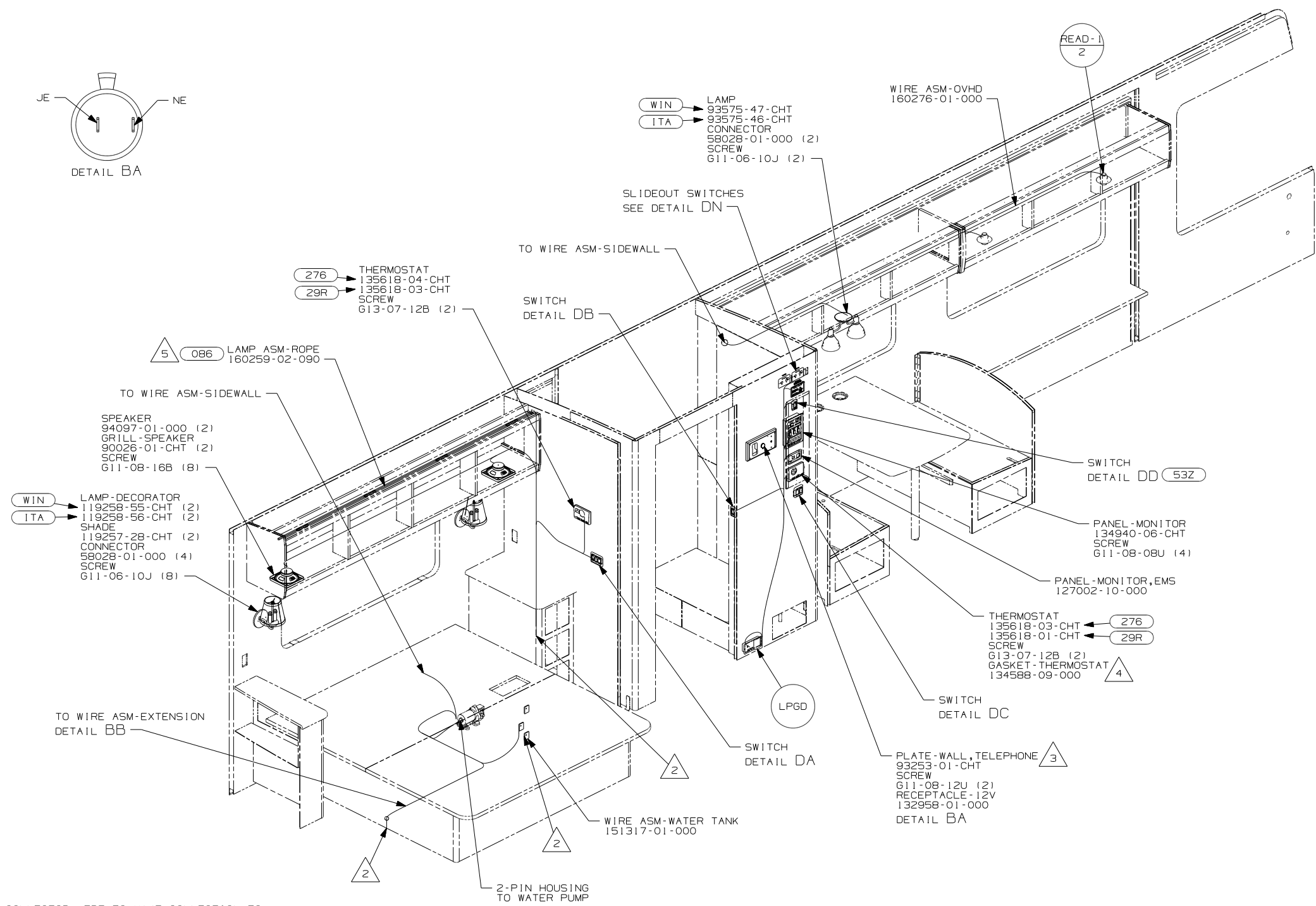
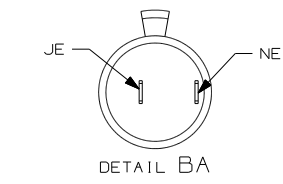
TITLE: WIRING INSTL-BODY, 12V

SHEET 1 OF 8 PART NO 163927 REV

REF: 1 10/19/2007

FOR ELECTRICAL TORQUE SPECIFICATIONS SEE DWG NO. 128783-01-000

(X-X) FOR ELECTRICAL CALLOUTS SEE DWG NO. 121339-01-000



- (WIN) LAMP 93575-47-CHT
- (ITA) LAMP 93575-46-CHT
- CONNECTOR 58028-01-000 (2)
- SCREW 611-06-10J (2)

- (276) THERMOSTAT 135618-04-CHT
- (29R) THERMOSTAT 135618-03-CHT
- SCREW 613-07-12B (2)

- (5) (086) LAMP ASM-ROPE 160259-02-090

- SPEAKER 94097-01-000 (2)
- GRILL-SPEAKER 90026-01-CHT (2)
- SCREW 611-08-16B (8)

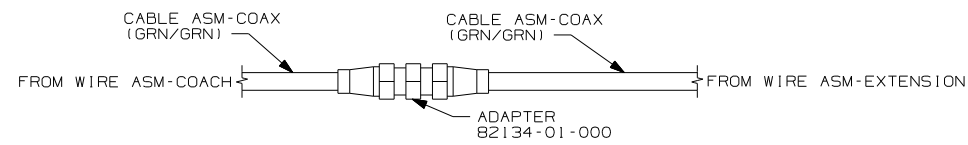
- (WIN) LAMP-DECORATOR 119258-55-CHT (2)
- (ITA) LAMP-DECORATOR 119258-56-CHT (2)
- SHADE 119257-28-CHT (2)
- CONNECTOR 58028-01-000 (4)
- SCREW 611-06-10J (8)

- (276) THERMOSTAT 135618-03-CHT
- (29R) THERMOSTAT 135618-01-CHT
- SCREW 613-07-12B (2)
- GASKET-THERMOSTAT 134588-09-000

- (3) PLATE-WALL, TELEPHONE 93253-01-CHT
- SCREW 611-08-12U (2)
- RECEPTACLE-12V 132958-01-000

- (086) INTERIOR UPGRADE PACKAG
- (53Z) WTR HTR-6GAL/110/LP/MTR/AUTO
- (29R) AC HEAT PUMP-2 HI EFFICIENCY
- (276) A/C ROOF-HI EFF (2) W/EMS
- (WIN) WINNEBAGO ONLY
- (ITA) ITASCA ONLY
- (265) CODES/STANDARDS-CSA/CMVSS
- (1B1) CODES/STANDARDS USA

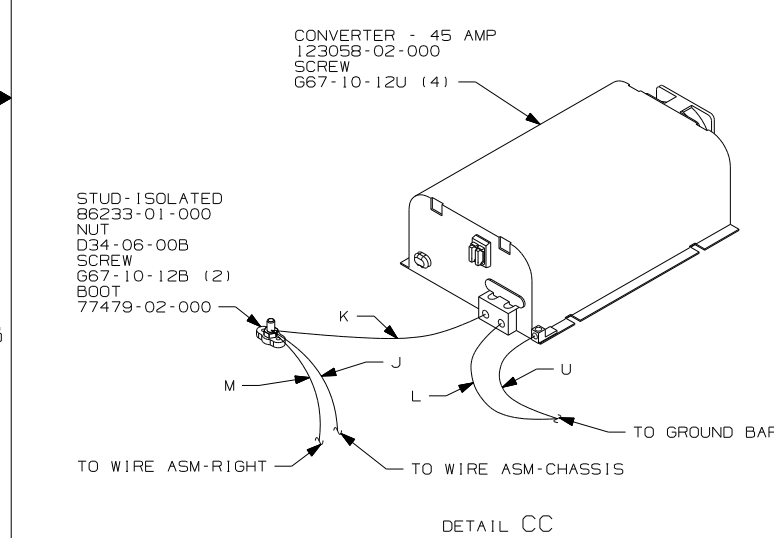
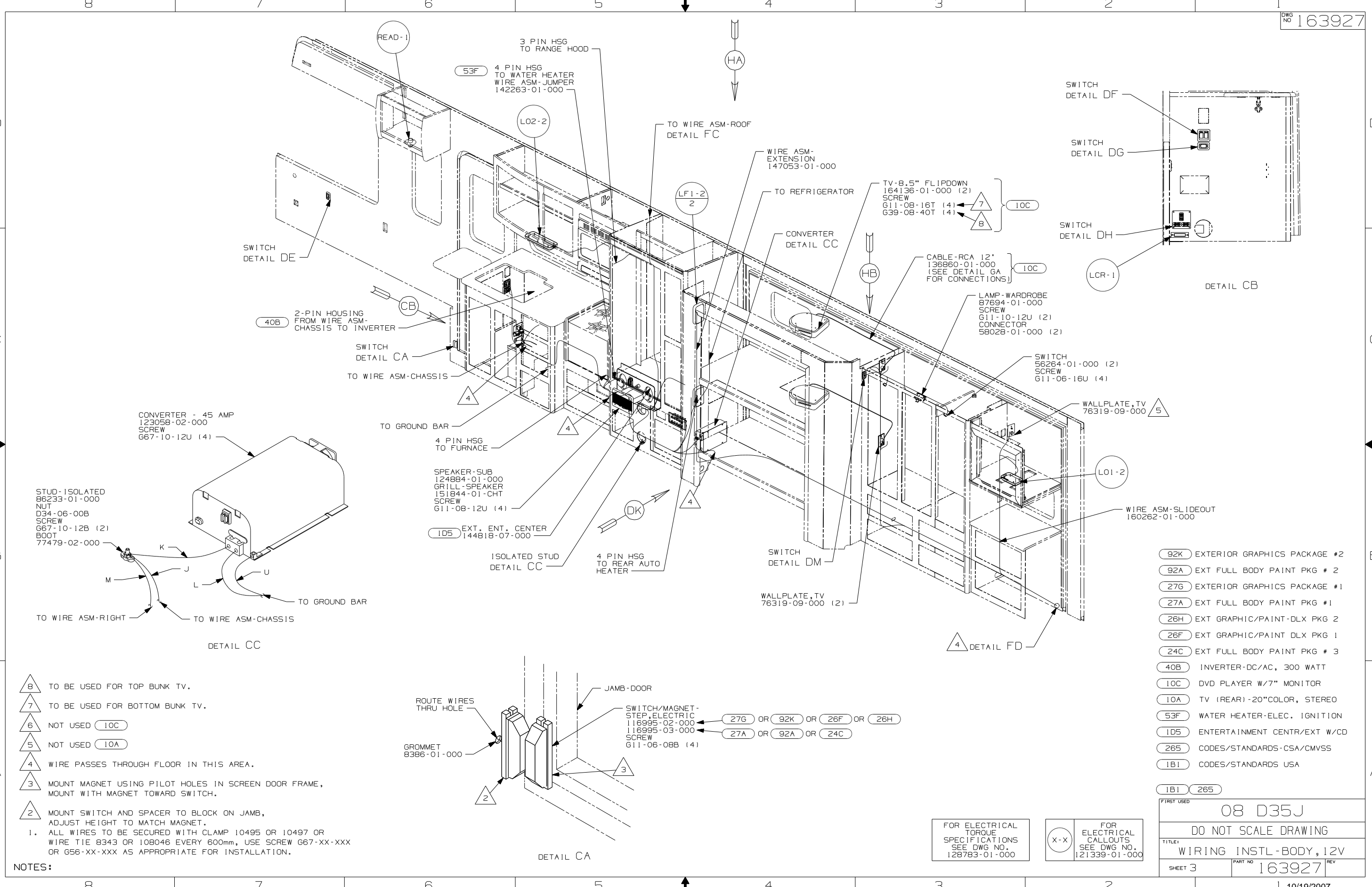
- (5) PLACE CONNECTOR HERE TO MAKE CONNECTION TO WIRE ASM. USE CONNECTOR 58028-01-000 (2).
- (4) INSTALL GASKET ON BACK SIDE OF ONE PLACE AFTER INSTALLATION OF THERMOSTAT, MAKING SURE THAT THE GASKET COVERS AND SEALS THE HOLE THAT THE WIRES PASS THROUGH.
- (3) CONNECT TELEPHONE WIRES TO MATCHING COLORS ON PLATE-WALL, TELEPHONE.
- (2) WIRE PASSES THROUGH FLOOR IN THIS AREA.
1. ALL WIRES TO BE SECURED WITH CLAMP 10495 OR 10497 OR WIRE TIE 8343 OR 108046 EVERY 600mm, USE SCREW G67-XX-XXX OR G56-XX-XXX AS APPROPRIATE FOR INSTALLATION.



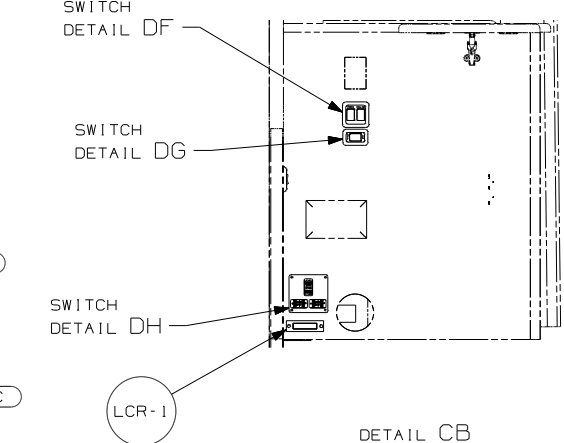
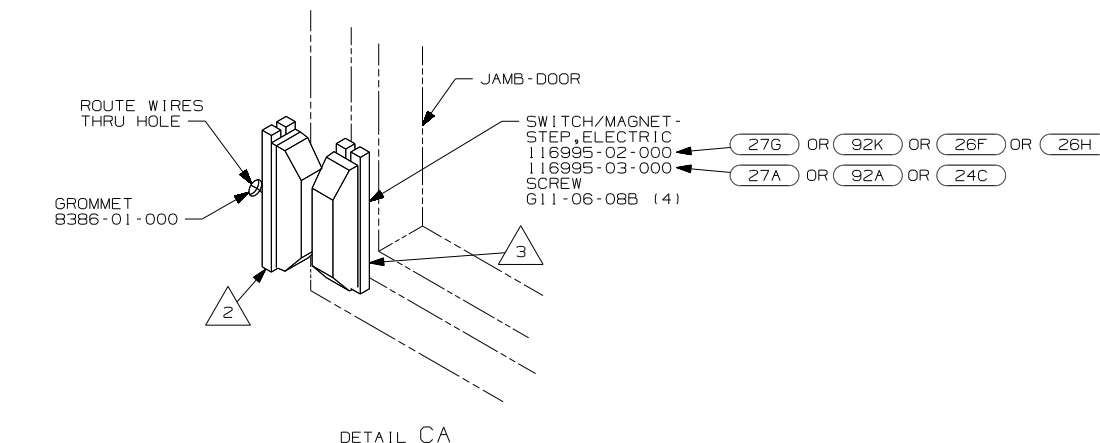
FOR ELECTRICAL TORQUE SPECIFICATIONS SEE DWG NO. 128783-01-000

(X-X) FOR ELECTRICAL CALLOUTS SEE DWG NO. 121339-01-000

FIRST USED	08 D35J
TITLE	DO NOT SCALE DRAWING
	WIRING INSTL-BODY, 12V
SHEET 2	PART NO 163927 REV



- NOTES:
- △ 8 TO BE USED FOR TOP BUNK TV.
 - △ 7 TO BE USED FOR BOTTOM BUNK TV.
 - △ 6 NOT USED (10C)
 - △ 5 NOT USED (10A)
 - △ 4 WIRE PASSES THROUGH FLOOR IN THIS AREA.
 - △ 3 MOUNT MAGNET USING PILOT HOLES IN SCREEN DOOR FRAME, MOUNT WITH MAGNET TOWARD SWITCH.
 - △ 2 MOUNT SWITCH AND SPACER TO BLOCK ON JAMB, ADJUST HEIGHT TO MATCH MAGNET.
1. ALL WIRES TO BE SECURED WITH CLAMP 10495 OR 10497 OR WIRE TIE 8343 OR 108046 EVERY 600mm, USE SCREW 667-XX-XXX OR G56-XX-XXX AS APPROPRIATE FOR INSTALLATION.

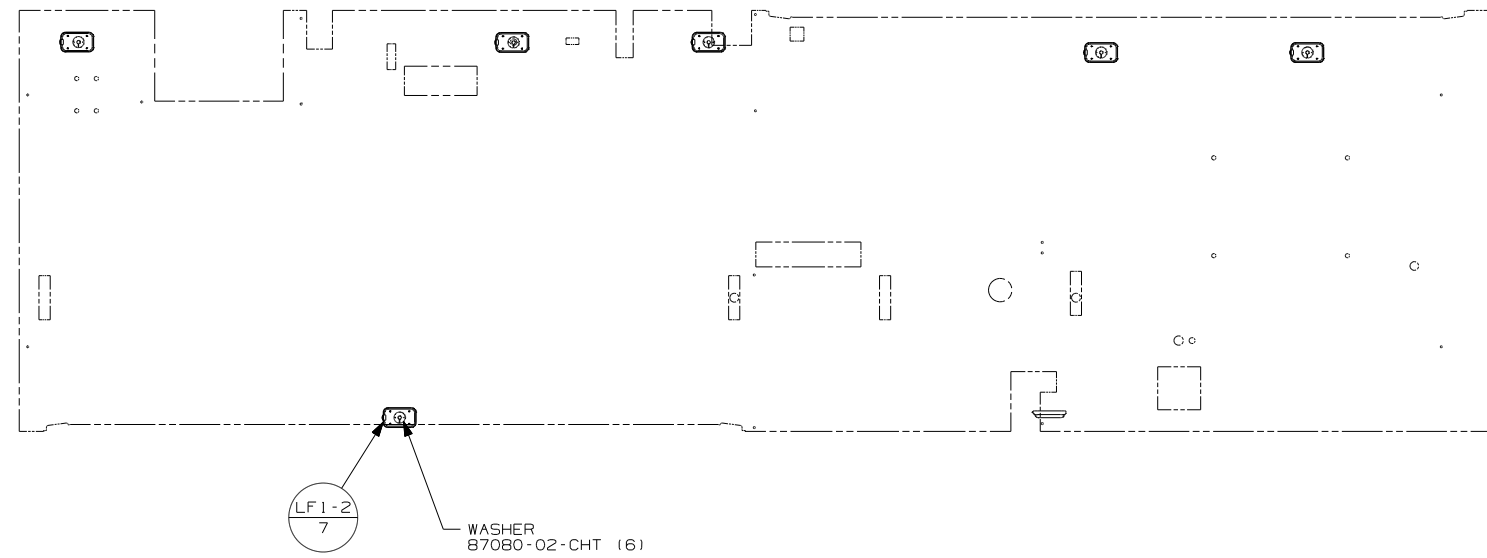
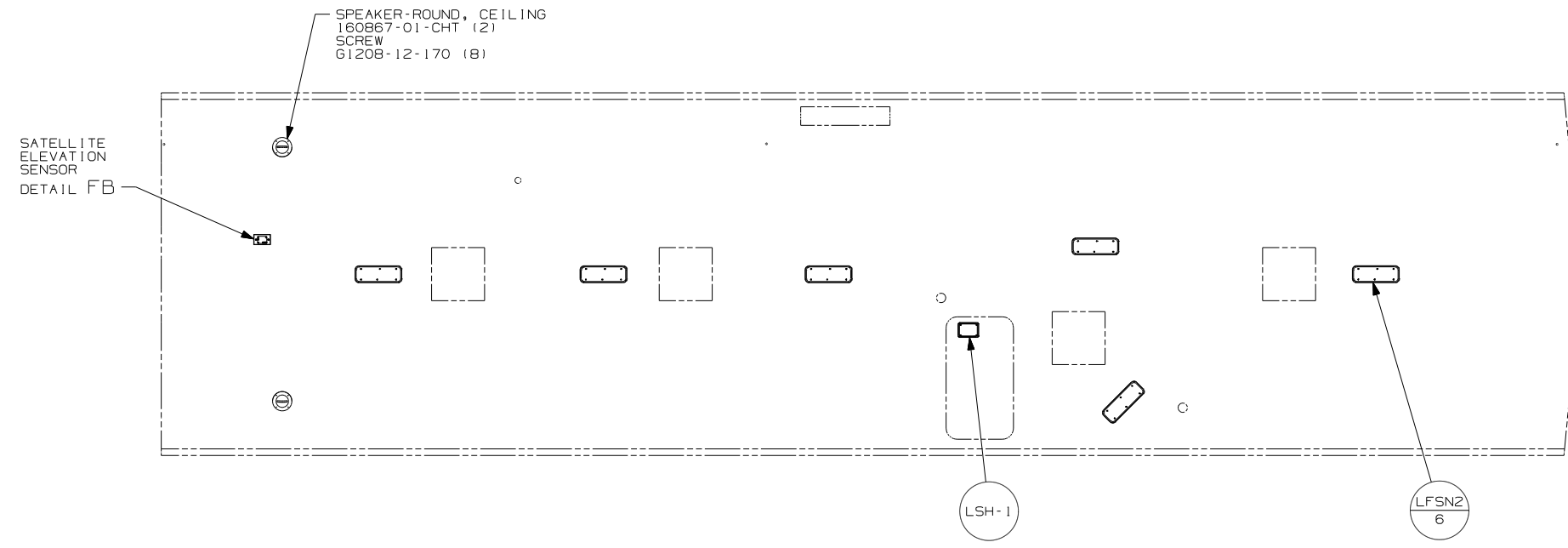


- (92K) EXTERIOR GRAPHICS PACKAGE #2
- (92A) EXT FULL BODY PAINT PKG # 2
- (27G) EXTERIOR GRAPHICS PACKAGE #1
- (27A) EXT FULL BODY PAINT PKG #1
- (26H) EXT GRAPHIC/PAINT-DLX PKG 2
- (26F) EXT GRAPHIC/PAINT DLX PKG 1
- (24C) EXT FULL BODY PAINT PKG # 3
- (40B) INVERTER-DC/AC, 300 WATT
- (10C) DVD PLAYER W/7" MONITOR
- (10A) TV (REAR)-20"COLOR, STEREO
- (53F) WATER HEATER-ELEC. IGNITION
- (1D5) ENTERTAINMENT CENTR/EXT W/CD
- (265) CODES/STANDARDS-CSA/CMVSS
- (1B1) CODES/STANDARDS USA

FOR ELECTRICAL TORQUE SPECIFICATIONS SEE DWG NO. 128783-01-000

(X-X) FOR ELECTRICAL CALLOUTS SEE DWG NO. 121339-01-000

FIRST USED	08 D35J
TITLE	DO NOT SCALE DRAWING
WIRING INSTL-BODY, 12V	
SHEET 3	PART NO 163927 REV

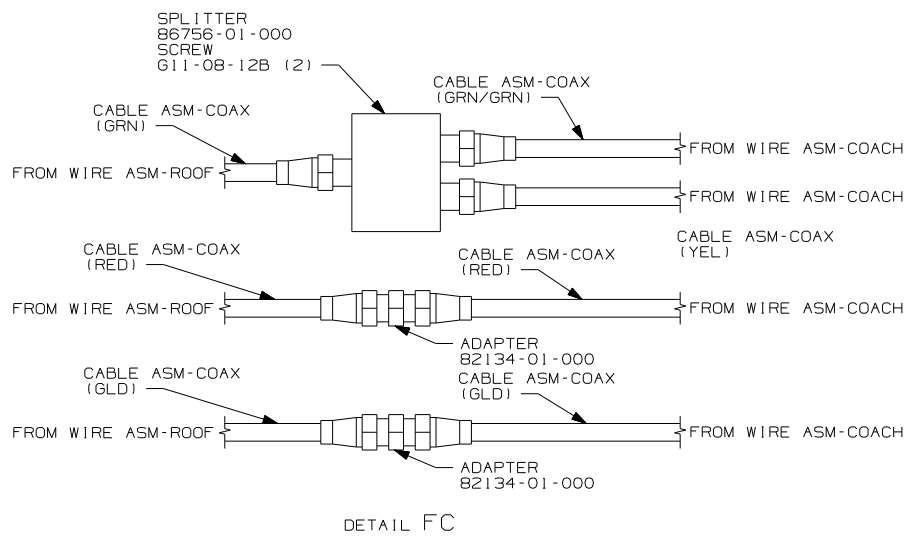
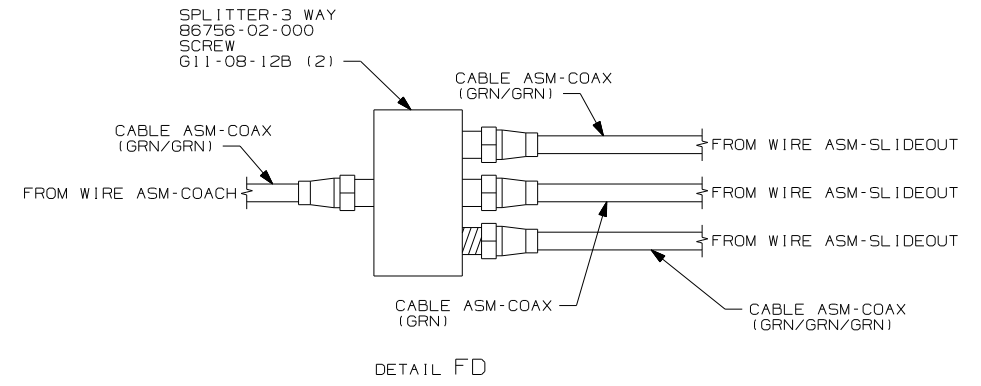
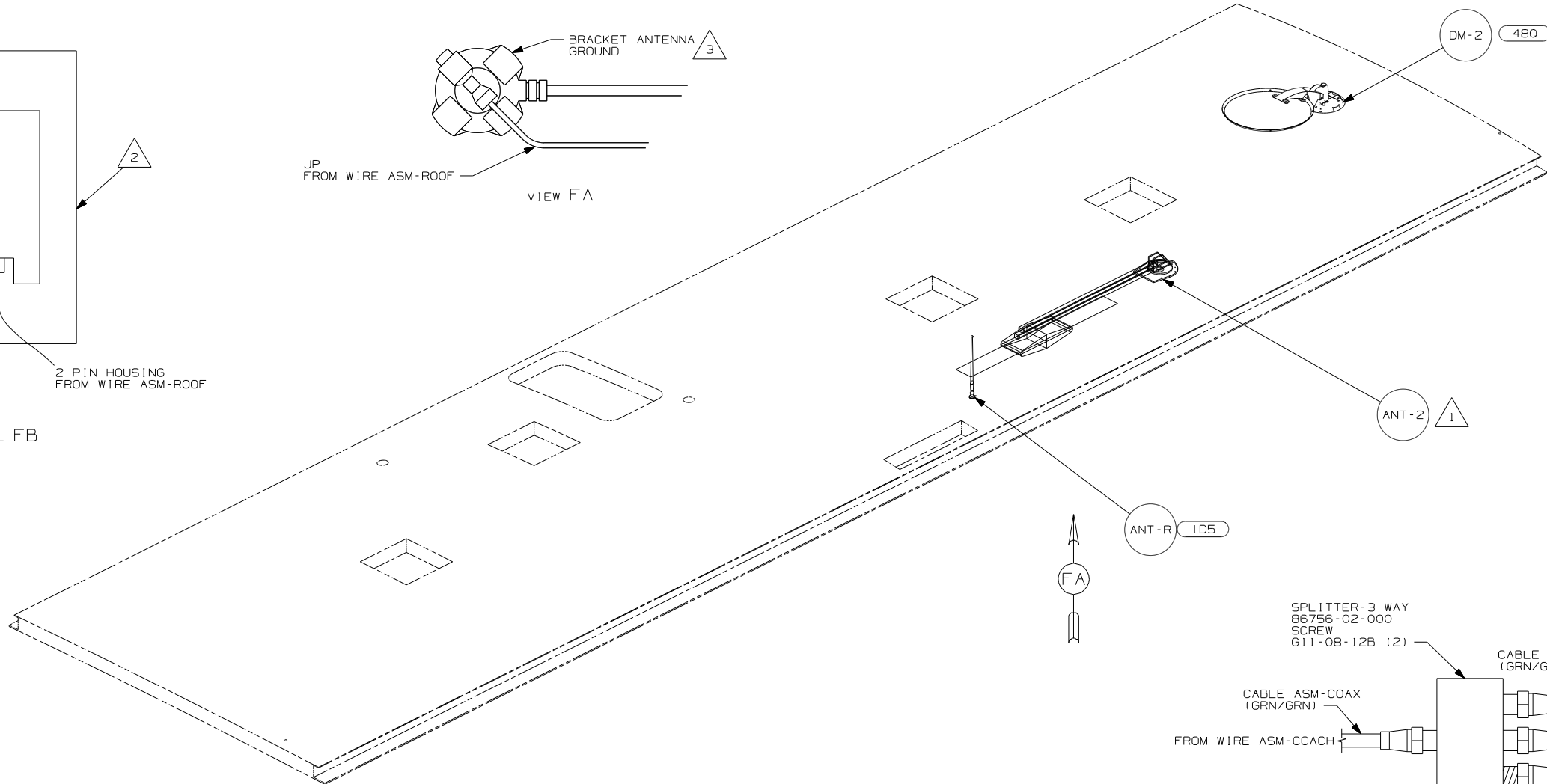
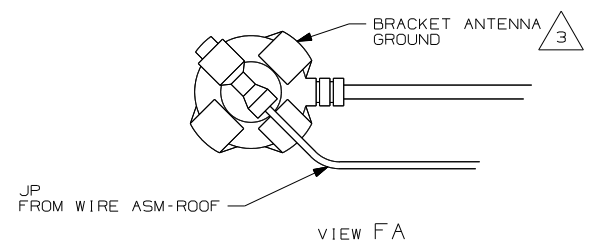
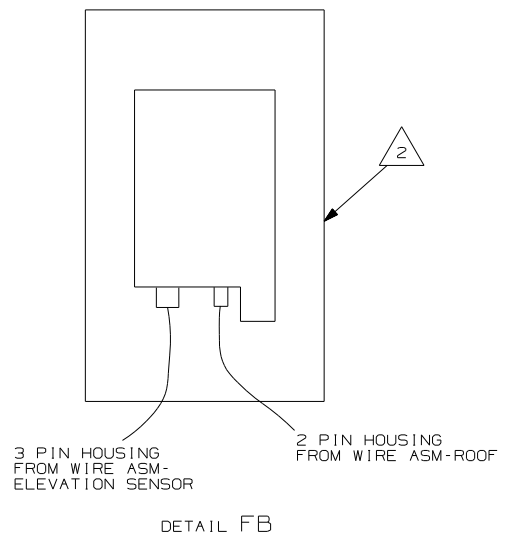


265 CODES/STANDARDS-CSA/CMVSS
1B1 CODES/STANDARDS USA

FIRST USED	08 D35J
TITLE:	DO NOT SCALE DRAWING
SHEET 5	WIRING INSTL-BODY, 12V
PART NO	163927
REV	

FOR ELECTRICAL TORQUE SPECIFICATIONS SEE DWG NO. 128783-01-000

FOR ELECTRICAL CALLOUTS SEE DWG NO. 121339-01-000



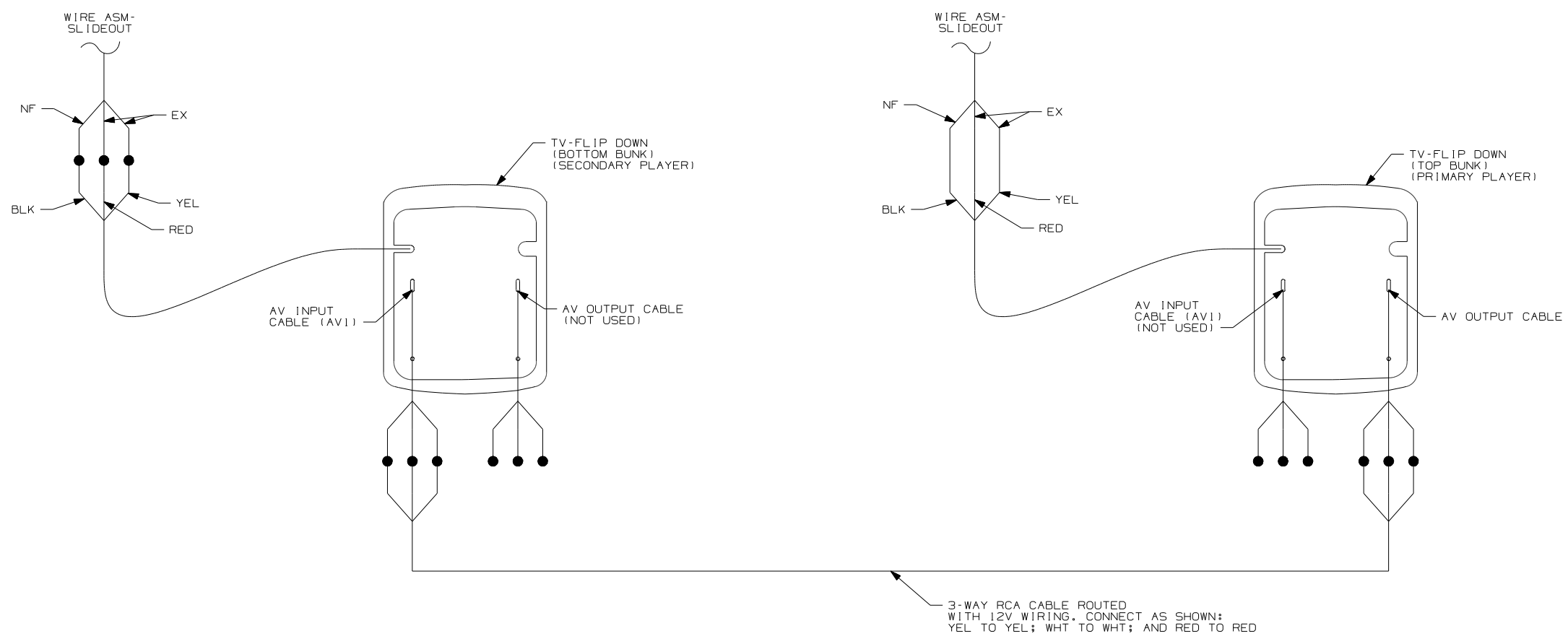
- NOTES:
- △ 4 CONNECT THE ORANGE COAX FROM ROOF ASM TO ONE OF THE 2 GRAY COAX CABLES ON THE SATELLITE DISH, THE OTHER GRAY COAX IS NOT USED.
 - △ 3 WRAP LEGS AROUND ANTENNA BASE.
 - △ 2 SENSOR SUPPLIED WITH SATELLITE ASSEMBLY.
 - △ 1 SEE DWG 76319-01-000 FOR INSTALLATION INSTRUCTIONS.

- 480 SATELLITE DISH & ELEV.SENSOR
- 1D5 ENTERTAINMENT CENTR/EXT W/CD
- 265 CODES/STANDARDS-CSA/CMVSS
- 1B1 CODES/STANDARDS USA

FOR ELECTRICAL TORQUE SPECIFICATIONS SEE DWG NO. 128783-01-000

FOR ELECTRICAL CALLOUTS SEE DWG NO. 121339-01-000

FIRST USED	08 D35J
DO NOT SCALE DRAWING	
TITLE:	WIRING INSTL-BODY, 12V
SHEET 6	PART NO 163927 REV



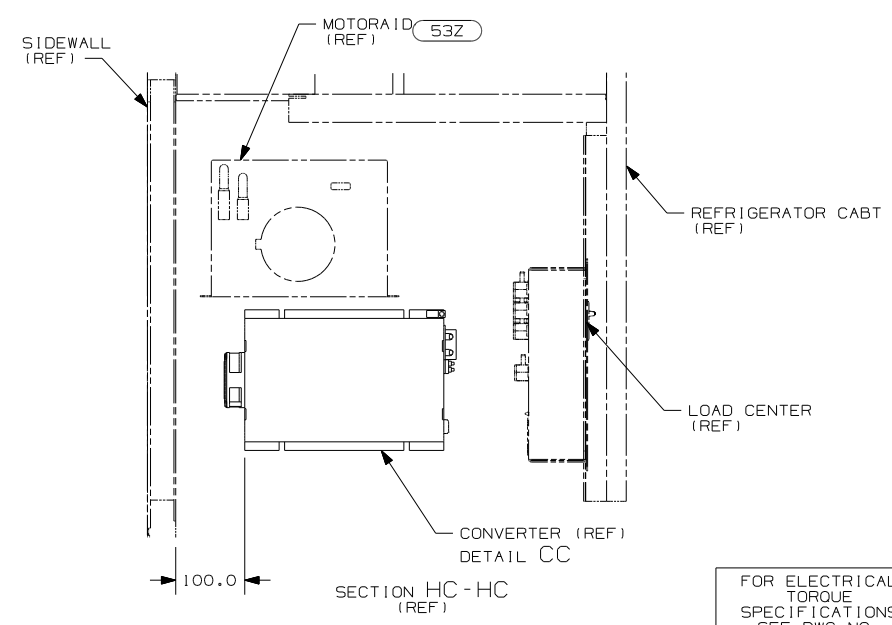
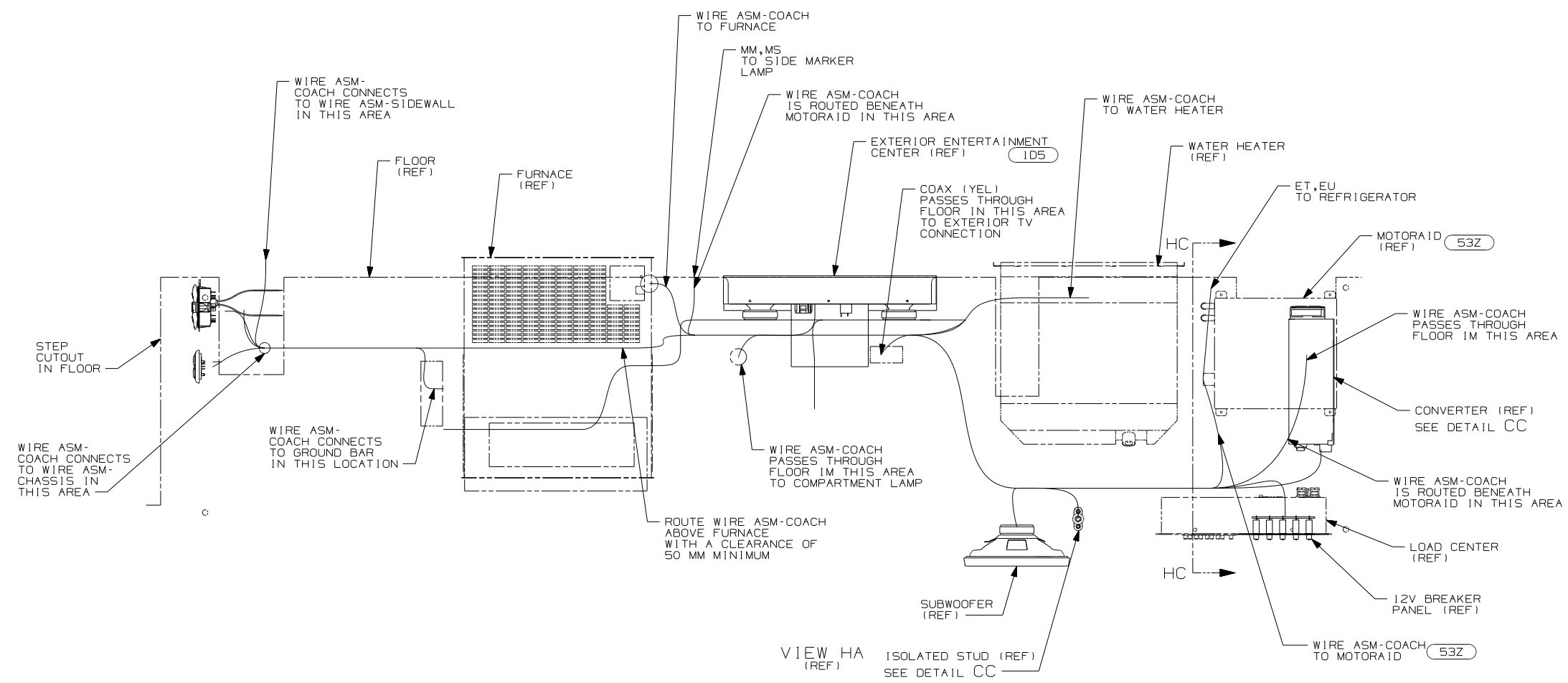
DETAIL GA 10C

- NOTES:
- 6 SUPPLIED WITH FLIP DOWN TV.
 - 5 REMOVE SHIPPING RESTRAINT SCREWS FROM DVD PLAYER.
 - 4 SUPPLIED WITH DVD PLAYER.
 - 3 REMOTE IR RECEIVER SUPPLIED WITH DVD PLAYER. TO BE MOUNTED IN BOTTOM BUNK.
 - 2 RCA A/V CABLE SUPPLIED WITH DVD PLAYER
 - 1 COAX IS PART OF WIRE-ASM SLIDEOUT

- 10C DVD PLAYER W/7" MONITOR
- 265 CODES/STANDARDS-CSA/CMVSS
- 1B1 CODES/STANDARDS USA

FIRST USED	08 D35J
TITLE:	DO NOT SCALE DRAWING
	WIRING INSTL-BODY, 12V
SHEET 7	PART NO 163927 REV

FOR ELECTRICAL CALLOUTS SEE DWG NO. 121339-01-000



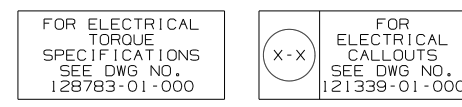
- (53Z) WTR HTR-6GAL/110/LP/MTR/AUTO
- (ID5) ENTERTAINMENT CENTR/EXT W/CD
- (265) CODES/STANDARDS-CSA/CMVSS
- (1B1) CODES/STANDARDS USA

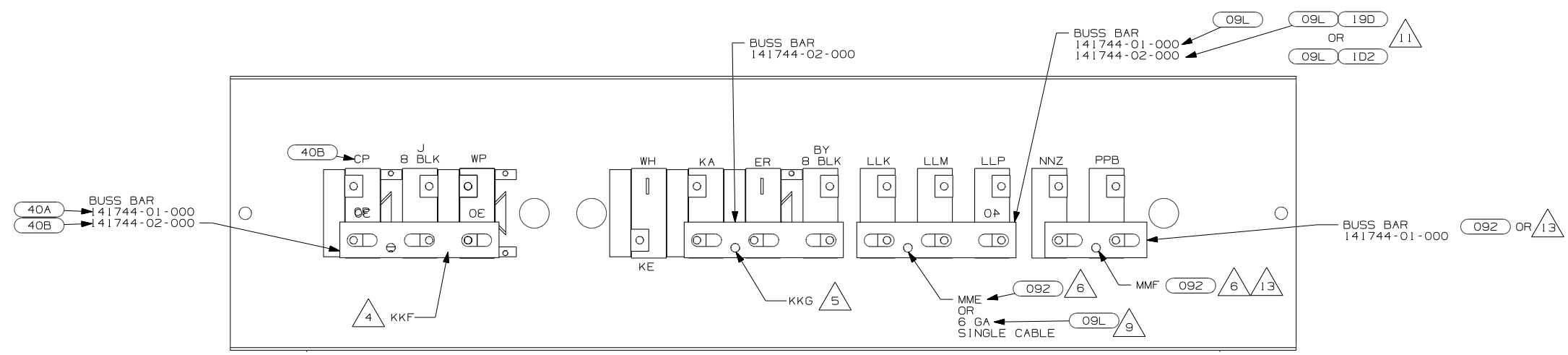
FIRST USED	08 D35J
DO NOT SCALE DRAWING	
TITLE:	WIRING INSTL-BODY, 12V
SHEET 8	PART NO 163927 REV

NOTES:
 1. ALL WIRES TO BE SECURED WITH CLAMP 10495 OR 10497 OR WIRE TIE 8343 OR 104046 EVERY 600MM, USE SCREW G64-XX-XXX OR G56-XX-XXX AS APPROPRIATE FOR INSTALLATION.

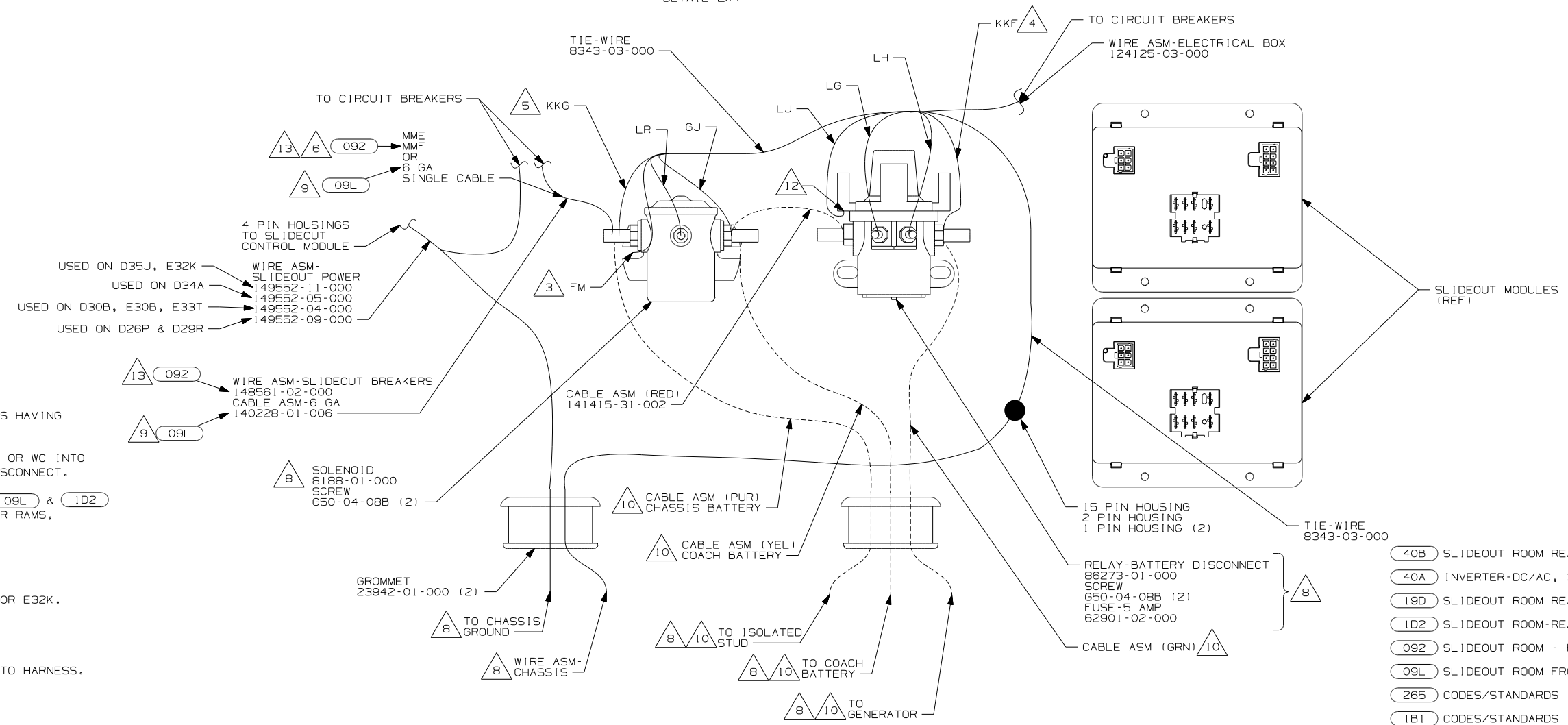
FOR ELECTRICAL TORQUE SPECIFICATIONS SEE DWG NO. 128783-01-000

FOR ELECTRICAL CALLOUTS SEE DWG NO. 121339-01-000





DETAIL BA



- 13 USED ON E32K & D35J DUE TO UNITS HAVING DUAL REAR RAMS.
- 12 INSERT TERMINAL FROM CIRCUIT LJ OR WC INTO FUSE HOLDER ON RELAY-BATTERY DISCONNECT.
- 11 NOT USED ON E32K OR D35J WITH 09L & 1D2 DUE TO THE UNIT HAVING DUAL REAR RAMS, RAMS. USE 09L ONLY BUSS BAR.
- 10 SEE BATTERY INSTALLATION FOR ADDITIONAL INFORMATION.
- 9 NOT USED WITH 092 OR ON D35J OR E32K.
- 8 SEE WIRING INSTL-CHASSIS FOR ADDITIONAL INFORMATION.
- 7 IF CIRCUIT NOT USED, TAPE BACK TO HARNESS.
- 6 WIRE MARKED WITH RED TAPE.
- 5 WIRE MARKED WITH PURPLE TAPE.
- 4 WIRE MARKED WITH YELLOW TAPE.
- 3 SECURE WITH SOLENOID MOUNTING SCREW.

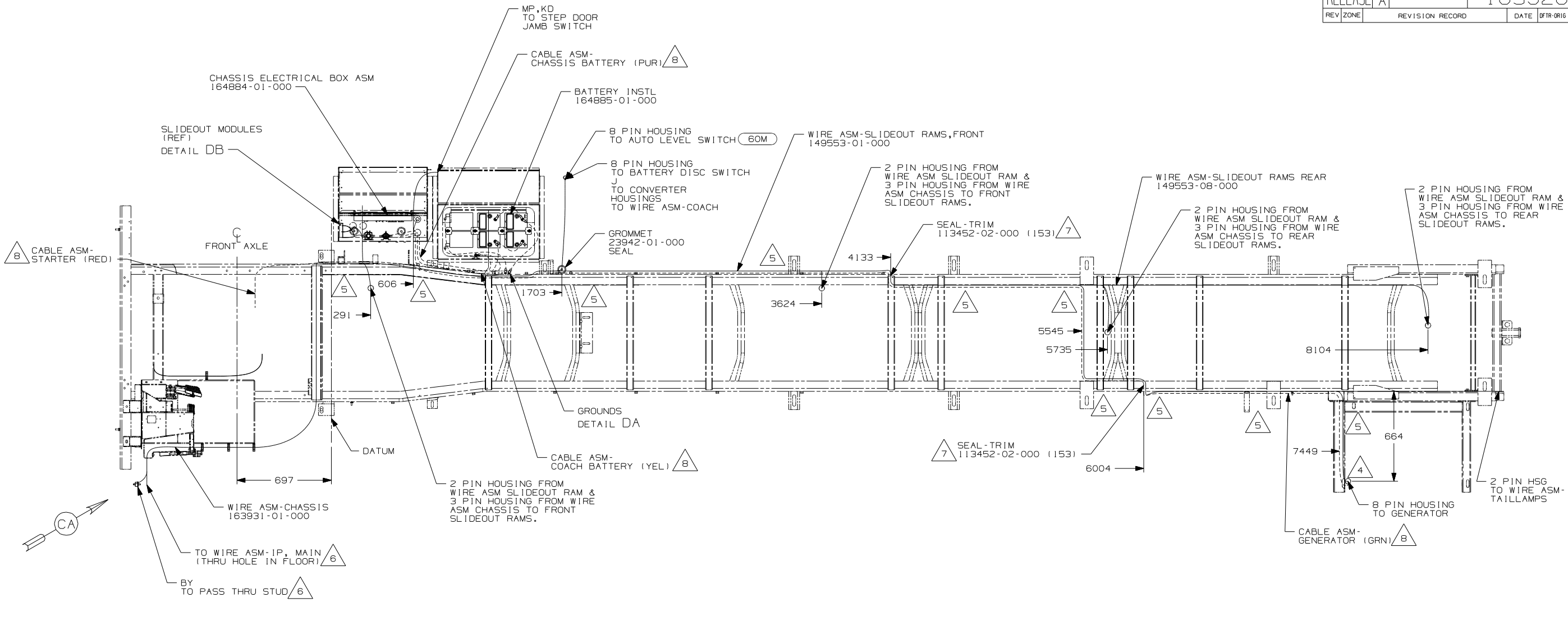
2. SECURE CONDUIT 41953-09, -10, -11, -13, AND -14 OVER ALL WIRES IN CONTACT WITH SHARP EDGES.

1. LEGEND: — WINNEBAGO: - - - - - CABLE: - - - - - CHASSIS SUPPLIED WIRING.

NOTES:

- 40B SLIDEOUT ROOM REAR LEFTHAND
- 40A INVERTER-DC/AC, 300 WATT
- 19D SLIDEOUT ROOM REAR LEFTHAND
- 1D2 SLIDEOUT ROOM-REAR RIFTHAND
- 092 SLIDEOUT ROOM - FRONT RIGHT
- 09L SLIDEOUT ROOM FRONT LEFT
- 265 CODES/STANDARDS - CSA/CMVSS
- 1B1 CODES/STANDARDS - USA

FIRST USED		08 D&E - SER	
DO NOT SCALE DRAWING			
TITLE: CHASSIS ELECTRICAL BOX ASM			
SHEET 2	PART NO	162709	REV



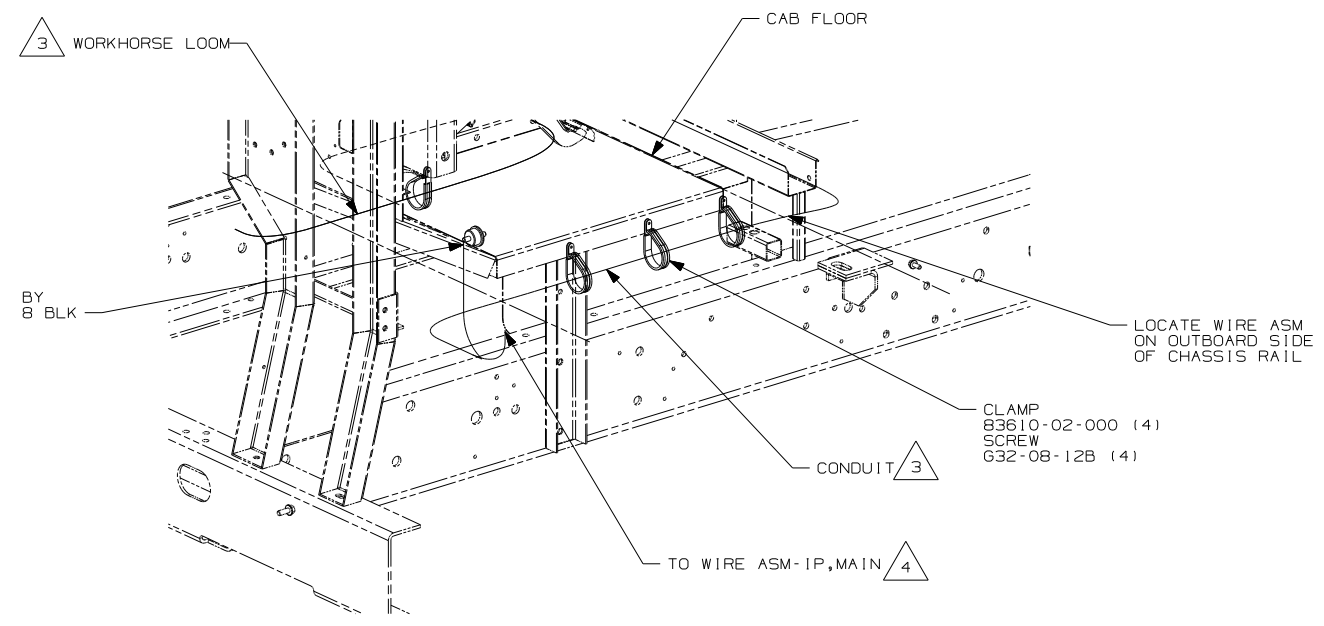
- (60M) HYDRAULIC LEVEL JACKS-AUTO
- (1PG) WORKHORSE 21,200# GVWR
- (265) CODES/STANDARDS - CSA/CMVSS
- (1B1) CODES/STANDARDS - USA

WINNEBAGO		COPYRIGHT 2006 WINNEBAGO INDUSTRIES, INC.	
DFTR	ORIG. DATE		
CHKR	ALL DIMENSIONS ARE IN MILLIMETERS		
P.E.			
M.E.	FIRST USED	08 D35J	
DSNR			
UNSPECIFIED TOLERANCES ARE:		MATERIAL:	
WHOLE DIM (X)	: 3		
ONE-PLACE (X.X)	: 1.5		
TWO-PLACE (X.XX)	: 0.50		
ANGLE	: 1°		
THIRD ANGLE PROJECTION		DO NOT SCALE DRAWING	
TITLE: WIRING INSTL-CHASSIS			
SHEET 1 of 4	PART NO	163926	
REF:	1 8/17/2007		

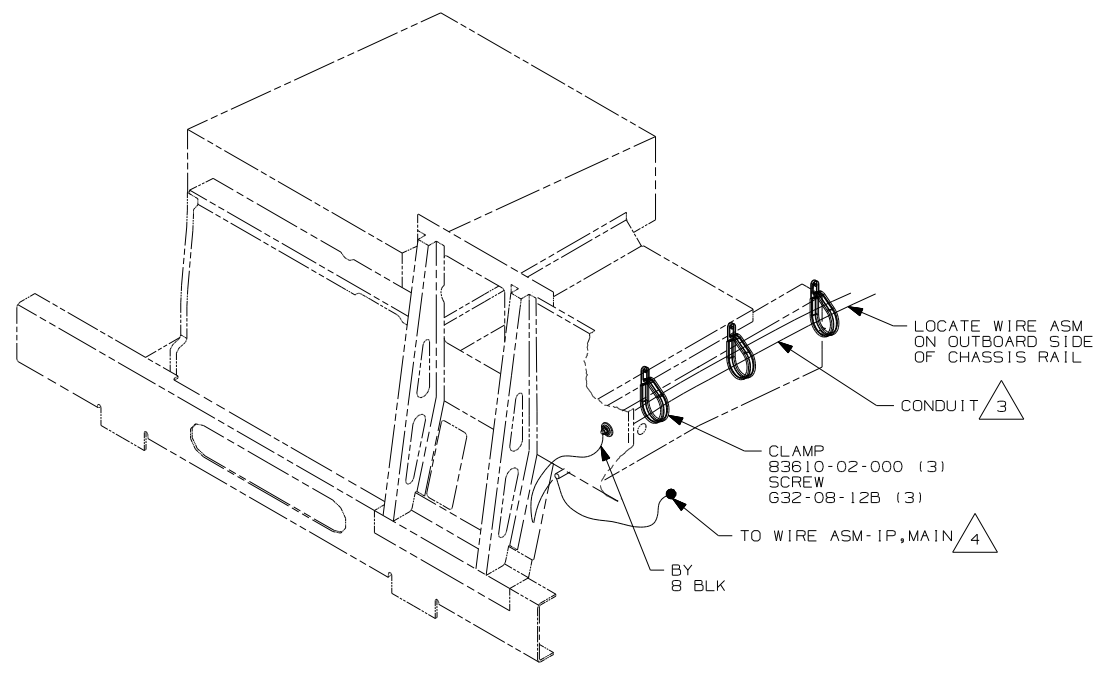
- 8 SEE BATTERY INSTALLATION FOR ADDITIONAL INFORMATION.
 - 7 COVER SHARP EDGES WHERE WIRE CROSSES FRAME RAIL.
 - 6 SEE WIRING INSTL-FRONT END FOR ADDITIONAL INFORMATION.
 - 5 CLAMP 83610-01-000, SCREW G11-10-16B.
 - 4 WIRE TIE 8343-04-000. FASTEN EVERY 600MM MINIMUM.
3. ALL DIMENSIONS ARE FROM DATUM UNLESS OTHERWISE SPECIFIED.
2. SECURE CONDUIT 41953, TAB AS REQUIRED, OVER ALL WIRES IN CONTACT WITH SHARP EDGES.
1. LEGEND: ——— WINNEBAGO: - - - - - CABLE: - - - - - CHASSIS SUPPLIED WIRING.
- NOTES:

FOR ELECTRICAL TORQUE SPECIFICATIONS SEE DWG NO. 128783-01-000

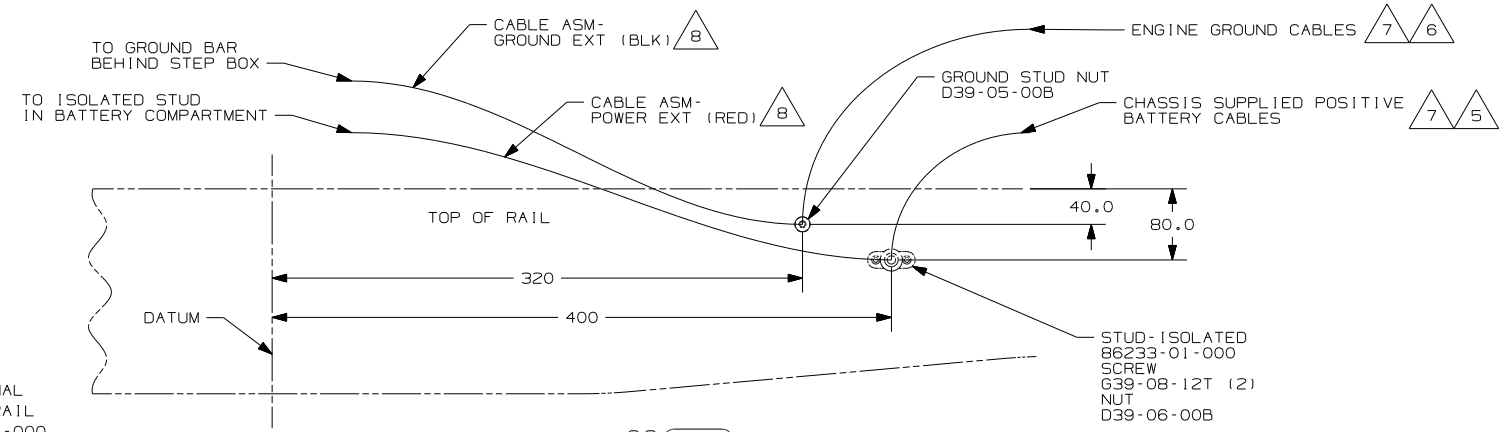
(X-X) FOR ELECTRICAL CALLOUTS SEE DWG NO. 121339-01-000



VIEW CA (IPG)



VIEW CB (16M)



VIEW CC (16H)

- 8 SEE BATTERY INSTL FOR ADDITIONAL INFORMATION.
- 7 SUPPLIED WITH CHASSIS
- 6 CUT CHASSIS SUPPLIED BATTERY GROUND CABLE 700MM FROM BATTERY TERMINAL AND ADD TERMINAL 8348-01-000 TO CUT END.
- 5 CUT CHASSIS SUPPLIED POSITIVE BATTERY CABLE 150MM FROM BATTERY TERMINAL END, DISCARD TERMINAL END AND ADD TERMINAL 113738-01-000 TO CUT END. COIL EXCESS CABLE ALONG FRAME RAIL JUST BEHIND THE RADIATOR AND TIE UP WITH TIE-WIRE 8343-04-000.
- 4 ROUTE WIRE THRU HOLE IN CAB FLOOR.
- 3 COVER WITH CONDUIT 41953-10-000 AND 41953-11-000 AS REQUIRED.

- 2. CONNECT CABLES TO COACH SIDE OF BATTERY DISCONNECT WHEN BATTERY DISCONNECT IS USED.
- 1. CUT OFF EXCESS END OF WIRE TIE.

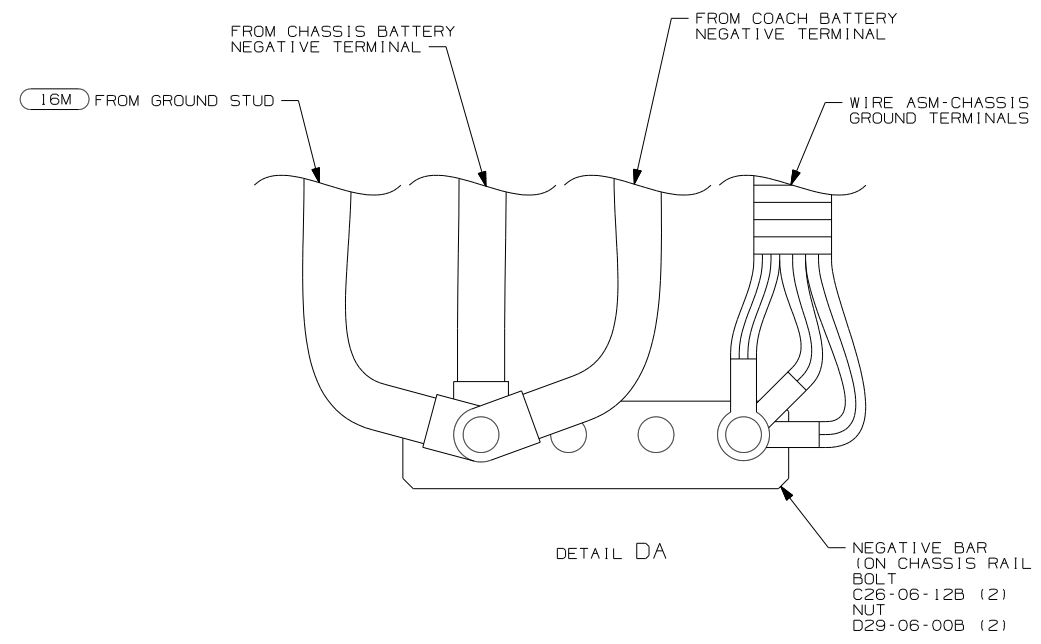
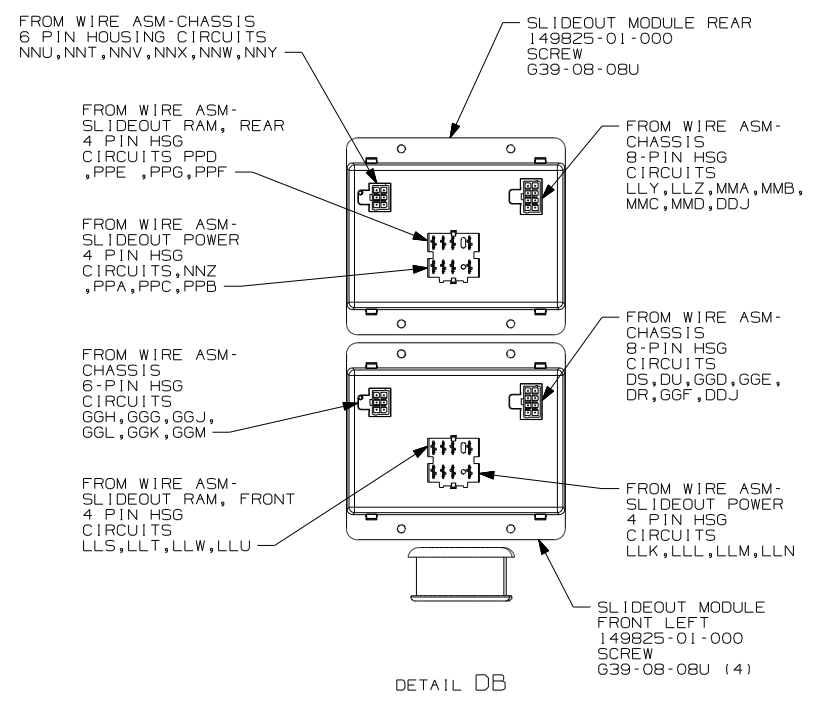
NOTES:

- (IPG) WORKHORSE 21,200# GVWR
- (16M) FORD CHASSIS 20,500#/V10 ENG
- (265) CODES/STANDARDS-CSA/CMVSS
- (1B1) CODES/STANDARDS USA

FIRST USED	08 D35J
TITLE	DO NOT SCALE DRAWING
TITLE	WIRING INSTL-CHASSIS
SHEET 3	PART NO 163926 REV

FOR ELECTRICAL TORQUE SPECIFICATIONS SEE DWG NO. 128783-01-000

(X-X) FOR ELECTRICAL CALLOUTS SEE DWG NO. 121339-01-000



16M FORD CHASSIS 20,500#/V10 ENG
 265 CODES/STANDARDS-CSA/CMVSS
 1B1 CODES/STANDARDS USA

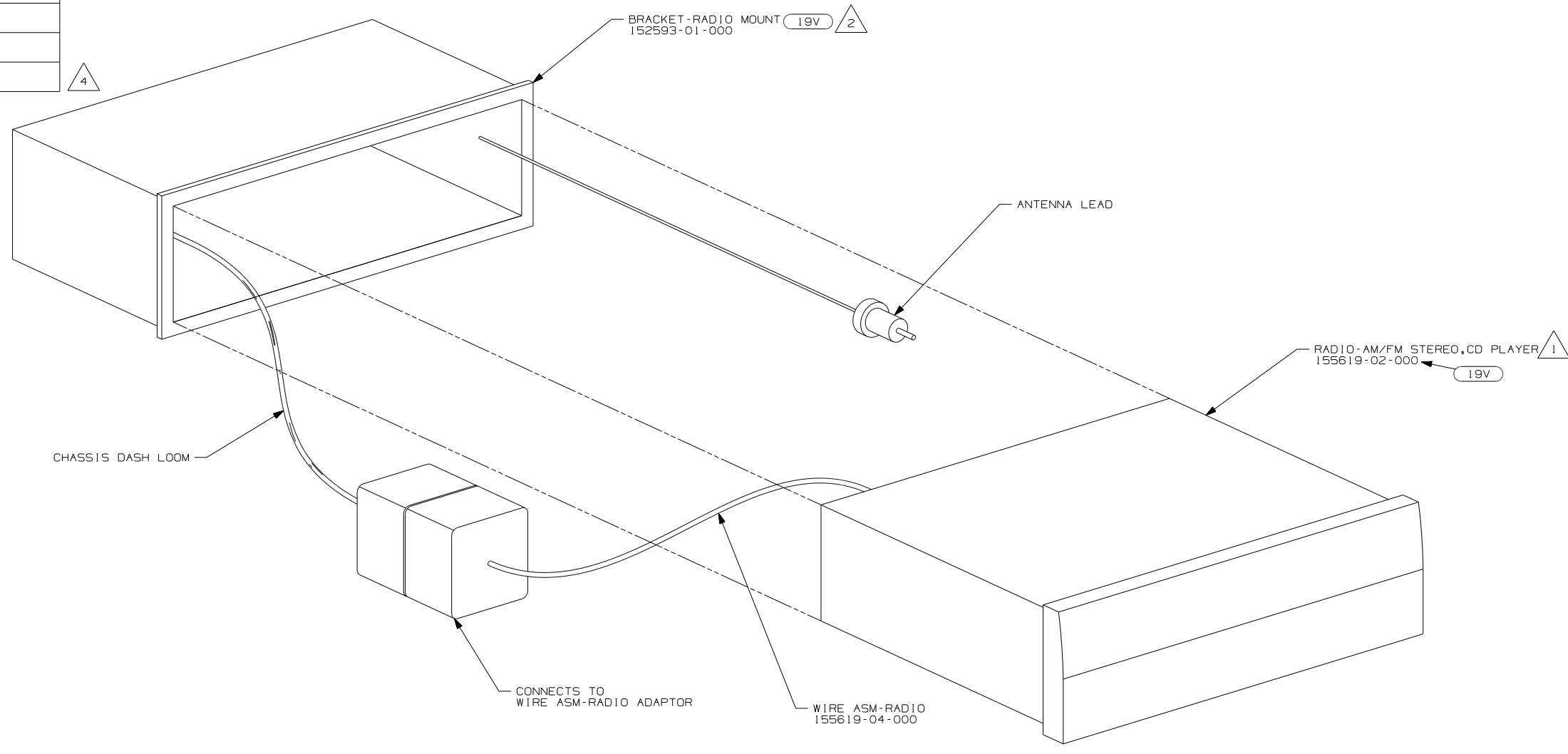
FIRST USED	08 D35J
TITLE	DO NOT SCALE DRAWING
	WIRING INSTL-CHASSIS
SHEET 4	PART NO 163926 REV

FOR ELECTRICAL TORQUE SPECIFICATIONS SEE DWG NO. 128783-01-000

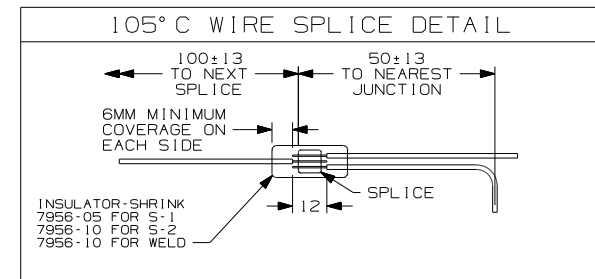
X-X FOR ELECTRICAL CALLOUTS SEE DWG NO. 121339-01-000

DRAWING NO.	SHEET	SERIES
160327-01	1	200
160327-02	2	300 & 700
160327-03	3	500
160327-04	4	F,G,M,P,R,S-SERIES
160327-05	5	E-SERIES
160327-06	6	D-SERIES
160327-07	7	B-VAN
160327-08	8	500

RELEASE	REV DATE	DWG NO
A		160327
REV ZONE	REVISION RECORD	DATE DFR-ORIG



- NOTES:
- 4 AFTER 03/12/08.
 - 3 BEFORE 03/12/08.
 - 2 INSTALL REAR RADIO SUPPORT BRACKET, ENGAGING T-RAIL ON BOTTOM OF RADIO UNTIL LOCKED IN PLACE.
 - 1 BEND TABS ON ALL 4 SIDES TO SECURE RADIO MOUNTING BRACKET TO DASH MOUNTING BRACKET.



FOR ELECTRICAL CALLOUTS SEE DWG NO. 121339-01-000

WINNEBAGO COPYRIGHT 2006 WINNEBAGO INDUSTRIES, INC.

DFTR	ORIG. DATE
CHKR	ALL DIMENSIONS ARE IN MILLIMETERS
P.E.	FIRST USED
M.E.	08 MOTORHOMES
DSNR	

UNSPECIFIED TOLERANCES ARE:

WHOLE DIM (X)	
ONE-PLACE (X.X)	1
TWO-PLACE (X.XX)	
ANGLE	

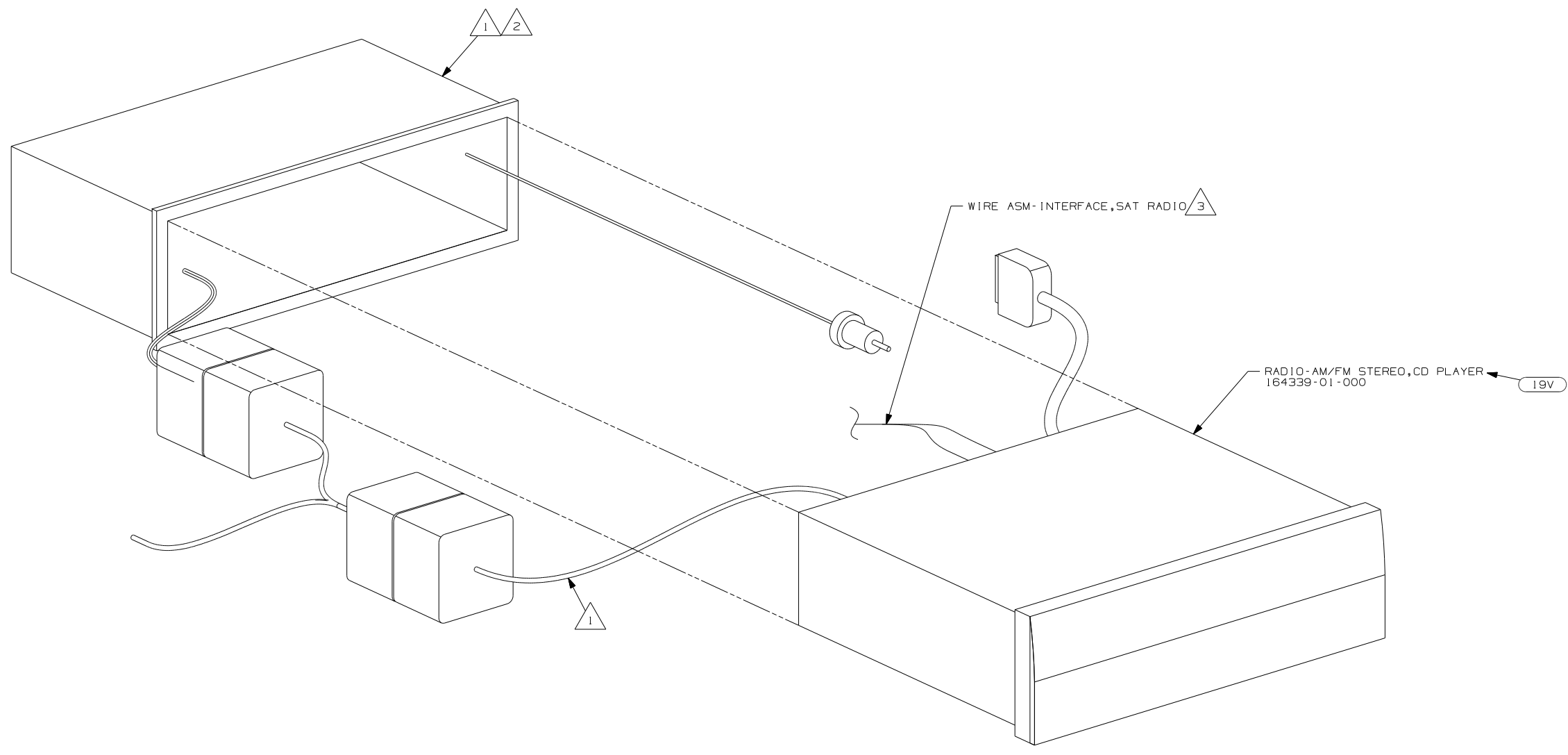
THIRD ANGLE PROJECTION

DO NOT SCALE DRAWING

TITLE: RADIO INSTL

SHEET 1 of 8 PART NO 160327 REV

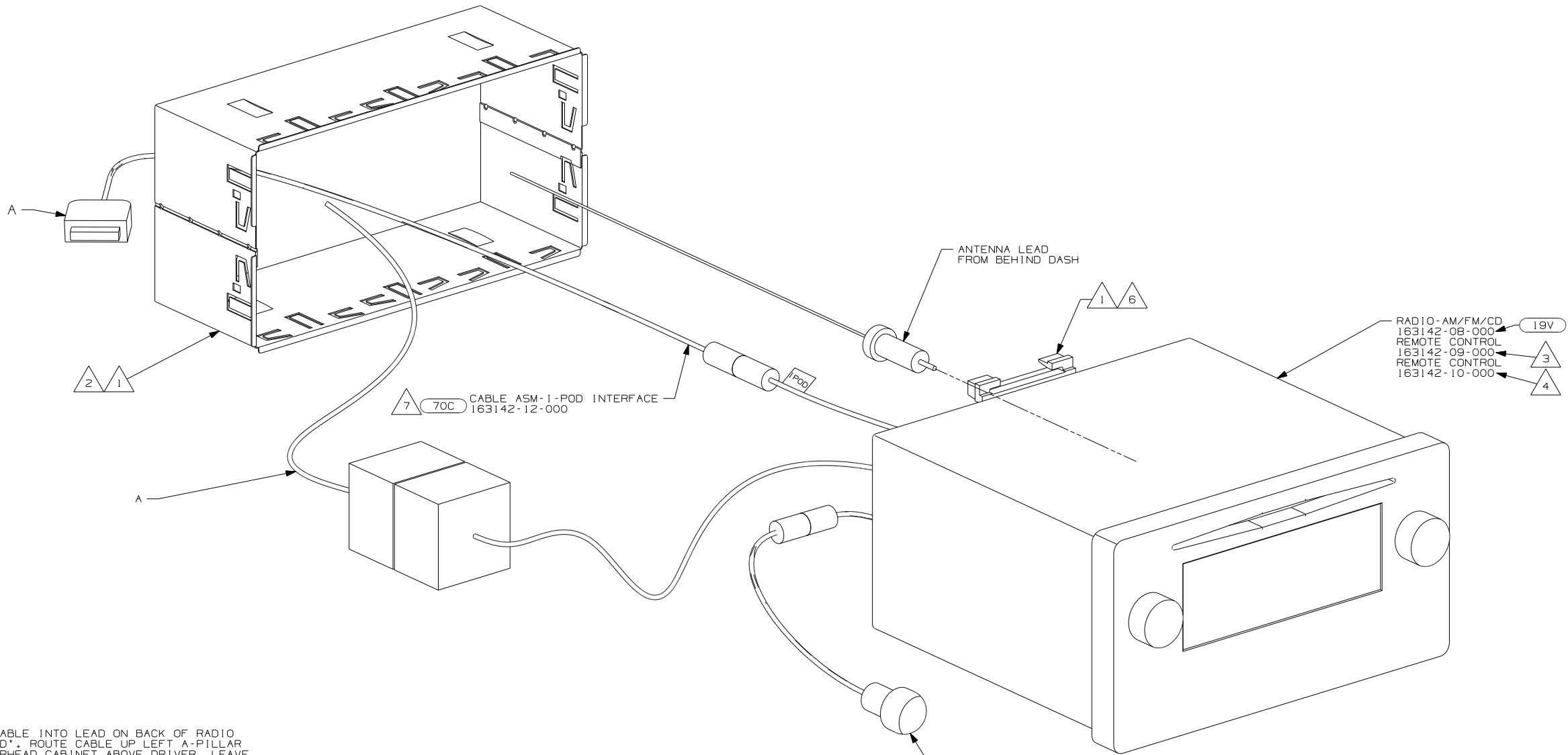
REF: 1 3/12/2008



- NOTES:
- 4 I-POD CABLE IS PERMANENTLY ATTACHED TO RADIO. DRILL A 30MM DIAMETER HOLE IN THE TOP, REAR OF THE POCKET UNDER THE RADIO. ROUTE THE I-POD CABLE INTO THE POCKET THROUGH THIS HOLE.
 - 3 TO SATELLITE RECEIVER. SEE ANTENNA INSTL-RADIO & CB FOR ADDITIONAL INFORMATION.
 - 2 BEND TABS ON ALL 4 SIDES TO SECURE MOUNTING BRACKET TO DASH OPENING.
 - 1 SUPPLIED WITH RADIO

19V RADIO-AM/FM STEREO CD PLAYER

FIRST USED	
08 MOTORHOMES	
DO NOT SCALE DRAWING	
TITLE: RADIO INSTL	
SHEET 3	PART NO 160327 REV



- 19V RADIO-AM/FM/CD
163142-08-000
- 3 REMOTE CONTROL
163142-09-000
- 4 REMOTE CONTROL
163142-10-000

7 70C CABLE ASM-1-POD INTERFACE
163142-12-000

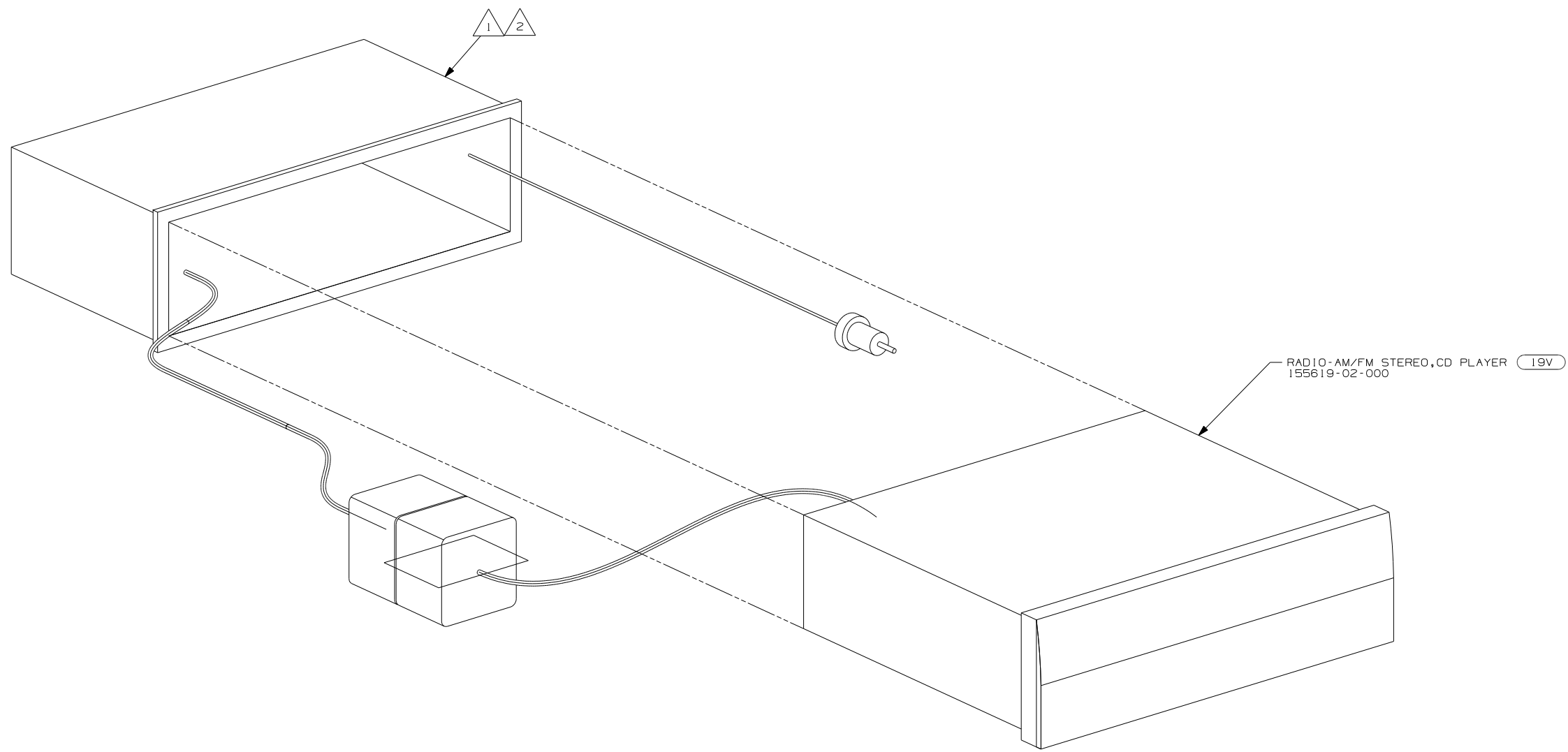
ANTENNA LEAD
FROM BEHIND DASH


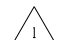
RECEIVER-INFRARED
163142-11-000

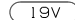
- 7 PLUG 1-POD CABLE INTO LEAD ON BACK OF RADIO MARKED '1-POD'. ROUTE CABLE UP LEFT A-PILLAR AND INTO OVERHEAD CABINET ABOVE DRIVER. LEAVE 600 MM OF CABLE IN OVERHEAD TIED UP WITH WIRE TIE 8343-01-000.
- 6 INSTALL REAR SUPPORT EITHER TO TOP EDGE OR BOTTOM EDGE OF RADIO DEPENDING ON LOCATION ON DASH.
- 5 INSTALL IN DASH BEZEL WITH SUPPLIED NUT. SEE 160588 FOR LOCATION.
- 4 INSTALL ON STEERING WHEEL PER DRAWING 160588.
- 3 TO BE SUPPLIED IN WINNEBAGOS OWNERS CASE
- 2 BEND TABS ON ALL 4 SIDES TO SECURE MOUNTING BRACKET TO DASH OPENING.
- 1 SUPPLIED WITH RADIO.

NOTES:

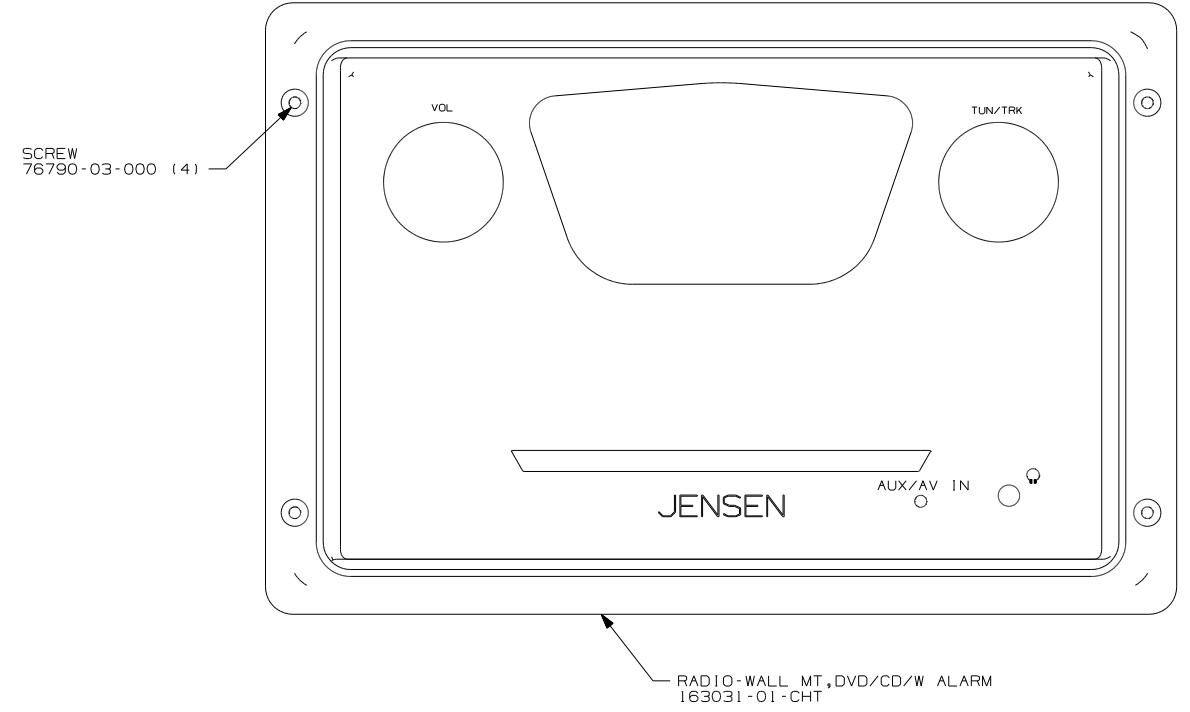
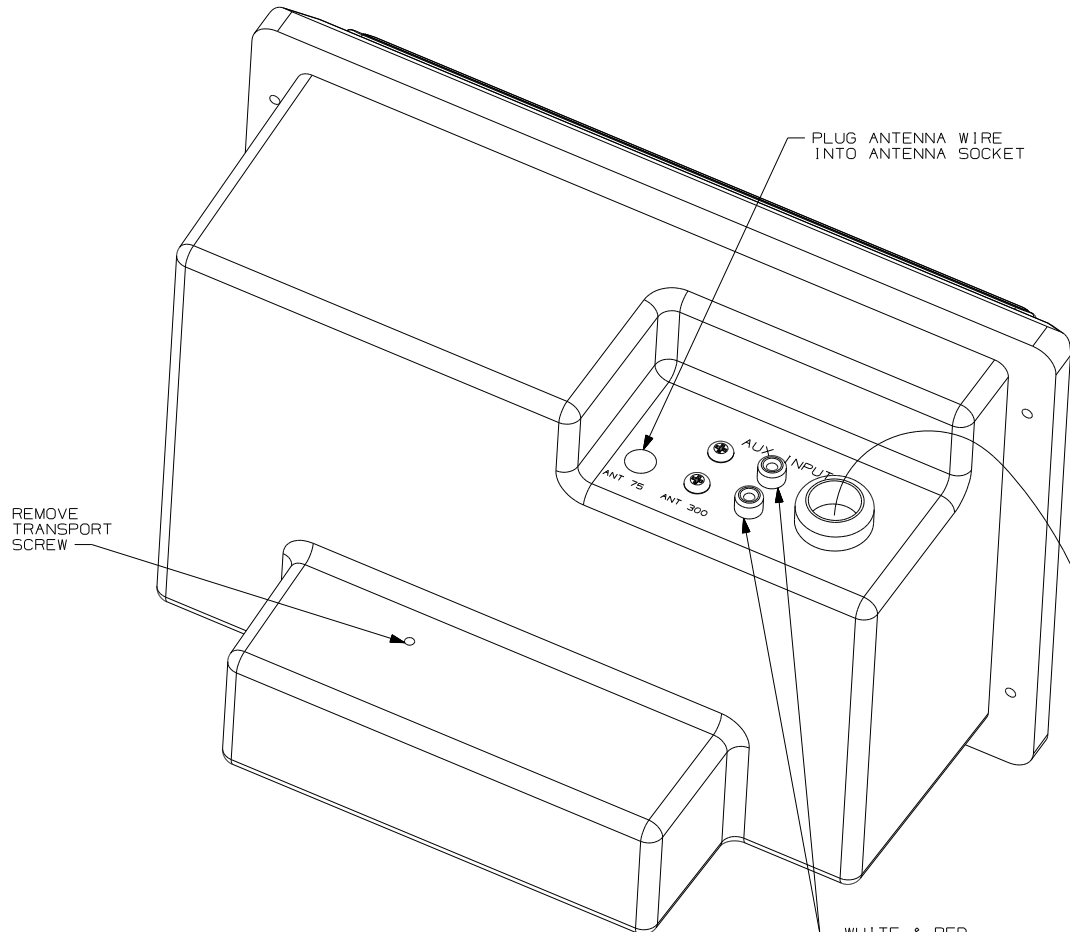
70C	RADIO-SATELLITE
19V	RADIO-AM/FM STEREO CD PLAYER
FIRST USED	
08 MOTORHOMES	
DO NOT SCALE DRAWING	
TITLE:	
RADIO INSTL	
SHEET 4	PART NO 160327 REV



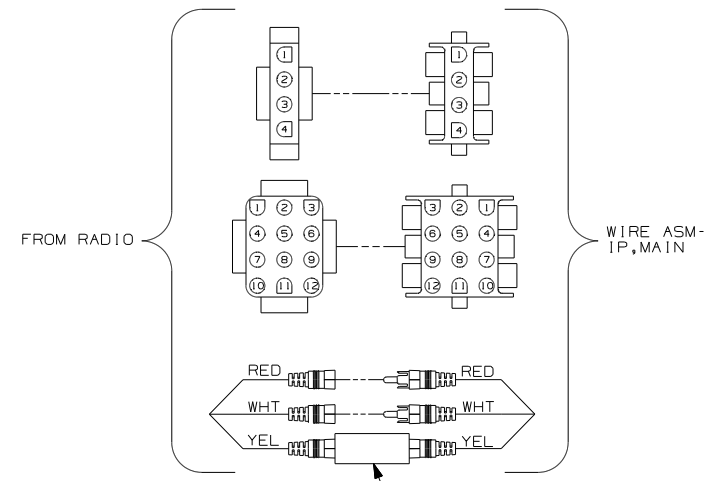
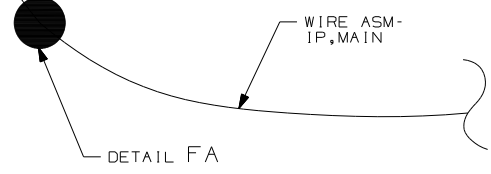
- NOTES:
-  BEND TABS ON ALL 4 SIDES TO SECURE MOUNTING BRACKET TO DASH OPENING.
 -  SUPPLIED WITH RADIO

 RADIO-AM/FM STEREO CD PLAYER

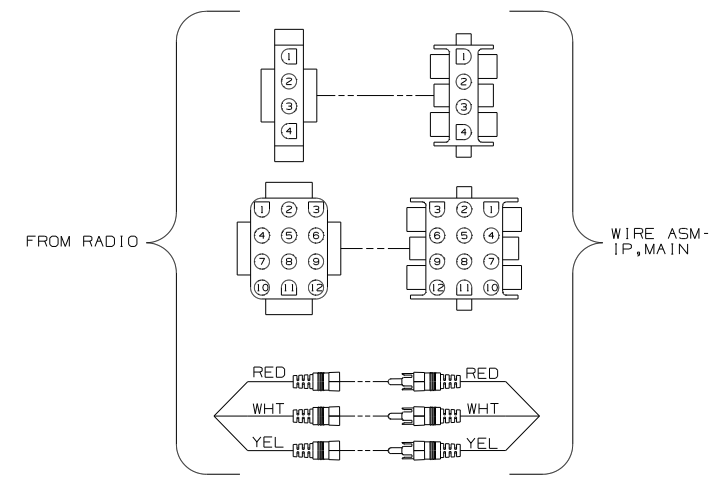
FIRST USED	08 MOTORHOMES	
TITLE:	DO NOT SCALE DRAWING	
SHEET	PART NO	REV
	160327	



WHITE & RED 2-WAY RCA CABLE FROM WIRE ASM IP,MAIN CONNECTS DIRECTLY TO AUX INPUT ON RADIO



DETAIL FA 40B



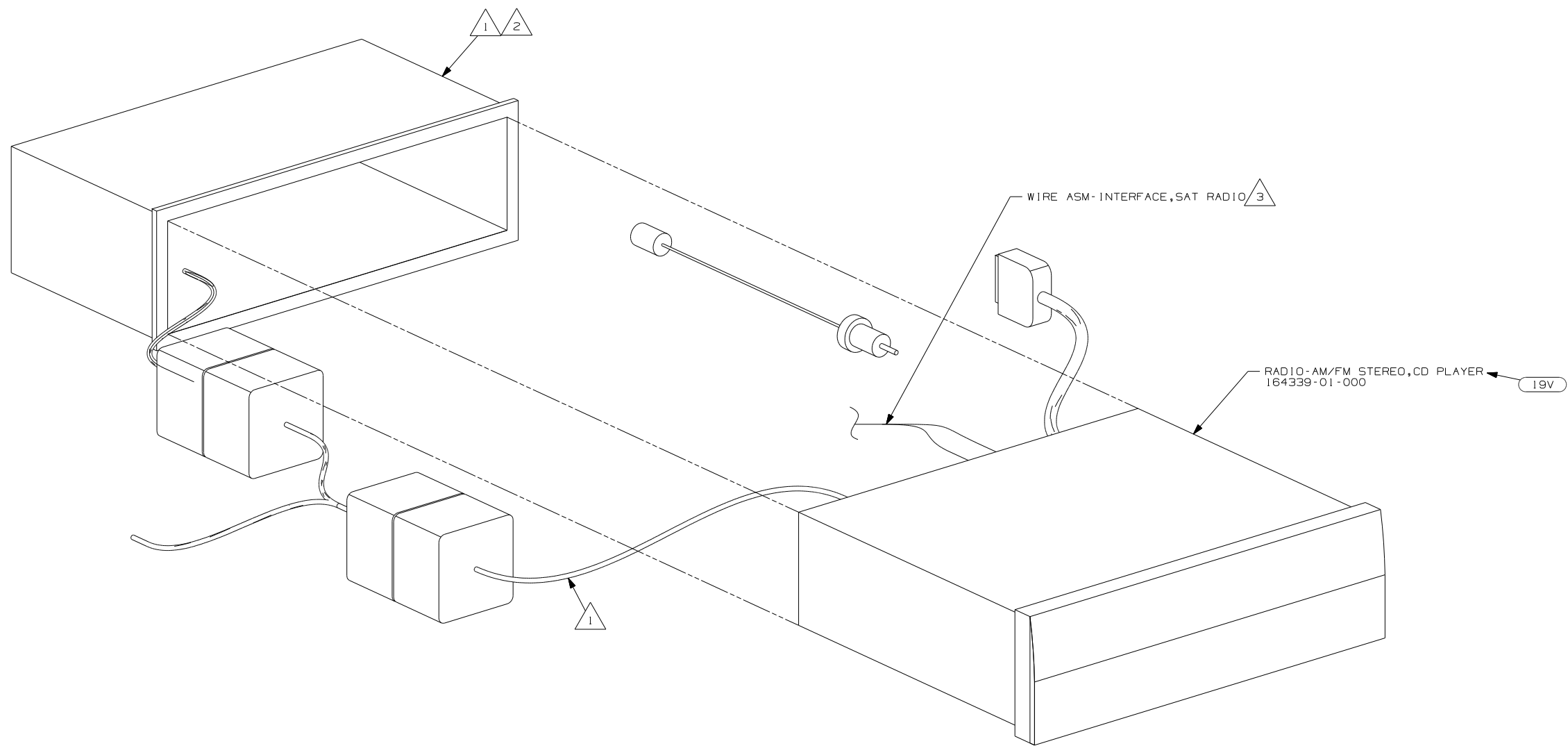
DETAIL FA 40A

- 40B INVERTER-DC/AC, 300 WATT
- 40A INVERTER-DC/AC WITHOUT
- 255 RADIO/AM/FM/CD/DVD PLAYER

1 CONNECTS IN-LINE OF YELLOW VIDEO CABLE. WRAP BOTH ENDS OF FILTER CONNECTIONS WITH TAPE 8363-01-000 TO SECURE FILTER TO WIRE ASM.

NOTES:

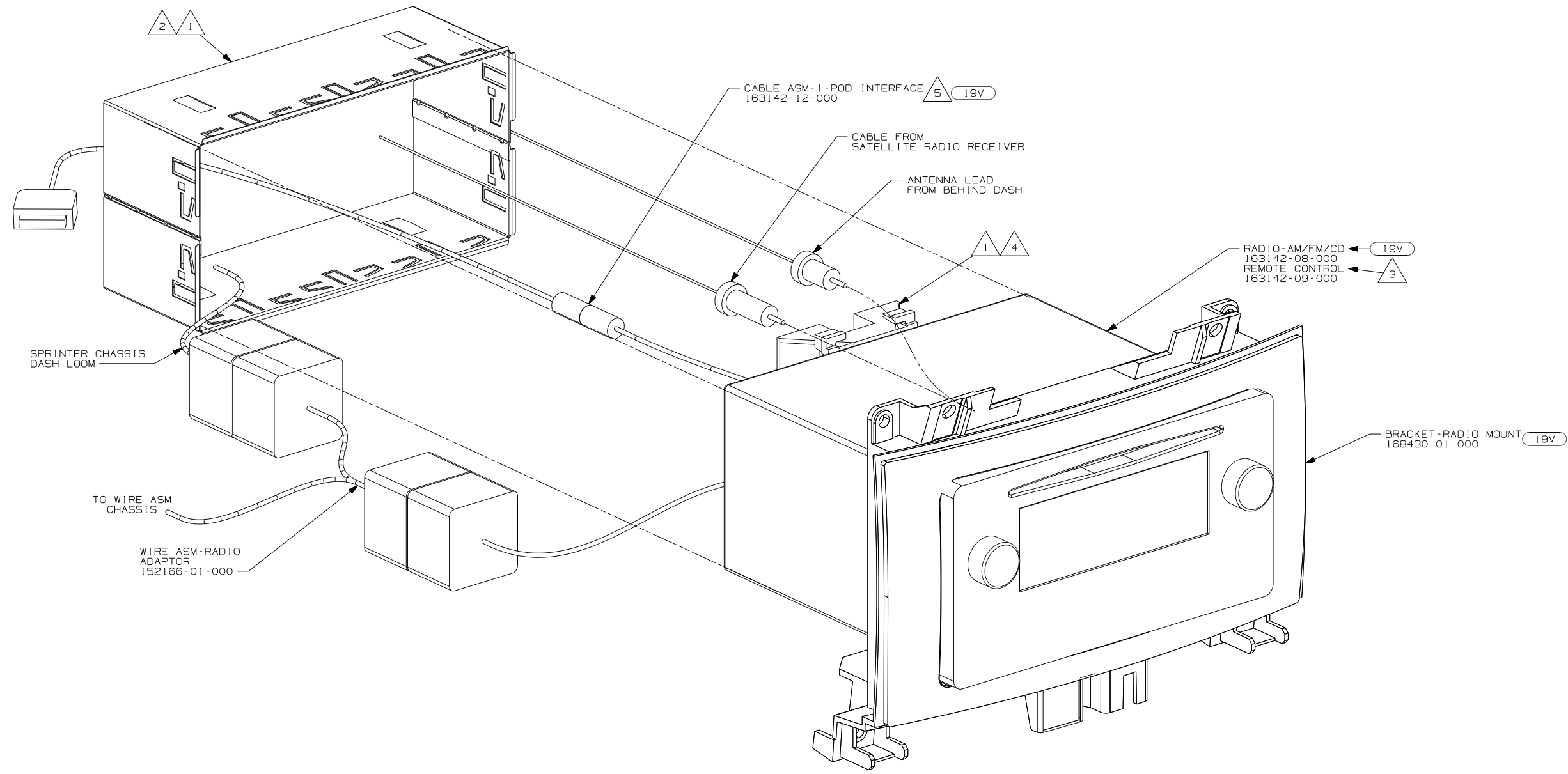
FIRST USED		08 D-SERIES	
DO NOT SCALE DRAWING			
TITLE:		RADIO INSTL	
SHEET 6	PART NO	160327	REV



- NOTES:
- 4 I-POD CABLE IS PERMANENTLY ATTACHED TO RADIO. DRILL A 30MM DIAMETER HOLE IN THE TOP, REAR OF THE POCKET UNDER THE RADIO. ROUTE THE I-POD CABLE INTO THE POCKET THROUGH THIS HOLE.
 - 3 TO SATELLITE RECEIVER. SEE ANTENNA INSTL-RADIO & CB FOR ADDITIONAL INFORMATION.
 - 2 BEND TABS ON ALL 4 SIDES TO SECURE MOUNTING BRACKET TO DASH OPENING.
 - 1 SUPPLIED WITH RADIO

19V RADIO-AM/FM STEREO CD PLAYER

FIRST USED	
08 MOTORHOMES	
DO NOT SCALE DRAWING	
TITLE: RADIO INSTL	
SHEET 7	PART NO 160327 REV



- 5 PLUG I-POD CABLE INTO LEAD ON BACK OF RADIO MARKED I-POD. DRILL 16 MM DIAMETER HOLE IN THE TRAY ABOVE THE RADIO. THE HOLE IS TO BE LOCATED ON THE PASSENGER SIDE OF THE TRAY 50 MM FROM THE END NEAREST THE WINDSHIELD. ROUTE I-POD CABLE INTO THE TRAY AND LEAVE 200 MM OF WIRE IN THE TRAY.
- 4 INSTALL REAR SUPPORT TO TOP EDGE OF RADIO.
- 3 TO BE SUPPLIED IN WINNEBAGOS OWNERS CASE
- 2 BEND TABS ON ALL 4 SIDES TO SECURE MOUNTING BRACKET TO DASH OPENING.
- 1 SUPPLIED WITH RADIO.

NOTES:

- 70C RADIO - SATELLITE
- 19V RADIO-AM/FM STEREO CD PLAYER
- 265 CODES/STANDARDS-CSA/CMVSS
- 1B1 CODES/STANDARDS USA

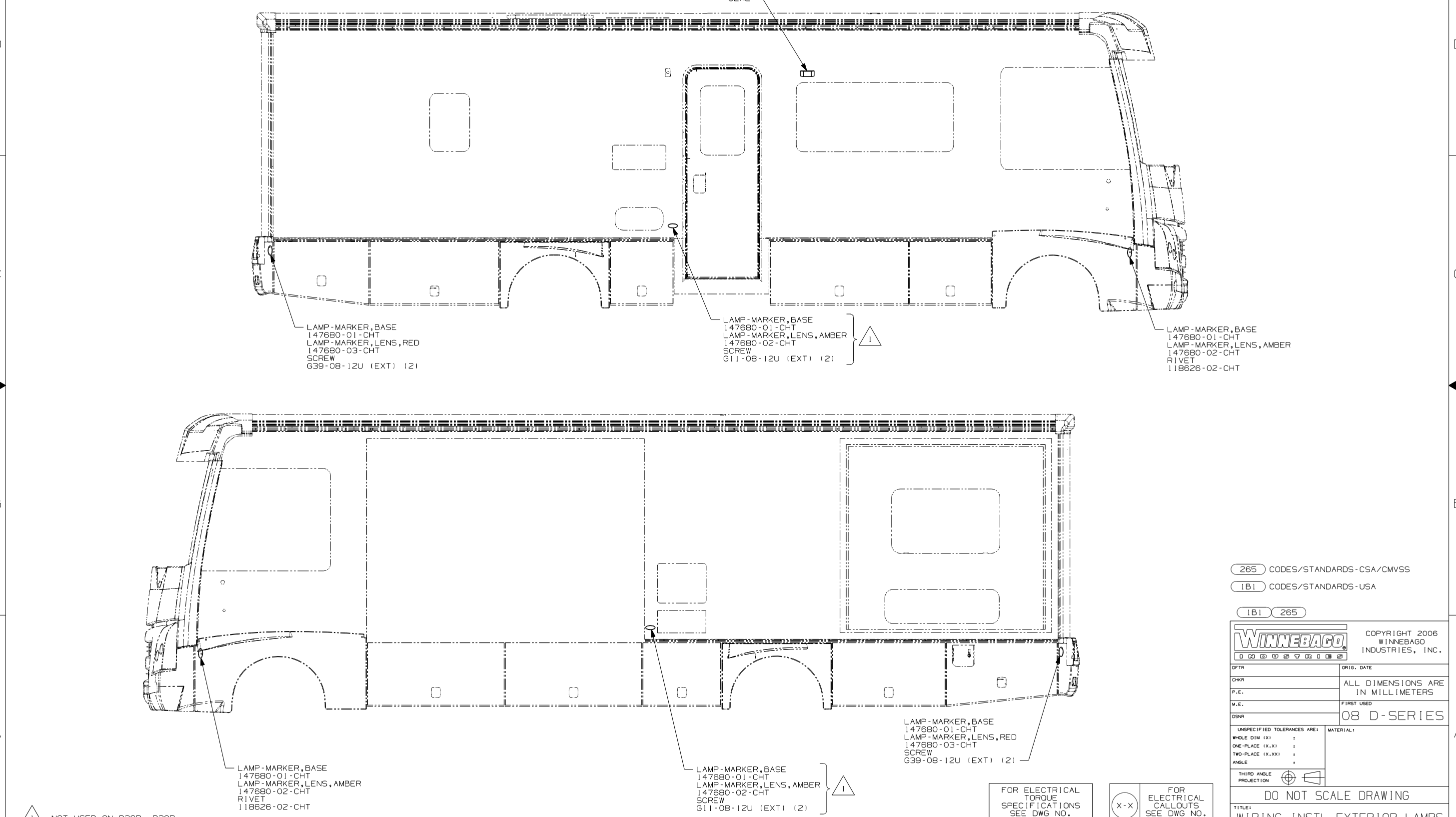
1B1 265	
FIRST USED	
08 MOTORHOMES	
DO NOT SCALE DRAWING	
TITLE: RADIO INSTL	
SHEET 8	PART NO 160327 REV

FOR ELECTRICAL TORQUE SPECIFICATIONS SEE DWG NO. 128783-01-000

X-X FOR ELECTRICAL CALLOUTS SEE DWG NO. 121339-01-000

DRAWING NO.	MODEL
162635-01	D30B, D34A, D35N
162635-02	D26P, D29R

RELEASE	REV DATE	DWG NO	162635
REV ZONE	REVISION RECORD	DATE	DFTR-0R1G



LAMP-MARKER, BASE
147680-01-CHT
LAMP-MARKER, LENS, RED
147680-03-CHT
SCREW
639-08-12U (EXT) (2)

LAMP-MARKER, BASE
147680-01-CHT
LAMP-MARKER, LENS, AMBER
147680-02-CHT
SCREW
611-08-12U (EXT) (2)

LAMP-MARKER, BASE
147680-01-CHT
LAMP-MARKER, LENS, AMBER
147680-02-CHT
RIVET
118626-02-CHT

LAMP-MARKER, BASE
147680-01-CHT
LAMP-MARKER, LENS, AMBER
147680-02-CHT
RIVET
118626-02-CHT

LAMP-MARKER, BASE
147680-01-CHT
LAMP-MARKER, LENS, AMBER
147680-02-CHT
SCREW
611-08-12U (EXT) (2)

LAMP-MARKER, BASE
147680-01-CHT
LAMP-MARKER, LENS, RED
147680-03-CHT
SCREW
639-08-12U (EXT) (2)

NOTES:
1 NOT USED ON D26P, D29R.

FOR ELECTRICAL TORQUE SPECIFICATIONS SEE DWG NO. 128783-01-000

FOR ELECTRICAL CALLOUTS SEE DWG NO. 121339-01-000

265 CODES/STANDARDS-CSA/CMVSS
1B1 CODES/STANDARDS-USA
1B1 265

WINNEBAGO COPYRIGHT 2006 WINNEBAGO INDUSTRIES, INC.

DFTR	ORIG. DATE
CHKR	ALL DIMENSIONS ARE IN MILLIMETERS
P.E.	
M.E.	FIRST USED
DSNR	08 D-SERIES
UNSPECIFIED TOLERANCES ARE:	MATERIAL:
HOLE DIM (X) :	
ONE-PLACE (X.X) :	
TWO-PLACE (X.XX) :	
ANGLE :	
THIRD ANGLE PROJECTION	

DO NOT SCALE DRAWING

TITLE: WIRING INSTL-EXTERIOR LAMPS

SHEET 1 of 3 PART NO 162635 REV

REF: 1 9/10/2007

LAMP-MARKER,BASE
147680-01-CHT (5)
LAMP-MARKER,LENS,AMBER
147680-02-CHT (5)
SCREW
611-08-12U (EXT) (10)

WIRE ASM-CLEARANCE LAMPS
129943-01-000

2 PIN HOUSING TO WIRE
ASM-CLEARANCE LAMPS

2 PIN HOUSING
TO WIRE ASM-BACKWALL

WIRE ASM-CLEARANCE LAMPS,RR
132085-02-000

LAMP-MARKER,BASE
147680-01-CHT (5)
LAMP-MARKER,LENS,RED
147680-03-CHT (5)
SCREW
611-08-12U (EXT) (10)

WIRE IN
BACKWALL

LAMP ASM-BRAKE
136916-01-000
SCREW
611-08-20T (2)
CONNECTOR
58028-01-000 (2)
BLK/WHT TO YEL
BLK TO WHT

LIGHT ASM-STOP/TURN
152352-03-000 (2) 4
BULB
37935-01-000 (2)
SCREW
611-06-24B (EXT) (8)

LIGHT ASM-BACKUP
152352-01-000 (2) 4
BULB
37934-01-000 (2)
SCREW
611-06-24B (EXT) (8)

CONNECTOR-TRAILER
CONNECTOR-PLUG,TRAILER

REFLECTOR-OVAL
157998-01-000 (2)
SCREW
611-06-16B (4)

LAMP-LICENSE PLATE
87201-01-000
SCREW
611-06-12U (EXT) (2)

SCREW
157288-01-CHT (7)

SCREW
157288-01-CHT (7)

SCREW
157288-02-CHT

SCREW
157288-02-CHT

NUT
76327-01-000 (3)

HEADLAMPS
(BACK VIEW)

- (IPJ) WORKHORSE 16,000# GVWR (W16)
- (16M) FORD CHASSIS 20,500#/V10 ENG
- (IPL) WORKHORSE 18,000# GVWR (W18)
- (16H) FORD CHASSIS 18,000#/V10 ENG
- (IPN) WORKHORSE 20,700#
- (240) TRAILER HITCH
- (265) CODES/STANDARDS-CSA/CMVSS
- (1B1) CODES/STANDARDS USA

(1B1) (265)

FIRST USED	
08 D-SERIES	
DO NOT SCALE DRAWING	
TITLE: WIRING INSTL-EXTERIOR LAMPS	
SHEET 2	PART NO 162635
REV	

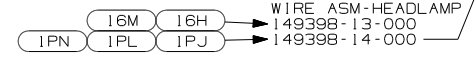
FOR ELECTRICAL
TORQUE
SPECIFICATIONS
SEE DWG NO.
128783-01-000

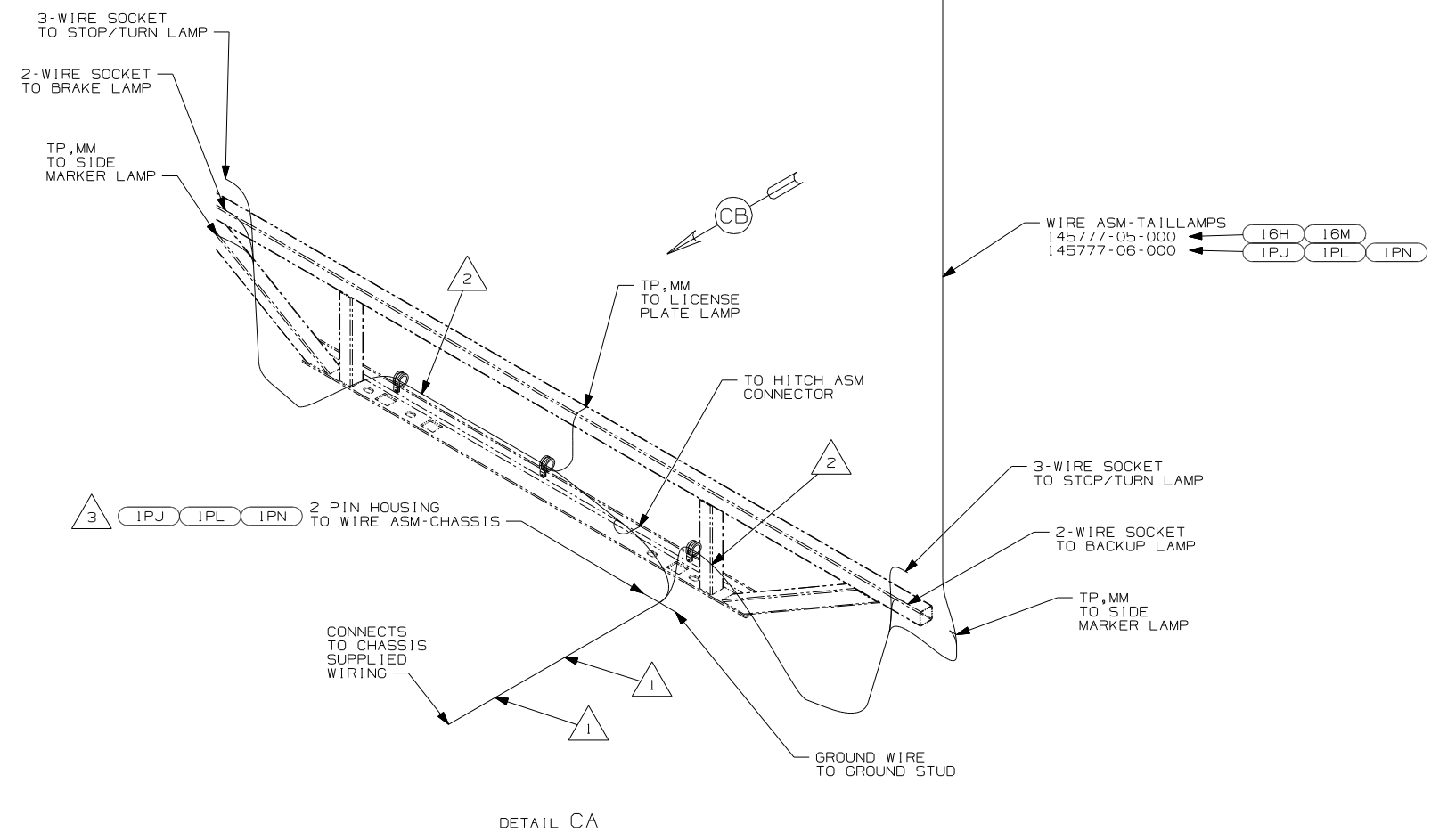
(X-X)
FOR ELECTRICAL
CALLOUTS
SEE DWG NO.
121339-01-000

- 8 THE 2 PIN HOUSING WITH CIRCUITS NB & DDM, FOR THE RIGHT SIDE, AND NB & DDL FOR THE LEFT SIDE IS TO BE PLUGGED INTO THE OUTBOARD LOW BEAM HEADLAMP.
- 7 THE 2 PIN HOUSING WITH CIRCUITS NA & DDM, FOR THE RIGHT SIDE, AND NA & DDL FOR THE LEFT SIDE IS TO BE PLUGGED INTO THE OUTBOARD LOW BEAM HEADLAMP.
- 6 SEE BUMPER-REAR ASM FOR ADDITIONAL INFORMATION.
- 5 CONNECTOR-PLUG,TRAILER 146246-01-000 TO BE SUPPLIED IN COACH WITH (240)
- 4 MOUNT TAILLAMPS SO THAT THE TAILLAMPS LABEL 'TOP' IS IN THE UP POSITION.
- 3 SECURE WIRE ASM APPROX. EVERY 450 TO BATTERY CABLES AND BRACKETS. USE TIE-WIRE 8343-01-000 OR 93147-01-000 AS APPROPRIATE.
- 2 CLEAN PAINT OFF METAL (BOLT) BEFORE CONNECTING GROUND TO INSURE CONTACT. ALSO MOUNT CHASSIS SUPPLIED HORN TO GROUND BOLT.

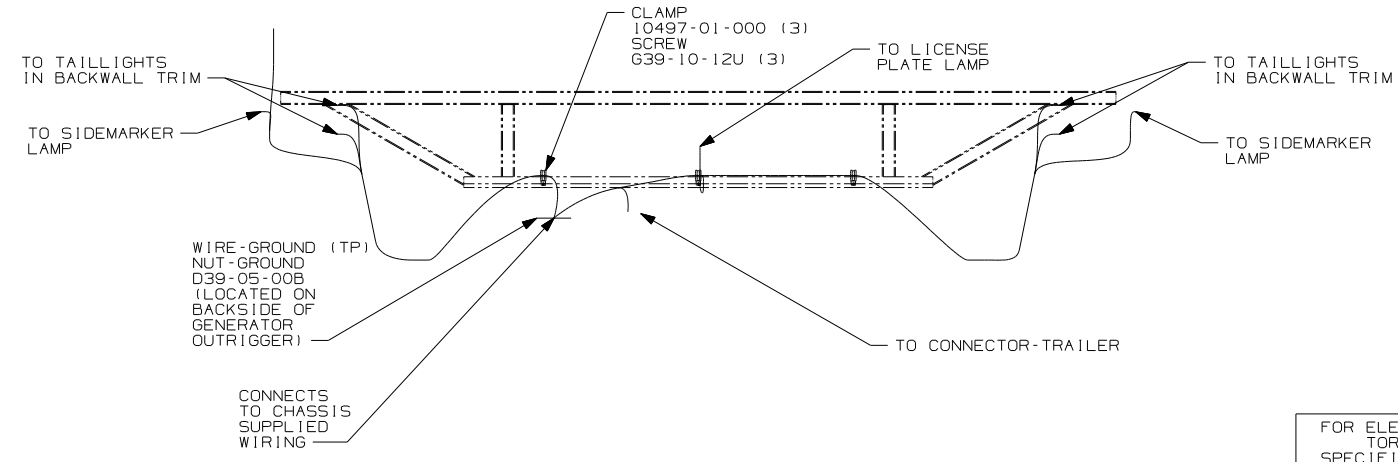
1. GATHER ALL EXCESS WIRE AFTER MAKING ALL CONNECTIONS AND BUNDLE AND SECURE WITH TIE-WIRE 8343-01-000 OR 93147-01-000.

NOTES:





DETAIL CA



VIEW CB

- NOTES:
- 3 FOR UNITS WITH GENERATOR ON LEFT SIDE, ROUTE ALONG LEFT FRAME RAIL, WITH GENERATOR ON RIGHT SIDE, ROUTE BACK TOWARD HITCH ASM CONNECTOR.
 - 2 WIRE TO BE ROUTED ON BACK SIDE OF RISER.
 - 1 WIRE TIE 8343-02. FASTEN TO FRAME AT LEAST ONCE EVERY 600MM.

- 1PN WORKHORSE 20,700#
- 16M FORD CHASSIS 20,500#/V10 ENG
- 16H FORD CHASSIS 18,000#/V10 ENG
- 1PL WORKHORSE 18,000# GVWR (W18)
- 1PJ WORKHORSE 16,000# GVWR (W16)
- 265 CODES/STANDARDS-CSA/CMVSS
- 1B1 CODES/STANDARDS USA

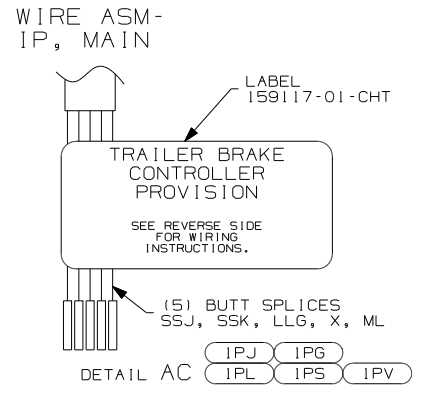
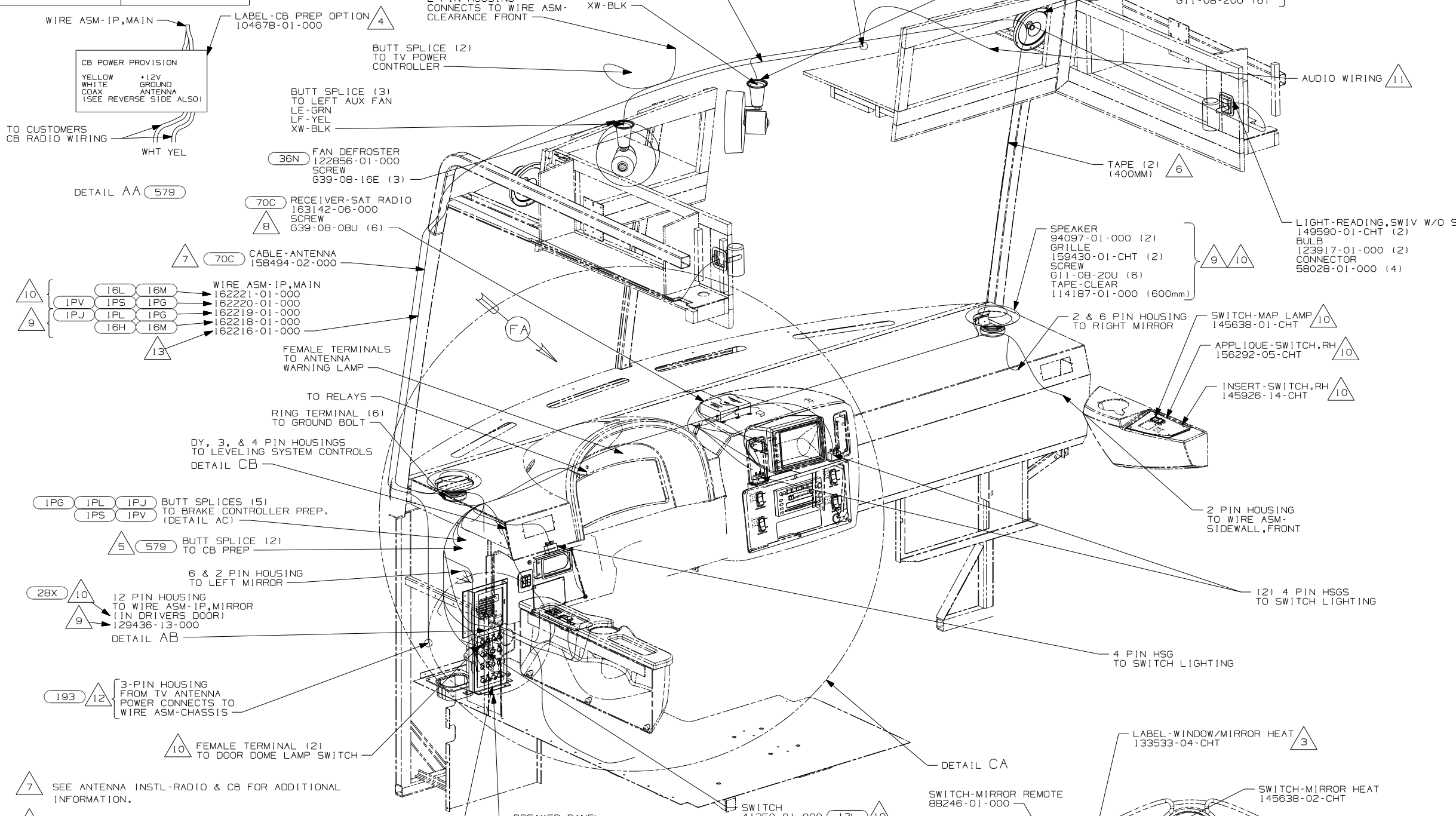
FOR ELECTRICAL TORQUE SPECIFICATIONS SEE DWG NO. 128783-01-000

FOR ELECTRICAL CALLOUTS SEE DWG NO. 121339-01-000

FIRST USED	
08 D-SERIES	
DO NOT SCALE DRAWING	
TITLE: WIRING INSTL-EXTERIOR LAMPS	
SHEET 3	PART NO 162635 REV

DRAWING NO.	MODEL
161625-01	E-SERIES
161625-02	D-SERIES
161625-03	F-SERIES

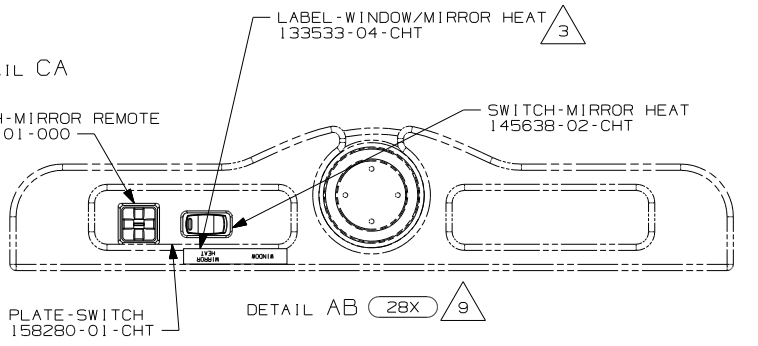
RELEASE	REV/DATE	DWG NO
	A	161625
REV ZONE	REVISION RECORD	DATE
		DFTR-ORIG



- (193) TV ANTENNA-AMPLIFIED SYSTEM
- (579) RADIO - CB WIRE PREP
- (16H) FORD CHASSIS 18,000#/V10 ENG
- (1PL) WORKHORSE 18,000# GVWR (W18)
- (1PJ) WORKHORSE 16,000# GVWR (W16)
- (1PV) WORKHORSE 24,000#-22.5 TIRE
- (1PG) WORKHORSE 21,200# GVWR
- (1PS) WORKHORSE 22,000#-22.5 TIRE
- (16M) FORD CHASSIS 20,500#/V10 ENG
- (70C) RADIO - SATELLITE
- (36N) FANS-DEFROSTER, AUXILIARY
- (12L) DOOR-DRIVER
- (16L) FORD 22,000#-22.5 AL WHL

- 7 SEE ANTENNA INSTL-RADIO & CB FOR ADDITIONAL INFORMATION.
 - 6 USE TAPE 136748-01-000 TO SECURE WIRES IN A-POST.
 - 5 SEE DETAIL AA.
 - 4 EDGE OF LABEL TO HANG JUST BELOW BOTTOM OF DASH.
 - 3 CUT LABEL TO READ ONLY MIRROR HEAT. POSITION NEXT TO MIRROR HEAT SWITCH AS SHOWN.
 - 2 COVER EACH SPEAKER GRILL WITH TAPE-CLEAR 114187-01-000 (600 MM).
- NOTES:
- WINNEBAGO WIRE ASSEMBLIES ARE SHOWN FOR CLARITY.

- 12 USED ON F335 & F385 ONLY
- 11 SEE WIRING INSTL-TV/DVD,FRONT FOR ADDITIONAL INFORMATION.
- 10 F-SERIES
- 9 D-SERIES
- 8 CONNECT CABLE SUPPLIED WITH SATELLITE RADIO TO RECEIVER & PLUG INTO BACK OF RADIO.
- 14 SEAL TO BE INSTALLED OVER SWITCH PLUNGER.
- 13 E-SERIES



FOR ELECTRICAL TORQUE SPECIFICATIONS SEE DWG NO. 128783-01-000

X-X FOR ELECTRICAL CALLOUTS SEE DWG NO. 121339-01-000

WINNEBAGO COPYRIGHT 2006 WINNEBAGO INDUSTRIES, INC.

DFTR	ORIG. DATE
CHKR	ALL DIMENSIONS ARE IN MILLIMETERS
P.E.	FIRST USED
M.E.	08 E,D,F-SER
DSNR	

UNSPECIFIED TOLERANCES ARE: MATERIAL:

WHOLE DIM (X)	: 3
ONE-PLACE (X.X)	: 1.5
TWO-PLACE (X.XX)	: 0.50
ANGLE	: 1°

THIRD ANGLE PROJECTION

DO NOT SCALE DRAWING

TITLE: **WIRING INSTL-FRONT END**

SHEET 1 OF 5 PART NO. **161625** REV

REF: **1 8/8/2007**

6
CIRCUIT BREAKER-15 AMP
93654-02-000
SCREW
G52-06-05B
LOCKWASHER
OME02B-04-071

CIRCUIT BREAKER-15 AMP
93654-02-000 (3)
SCREW
G52-06-05B (3)
LOCKWASHER
OME02B-04-071 (3)

LABEL-CIRCUIT BREAKER
93236-47-000

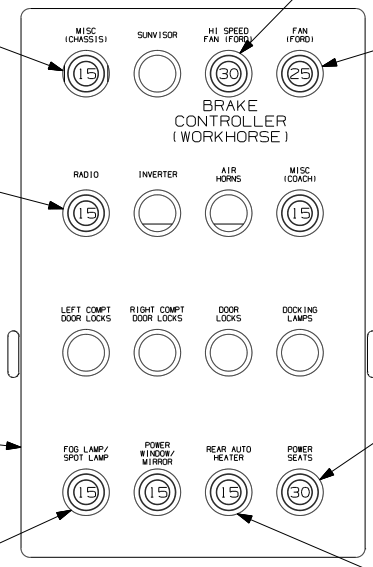
57M
CIRCUIT BREAKER-15 AMP
93654-02-000
SCREW
G52-06-05B
LOCKWASHER
OME02B-04-071

CIRCUIT BREAKER-30 AMP
93655-02-000
SCREW
G52-06-04B
G52-06-05B
LOCKWASHER
OME02B-04-071 (2)

CIRCUIT BREAKER-25 AMP
93655-01-000
SCREW
G52-06-04B
G52-06-05B
LOCKWASHER
OME02B-04-071 (2)

CIRCUIT BREAKER-30 AMP
93655-02-000
SCREW
G52-06-04B
G52-06-05B
LOCKWASHER
OME02B-04-071 (2)

CIRCUIT BREAKER-15 AMP
93654-02-000
SCREW
G52-06-05B
LOCKWASHER
OME02B-04-071

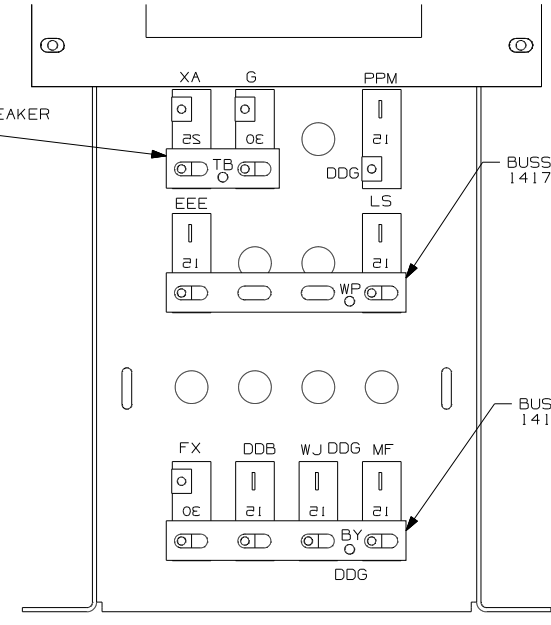


VIEW BB

BUSS BAR CIRCUIT BREAKER
141744-01-000

BUSS BAR CIRCUIT BREAKER
141744-03-000

BUSS BAR CIRCUIT BREAKER
141744-03-000

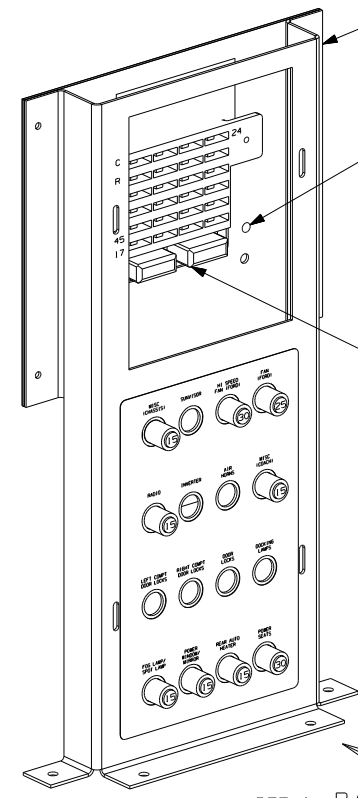


VIEW BC 1 16H 16M 16L

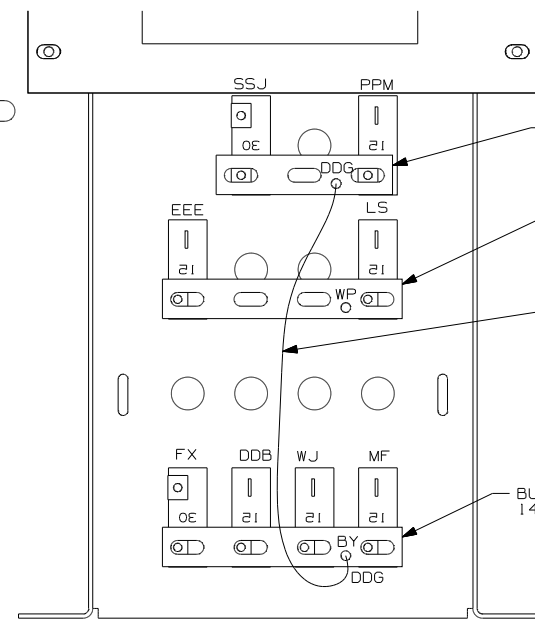
BRACKET-CIRCUIT BREAKER
149689-01-CHT
SCREW
G11-10-08B (4)

BRACKET-FUSE PANEL
149690-01-CHT
149690-02-CHT
SCREW
G11-10-08B (4)

CHASSIS SUPPLIED
FUSE PANEL



DETAIL BA

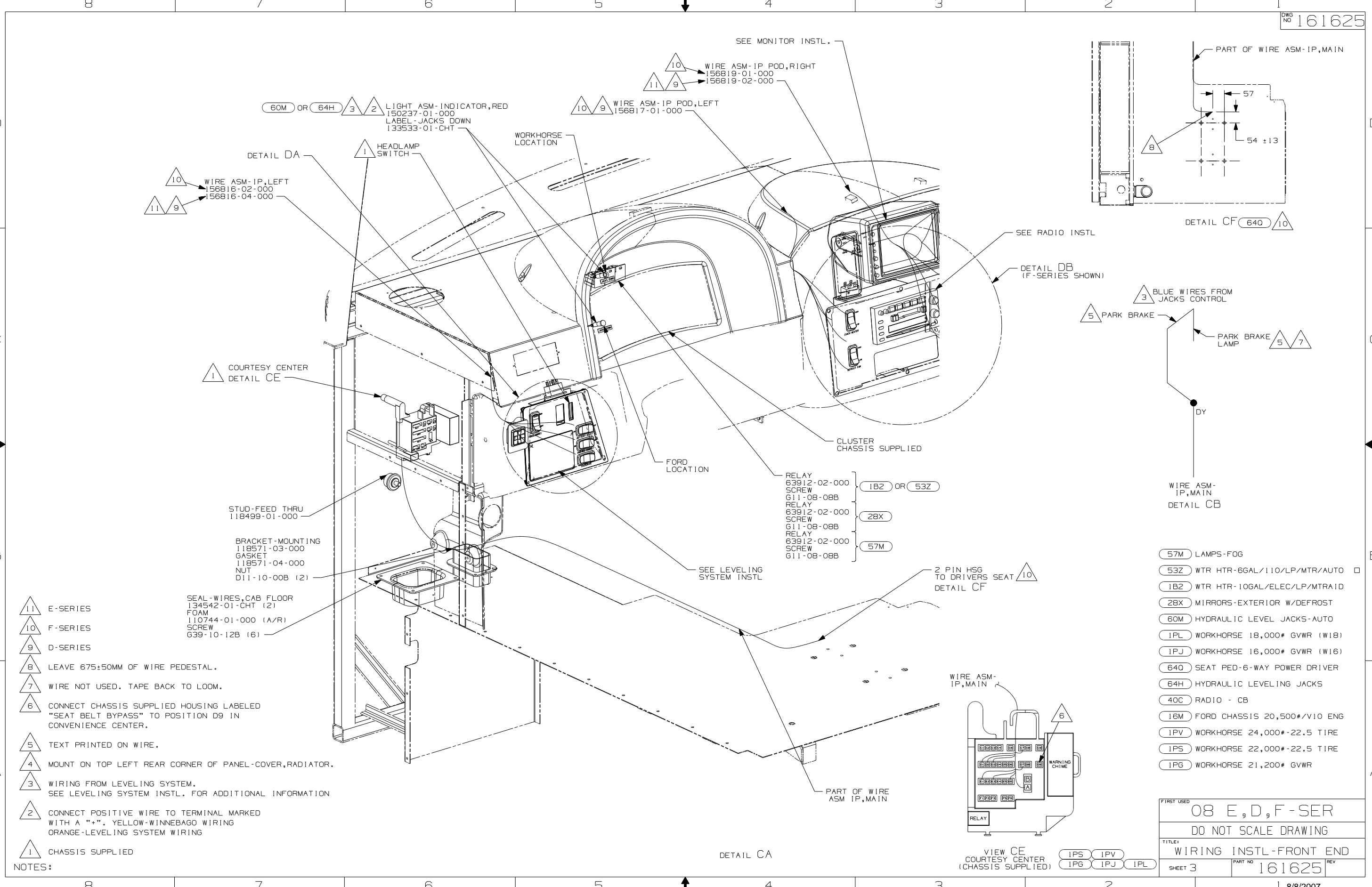


VIEW BC 1 1PG 1PS 1PV 1PJ 1PL

- 53Z WTR HTR-6GAL/110/LP/MTR/AUTO
- 57M LAMPS-FOG
- 1PL WORKHORSE 18,000# GVWR (W18)
- 1PJ WORKHORSE 16,000# GVWR (W16)
- 16H FORD CHASSIS 18,000#/V10 ENG
- 64Q SEAT PED-6-WAY POWER DRIVER
- 16M FORD CHASSIS 20,500#/V10 ENG
- 1PV WORKHORSE 24,000#-22.5 TIRE
- 1PS WORKHORSE 22,000#-22.5 TIRE
- 1PG WORKHORSE 21,200# GVWR
- 16L FORD 22,000#-22.5 AL WHL

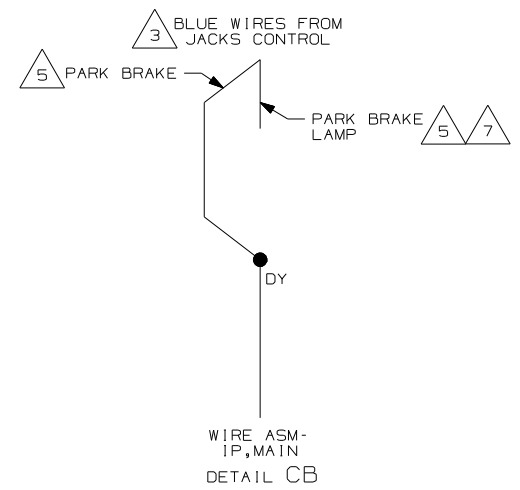
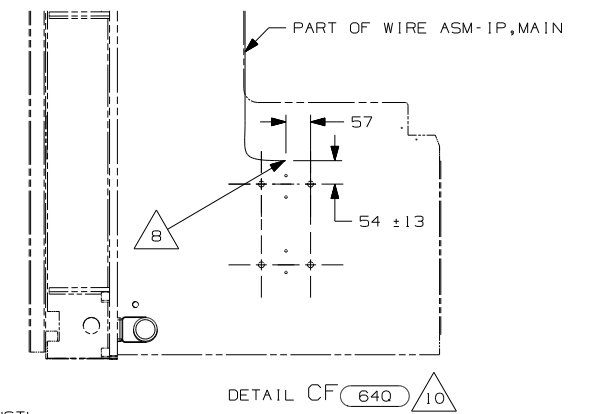
- NOTES:
- 6 F32H & F3BJ ONLY
 - 5 F-SERIES
 - 4 D-SERIES
 - 3 F32H & F3BJ: CONNECT DDG TO HOLE IN BUSS BAR
ALL OTHER MODELS: CONNECT DDG TO BOTTOM LUG OF 30 AMP BREAKER
 - 2 WORKHORSE PANEL SHOWN.
 - 1 ALL CIRCUITS ARE IN WIRE ASM-IP,MAIN.

FIRST USED		
08 E, D, F-SER		
DO NOT SCALE DRAWING		
TITLE: WIRING INSTL-FRONT END		
SHEET 2	PART NO 161625	REV



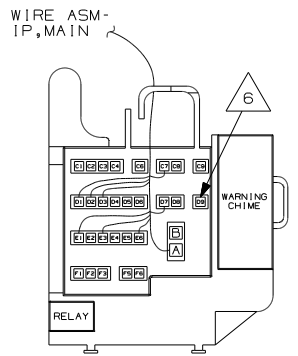
- 11 E-SERIES
- 10 F-SERIES
- 9 D-SERIES
- 8 LEAVE 675±50MM OF WIRE PEDESTAL.
- 7 WIRE NOT USED. TAPE BACK TO LOOM.
- 6 CONNECT CHASSIS SUPPLIED HOUSING LABELED "SEAT BELT BYPASS" TO POSITION D9 IN CONVENIENCE CENTER.
- 5 TEXT PRINTED ON WIRE.
- 4 MOUNT ON TOP LEFT REAR CORNER OF PANEL-COVER,RADIATOR.
- 3 WIRING FROM LEVELING SYSTEM. SEE LEVELING SYSTEM INSTL. FOR ADDITIONAL INFORMATION
- 2 CONNECT POSITIVE WIRE TO TERMINAL MARKED WITH A "+". YELLOW-WINNEBAGO WIRING ORANGE-LEVELING SYSTEM WIRING
- 1 CHASSIS SUPPLIED

NOTES:

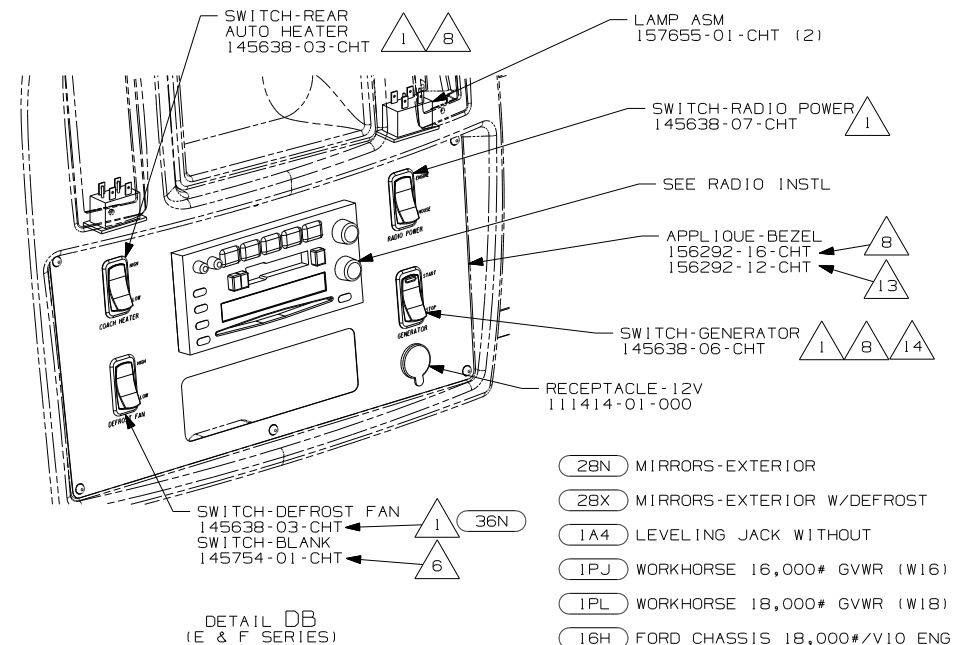
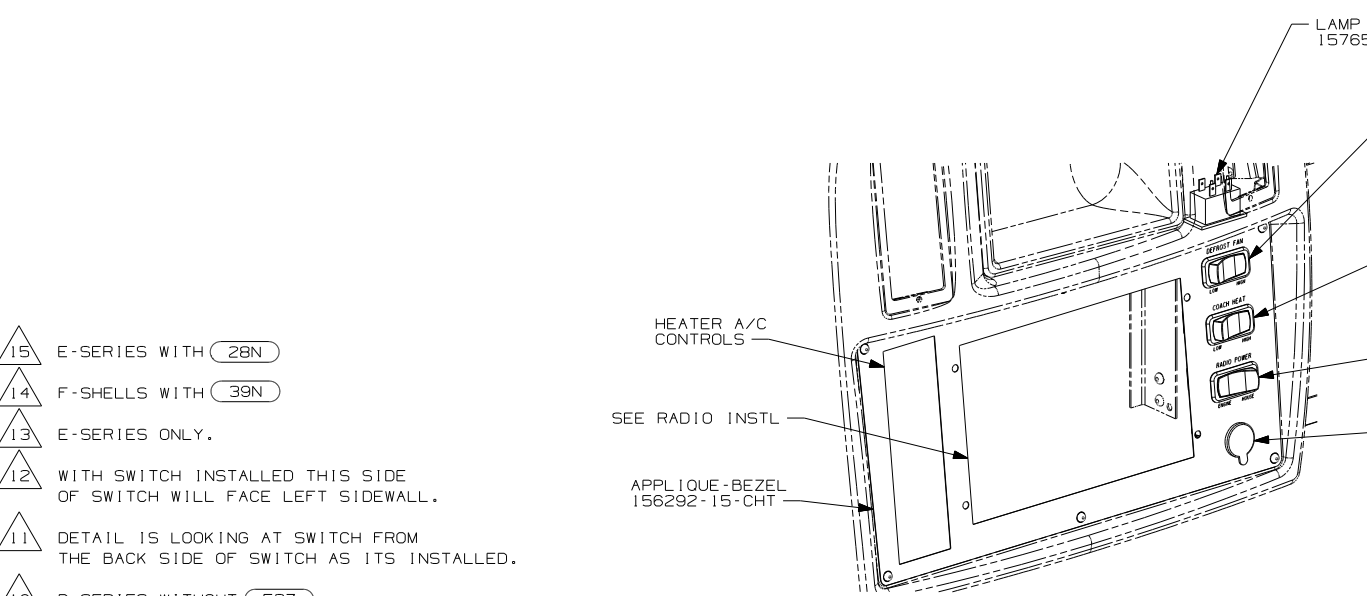
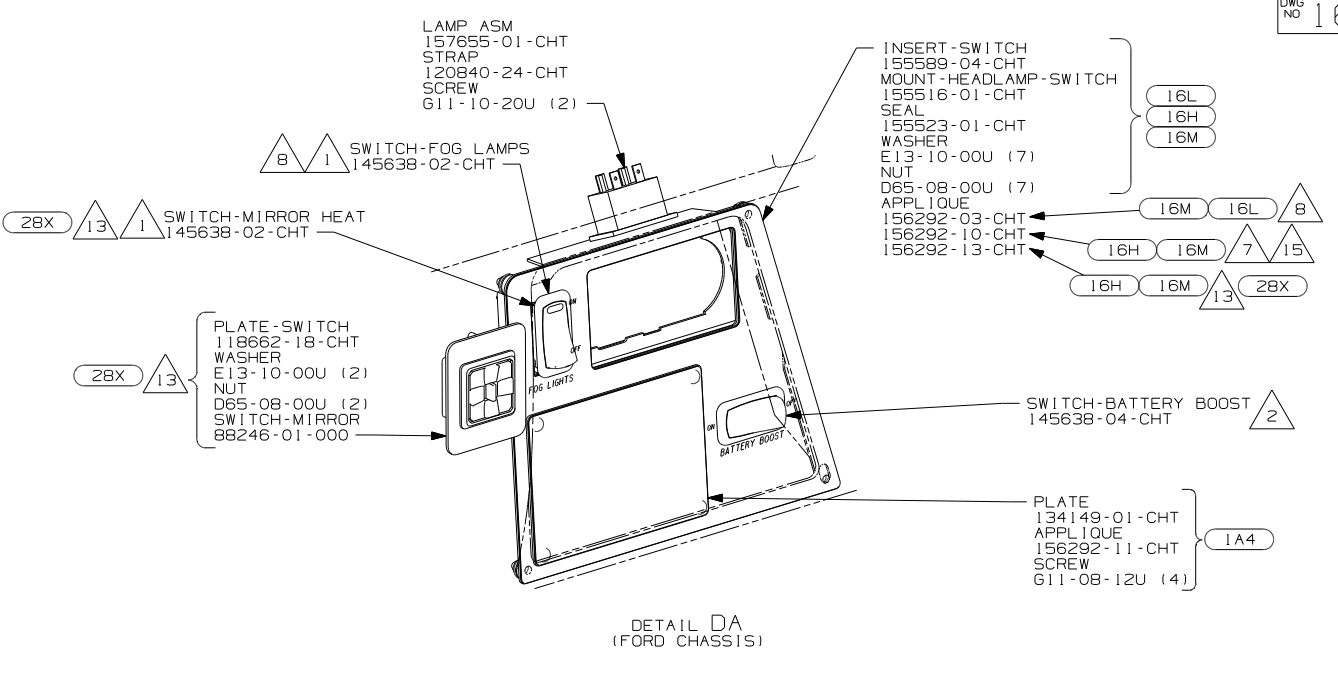
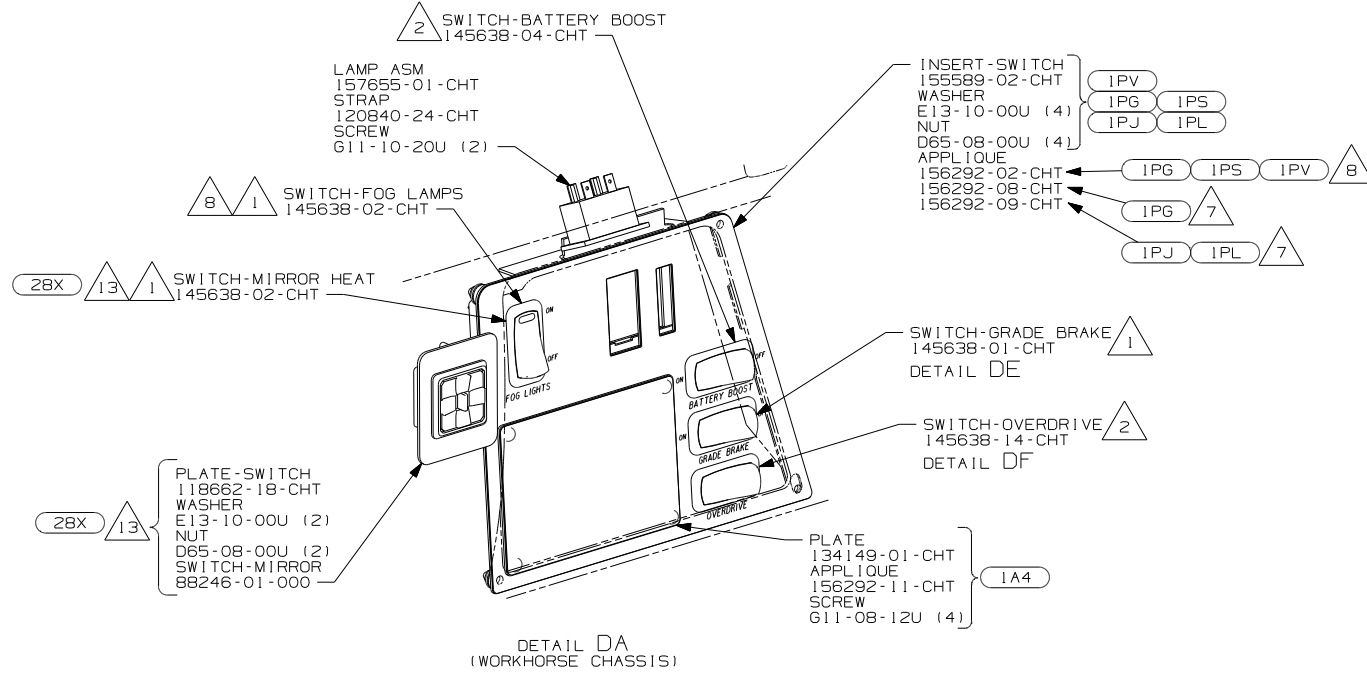


- RELAY 63912-02-000
- SCREW G11-08-08B
- RELAY 63912-02-000
- SCREW G11-08-08B
- RELAY 63912-02-000
- SCREW G11-08-08B

- 57M LAMPS-FOG
- 532 WTR HTR-6GAL/110/LP/MTR/AUTO
- 1B2 WTR HTR-10GAL/ELEC/LP/MTR/AID
- 28X MIRRORS-EXTERIOR W/DEFROST
- 60M HYDRAULIC LEVEL JACKS-AUTO
- 1PL WORKHORSE 18,000# GVWR (W18)
- 1PJ WORKHORSE 16,000# GVWR (W16)
- 640 SEAT PED-6-WAY POWER DRIVER
- 64H HYDRAULIC LEVELING JACKS
- 40C RADIO - CB
- 16M FORD CHASSIS 20,500#/V10 ENG
- 1PV WORKHORSE 24,000#-22.5 TIRE
- 1PS WORKHORSE 22,000#-22.5 TIRE
- 1PG WORKHORSE 21,200# GVWR

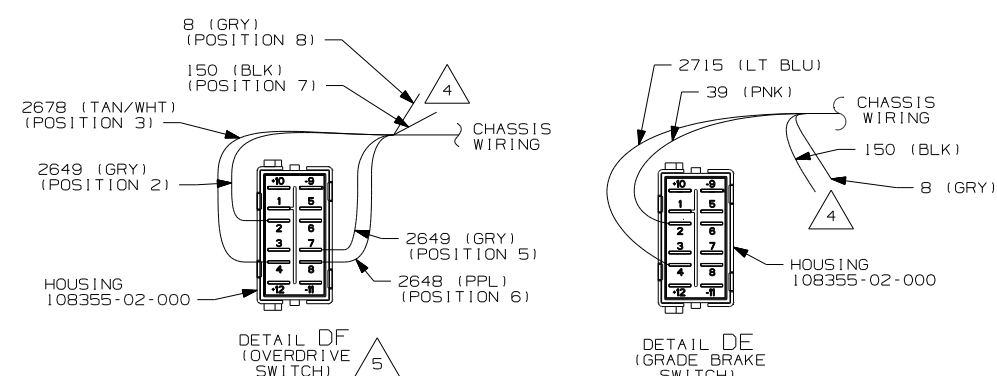
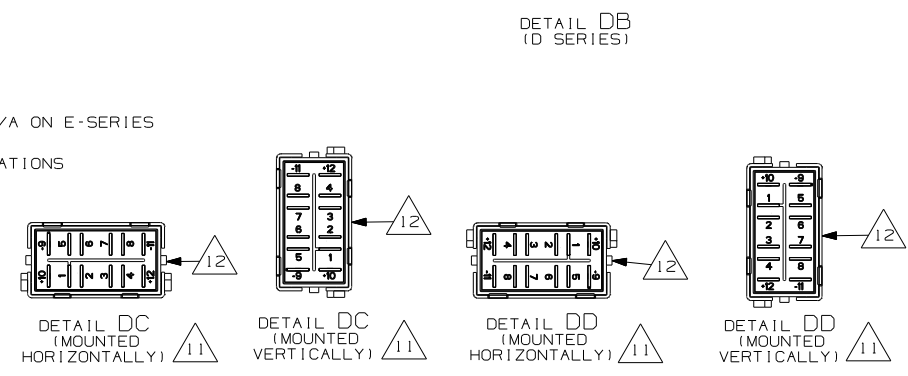


FIRST USED	
08 E, D, F-SER	
DO NOT SCALE DRAWING	
TITLE: WIRING INSTL-FRONT END	
SHEET 3	PART NO 161625
REV	

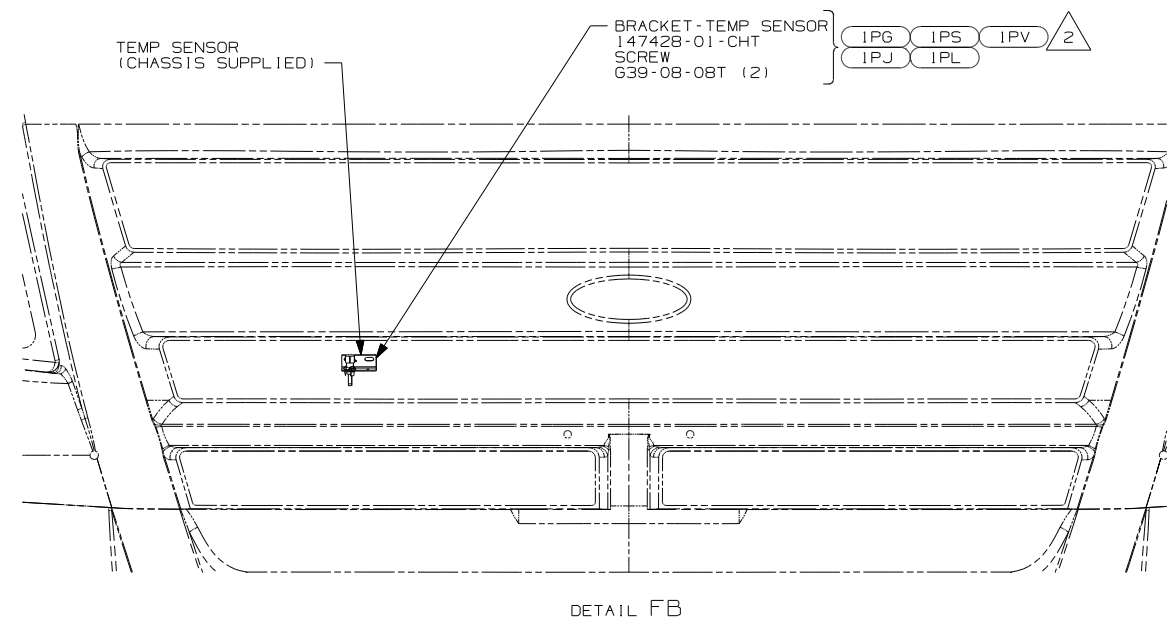
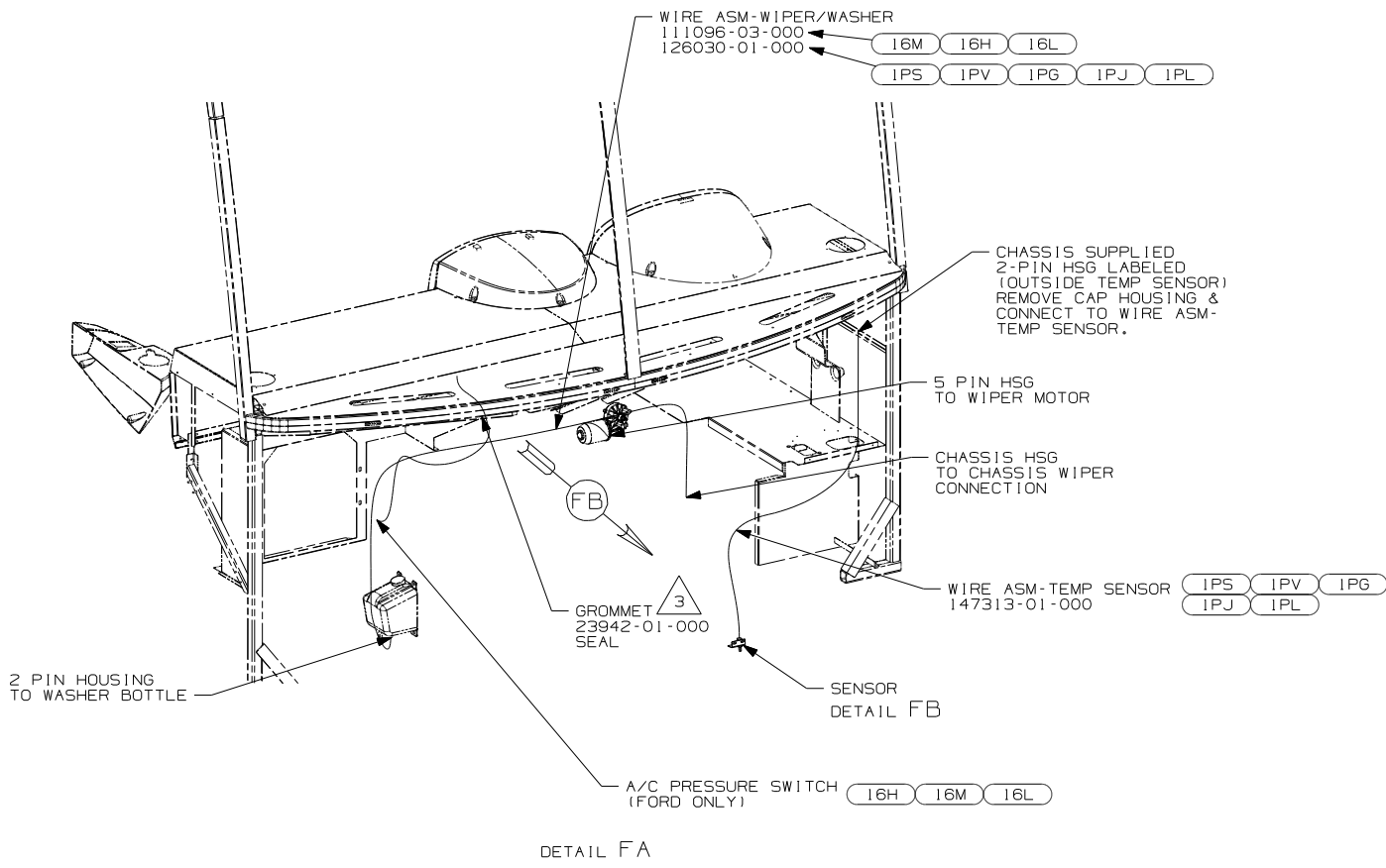


- 15 E-SERIES WITH 28N
- 14 F-SHELLS WITH 39N
- 13 E-SERIES ONLY.
- 12 WITH SWITCH INSTALLED THIS SIDE OF SWITCH WILL FACE LEFT SIDEWALL.
- 11 DETAIL IS LOOKING AT SWITCH FROM THE BACK SIDE OF SWITCH AS ITS INSTALLED.
- 10 D-SERIES WITHOUT 53Z
- 9 D-SERIES WITH 53Z
- 8 F-SERIES
- 7 D-SERIES
- 6 WITHOUT 36N ON D OR F-SERIES ONLY. N/A ON E-SERIES
- 5 POSITIONS NOTED IN PARENTHESIS ARE LOCATIONS IN WORKHORSE SUPPLIED HOUSING.
- 4 REMOVE TERMINALS & TAPE BACK TO LOOM.
- 3 WITHOUT 092
- 2 SEE DETAIL DC FOR ORIENTATION.
- 1 SEE DETAIL DD FOR ORIENTATION.

- 28N MIRRORS-EXTERIOR
- 28X MIRRORS-EXTERIOR W/DEFROST
- 1A4 LEVELING JACK WITHOUT
- 1PJ WORKHORSE 16,000# GVWR (W16)
- 1PL WORKHORSE 18,000# GVWR (W18)
- 16H FORD CHASSIS 18,000#/V10 ENG
- 53Z WTR HTR-6GAL/110/LP/MTR/AUTO
- 36N FANS-DEFROSTER, AUXILIARY
- 16M FORD CHASSIS 20,500#/V10 ENG
- 1PV WORKHORSE 24,000#-22.5 TIRE
- 1PS WORKHORSE 22,000#-22.5 TIRE
- 1PG WORKHORSE 21,200# GVWR
- 092 SLIDEOUT ROOM - FRONT RIGHT
- 09L SLIDEOUT ROOM FRONT LEFT
- 16L FORD 22,000#-22.5 AL WHL



FIRST USED	
08 E, D, F-SER	
DO NOT SCALE DRAWING	
TITLE: WIRING INSTL-FRONT END	
SHEET 4	PART NO 161625 REV



- 1PL WORKHORSE 18,000# GVWR (W18)
- 1PJ WORKHORSE 16,000# GVWR (W16)
- 16H FORD CHASSIS 18,000#/V10 ENG
- 16M FORD CHASSIS 20,500#/V10 ENG
- 1PV WORKHORSE 24,000#-22.5 TIRE
- 1PS WORKHORSE 22,000#-22.5 TIRE
- 1PG WORKHORSE 21,200# GVWR
- 16L FORD 22,000#-22.5 AL WHL

- 3 ROUTE WIRES THROUGH HOLE IN STEEL.
- 2 MOUNT SENSOR OR SENSOR BRACKET TO HORIZONTAL TUBE ON FIBERGLASS AS SHOWN.

1. GATHER ALL EXCESS WIRE AFTER MAKING ALL CONNECTIONS. BUNDLE AND SECURE WITH WIRE TIE 8343-01-000 OR 93147-01-000.

NOTES:

FIRST USED		08 E, D, F-SER	
DO NOT SCALE DRAWING			
TITLE: WIRING INSTL-FRONT END			
SHEET 5	PART NO	161625	REV

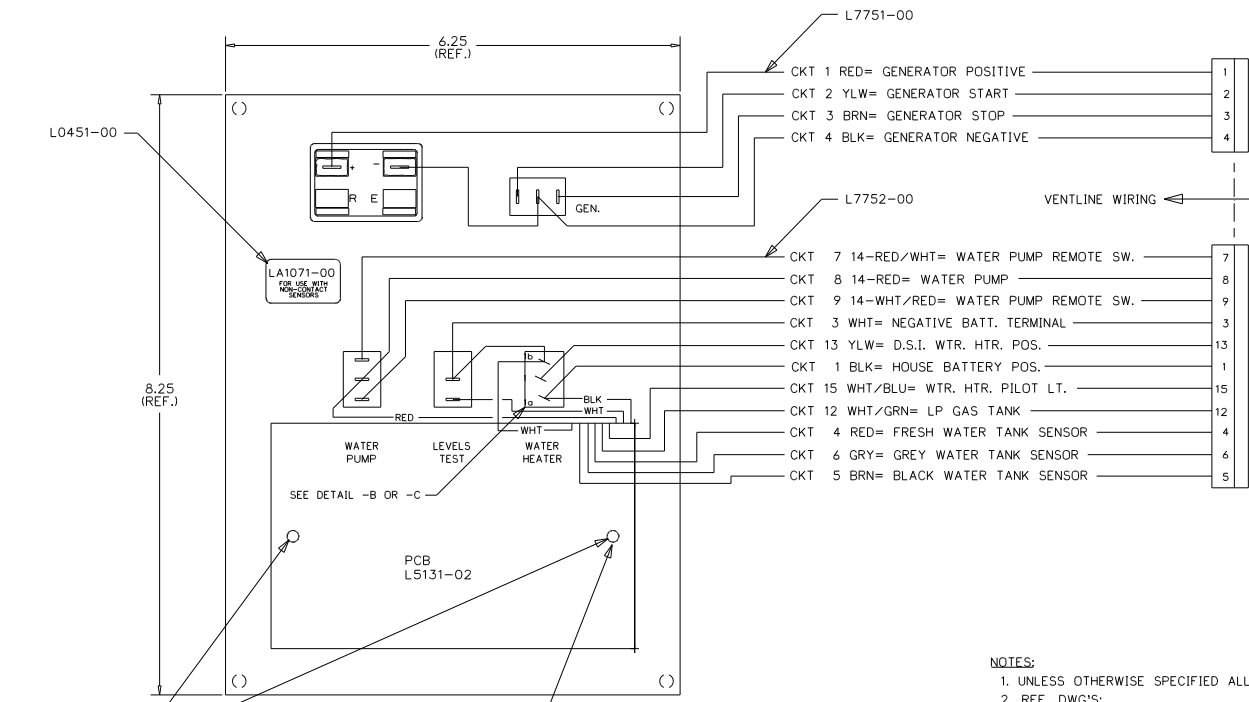
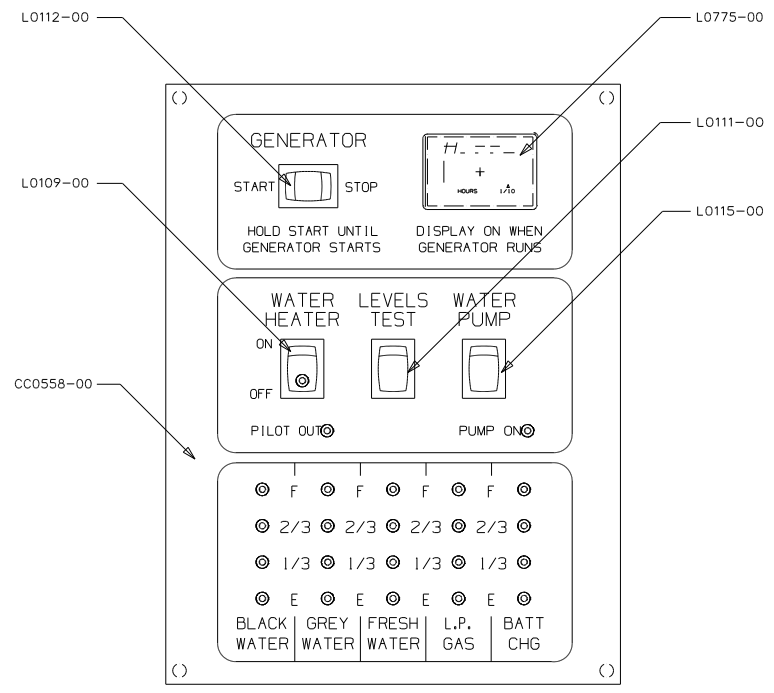
CONFIDENTIAL
THIS DOCUMENT, INCLUDING ALL INFORMATION CONTAINED HEREIN IS THE EXCLUSIVE AND CONFIDENTIAL PROPERTY OF VENTLINE DIVISION OF TOMKINS INDUSTRIES, INC. THE DOCUMENT AND INFORMATION ARE NOT TO BE COPIED, REPRODUCED OR DELIVERED TO OTHERS, IN WHOLE OR IN PART, WITHOUT THE EXPRESS WRITTEN PERMISSION OF VENTLINE. THE DOCUMENT IS TO BE RETURNED PROMPTLY TO VENTLINE AFTER HAVING SERVED THE PURPOSE FOR WHICH DELIVERED.
©1995 VENTLINE DIVISION, TOMKINS INDUSTRIES, INC.
All Rights Reserved, including the right to reproduce this document or any part thereof.

LA1071-00
PAGE 2 OF 2

LA1071-00
FOR USE WITH
NON-CONTACT
SENSORS
(MFG DATE)

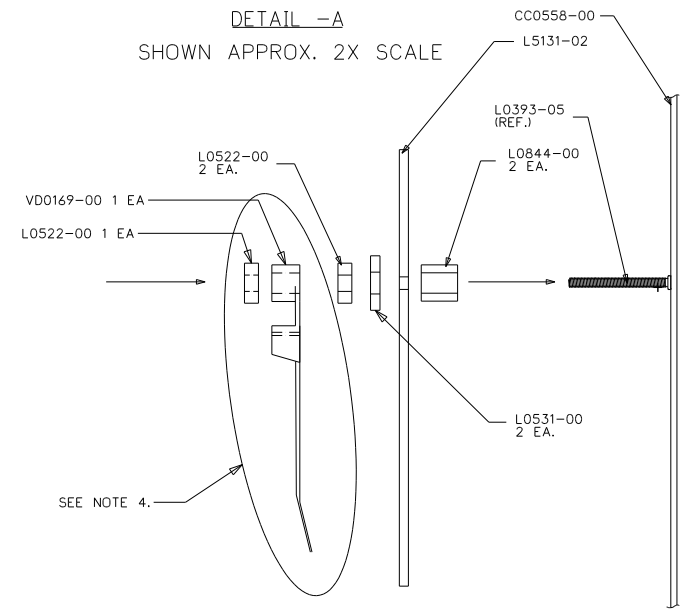
PRODUCT LABEL
PRINTING DETAIL
NO SCALE

LTR.	DESCRIPTION	DATE	CHK BY	CHK BY
REL	RELEASED TO PURCHASING & PRODUCTION. ECN 16261	12/3/03	MPH	MPR
A	ADDED LABEL DETAIL ECN 16381	4-6-04	R/L	R/L
B	L5131-02 WAS L5118-02 ECN 16394	4-21-04	R/L	R/L

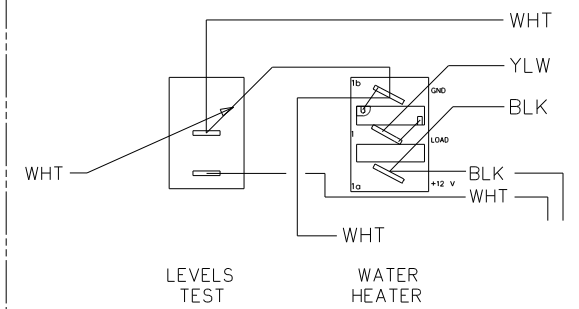


- NOTES:
- UNLESS OTHERWISE SPECIFIED ALL WIRE IS 22 AWG.
 - REF. DWG'S:
GENERATOR HARNESS= L7751-00
INTERNAL & SWITCH HARNESS= L7752-00
PCB= L5131-02
TEST HARNESS= L7753-00
TEST BOX= L8506-00
 - ALL PIGTAILS TO BE SUPPLIED BY CUSTOMER.
 - BEFORE PACKING, SECURE HARNESS WITH V00169-00 TIE WRAP ON RIGHT SIDE POST.

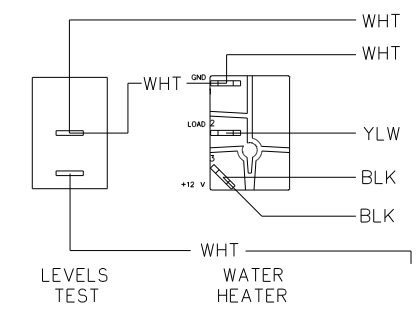
DETAIL -A
SHOWN APPROX. 2X SCALE



DETAIL -B
FOR L0109-00 "MARQUARDT"
SHOWN APPROX. 2X SCALE



DETAIL -C
FOR L0109-00 "CARLINGSWITCH"
SHOWN APPROX. 2X SCALE



PART NO.	REQ'D	MATERIAL	DESCRIPTION	DWG SIZE
V00169-00	1		TIE WRAP	
L7752-00	1		HARNESS, INTERNAL & SWITCH	
L7751-00	1		HARNESS, GENERATOR	
L5131-02	1		PCB	
L0775-00	1		HOBBS HOUR METER	
L0531-00	2		FIBER WASHER	
L0522-00	3		HEX NUT, 6-32	
L0451-00	1		LABEL - SEE PRINTING DETAIL ABOVE	
L0844-00	2		PCB SPACER	
L0115-00	1		SWITCH, SPDT ON-ON, BLK	
L0112-00	1		SWITCH, SPDT (ON-OFF-(ON), BLK	
L0111-00	1		SWITCH, SPST MOM. (ON-OFF, BLK	
L0109-00	1		SWITCH, SPST ON-OFF, BLK, GRN LT.	
CC0558-00	1		SILKSCREENED CHASSIS	

ENGLISH TOLERANCE UNLESS SPECIFIED
0 PL.: .040 1 PL.: .020
2 PL.: .010 3 PL.: .005
FRACTIONS: 1/64

BLANK SIZE	DATE	MATERIAL	USED ON	WINNEBAGO
MPR 11/20/03	11/20/03	SEE BOM PAGE 2		
MPR 11/20/03	11/20/03			

PHILIPS IND. INC.
VENTLINE DIVISION
BRISTOL, INDIANA 46507

SCALE: NONE

FUNCTION DRAWING, MONITOR PANEL

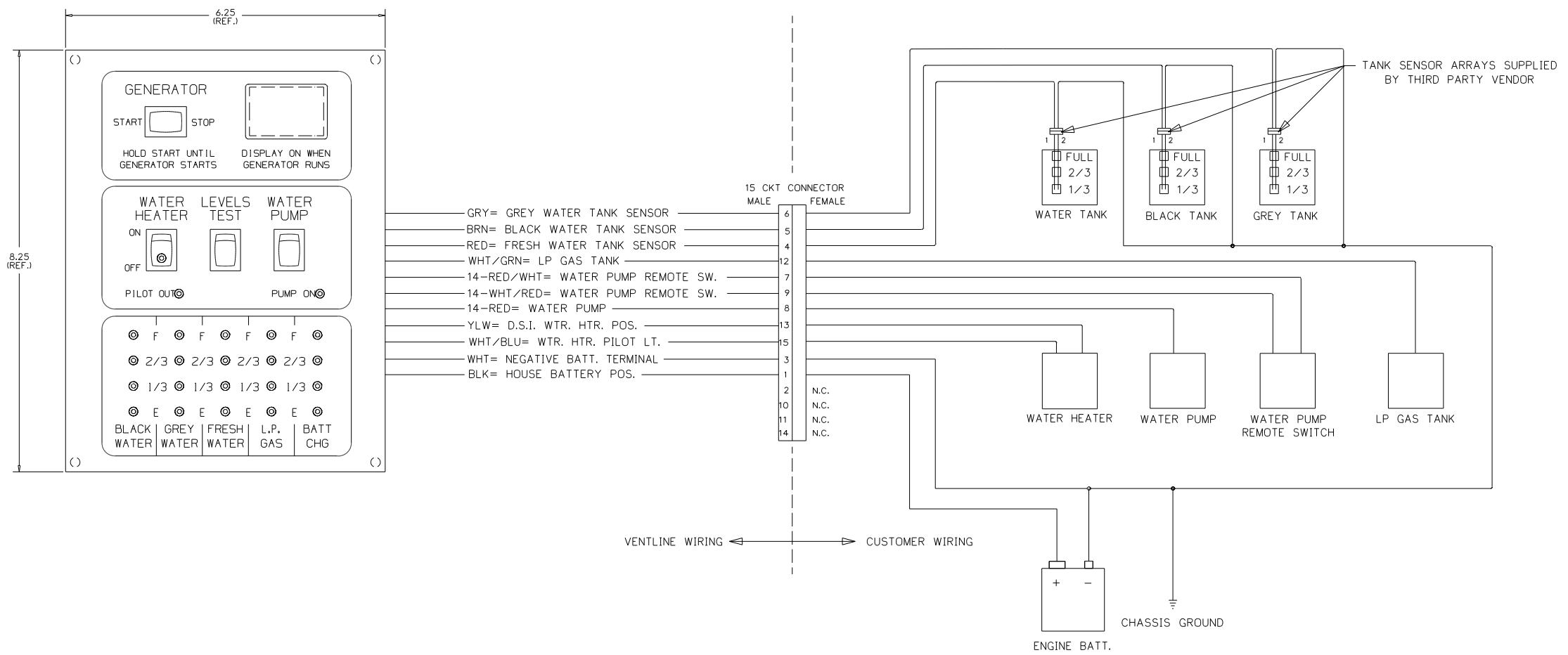
DWG. NO. PAGE 2 OF 2
LA1071-00

FIRST USED	05 D SEIRES
TITLE:	DO NOT SCALE DRAWING
	PANEL - MONITOR
SHEET 6	PART NO 134940 REV

CONFIDENTIAL
 THIS DOCUMENT, INCLUDING ALL INFORMATION CONTAINED HEREIN, IS THE EXCLUSIVE AND CONFIDENTIAL PROPERTY OF VENTLINE DIVISION OF TANKS INDUSTRIES, INC. THE DOCUMENT AND INFORMATION ARE NOT TO BE COPIED, REPRODUCED OR DELIVERED TO OTHERS, IN WHOLE OR IN PART, WITHOUT THE EXPRESS WRITTEN PERMISSION OF VENTLINE. THE DOCUMENT IS TO BE RETURNED PROMPTLY TO VENTLINE AFTER HAVING SERVED THE PURPOSE FOR WHICH DELIVERED.
 ©2005 VENTLINE DIVISION, TANKS INDUSTRIES, INC.
 All Rights Reserved, including the right to reproduce this document or any part thereof.

LA1073-00
 PAGE 1 OF 2

LTR.	DESCRIPTION	DATE	CHK'D BY	APP'D BY
REL	RELEASED TO PURCHASING & PRODUCTION	12/3/03	MPP	MPP
A	SEE SHEET 2 ECN 16381	4-6-04	R.J.L.	R.J.L.
B	L5131-02 WAS L5118-02 ECN 16394	4-21-04	R.J.L.	R.J.L.



- NOTES:**
- UNLESS OTHERWISE SPECIFIED ALL WIRE IS 22 AWG.
 - REF. DWG.'S:
 HARNESS, INTERNAL & SWITCH= L7752-00
 PCB= L5131-02
 HARNESS, TEST= L7753-00
 TEST BOX= L8506-00
 - ALL PIGTAILS TO BE SUPPLIED BY CUSTOMER.
 - BEFORE PACKING, SECURE HARNESS WITH VD0169-00 TIE WRAP ON RIGHT SIDE POST.

ENGLISH TOLERANCE UNLESS SPECIFIED
 0 PL.: .040 1 PL.: .020
 2 PL.: .010 3 PL.: .005
 FRACTIONS: 1/64

PART NO.	REQ'D	MATERIAL	DESCRIPTION	DWG SIZE
BLANK SIZE			USED ON WINNEBAGO	
DRAWN	DATE	MATERIAL		
MPR	11/21/03	SEE BOM PAGE 2		
CHECKED	DATE	NAME		
MPR	11/21/03			
APPV'D	DATE			

FUNCTION DRAWING,
 MONITOR PANEL
 LA1073-00

FIRST USED	05 D SERIES
TITLE	DO NOT SCALE DRAWING
TITLE	PANEL - MONITOR
SHEET 7	PART NO 134940 REV

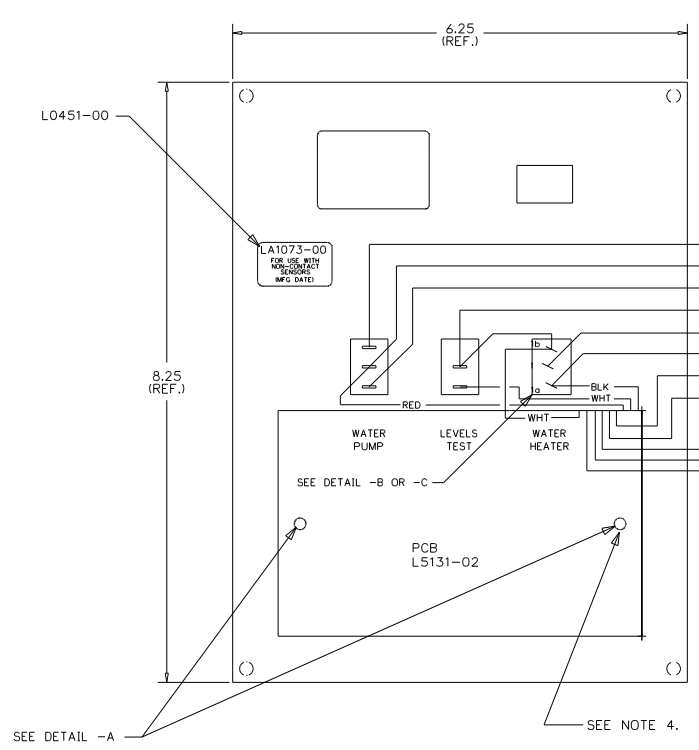
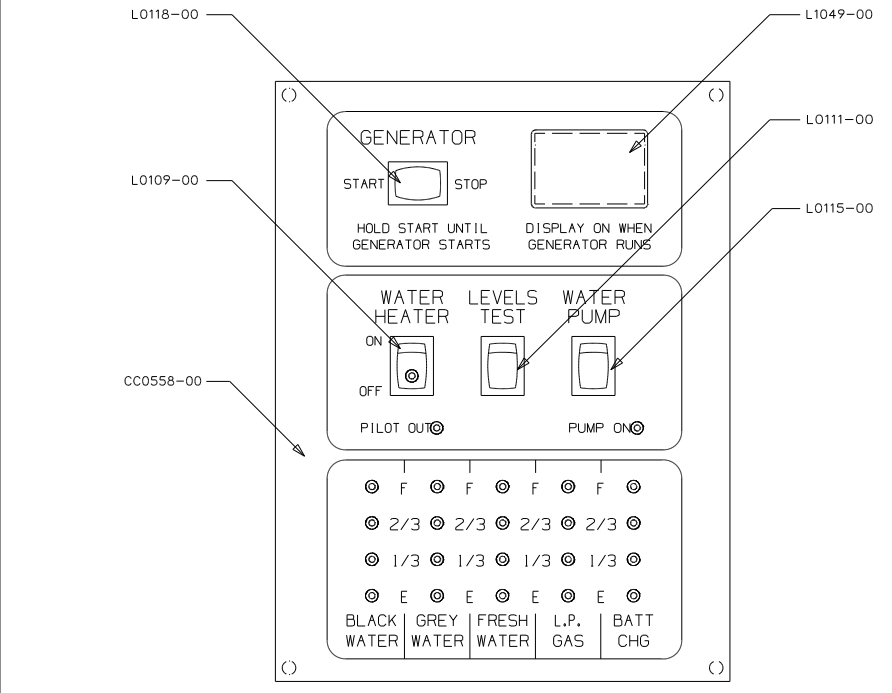
CONFIDENTIAL
 THIS DOCUMENT, INCLUDING ALL INFORMATION CONTAINED HEREIN IS THE EXCLUSIVE AND CONFIDENTIAL PROPERTY OF VENTLINE DIVISION OF TOMKINS INDUSTRIES, INC. THE DOCUMENT AND INFORMATION ARE NOT TO BE COPIED, REPRODUCED OR DELIVERED TO OTHERS, IN WHOLE OR IN PART, WITHOUT THE EXPRESS WRITTEN PERMISSION OF VENTLINE. THE DOCUMENT IS TO BE RETURNED PROMPTLY TO VENTLINE AFTER HAVING SERVED THE PURPOSE FOR WHICH DELIVERED.
 ©1995 VENTLINE DIVISION, TOMKINS INDUSTRIES, INC.
 All Rights Reserved, including the right to reproduce this document or any part thereof.

LA1073-00
 PAGE 2 OF 2

LTR.	DESCRIPTION	DATE	CHK. BY	APP. BY
REL.	RELEASED TO PURCHASING & PRODUCTION ECN 16261	12/3/03	MPP	MPP
A	ADDED LABEL DETAIL ECN 16381	4-6-04	R.J.	R.J.
B	L5131-02 WAS L5118-02 ECN 16394	4-21-04	R.J.	R.J.

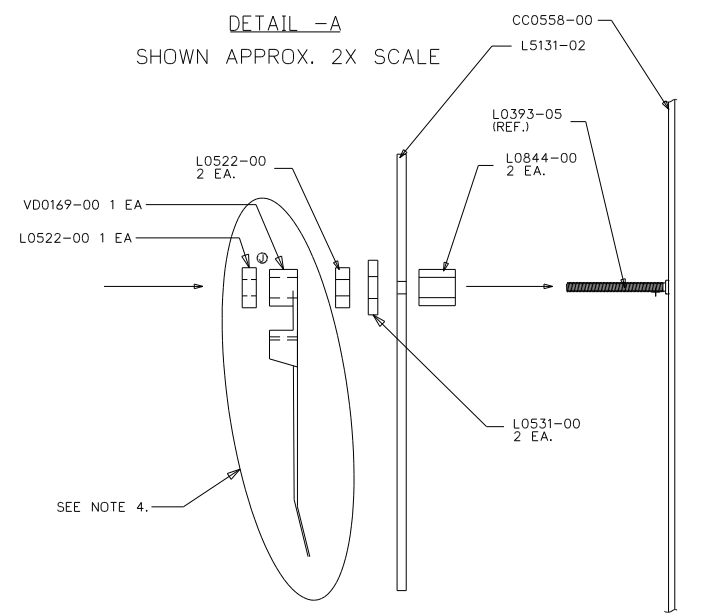
LA1073-00
 FOR USE WITH
 NON-CONTACT
 SENSORS
 (MFG DATE)

PRODUCT LABEL
 PRINTING DETAIL
 NO SCALE

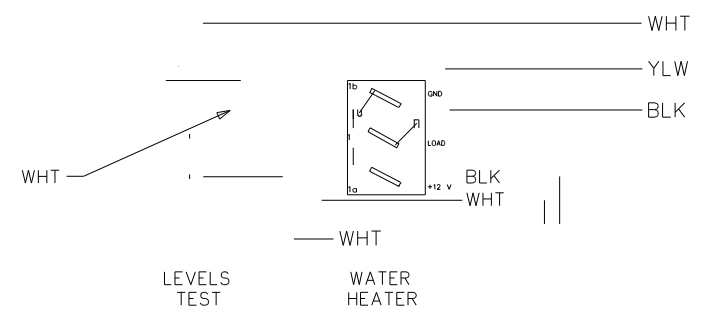


CTK	WIRING	TERMINAL
7	14-RED/WHT=	WATER PUMP REMOTE SW.
8	14-RED=	WATER PUMP
9	14-WHT/RED=	WATER PUMP REMOTE SW.
3	WHT=	NEGATIVE BATT. TERMINAL
13	YLW=	D.S.I. WTR. HTR. POS.
1	BLK=	HOUSE BATTERY POS.
15	WHT/BLU=	WTR. HTR. PILOT LT.
12	WHT/GRN=	LP GAS TANK
4	RED=	FRESH WATER TANK SENSOR
6	GRY=	GREY WATER TANK SENSOR
5	BRN=	BLACK WATER TANK SENSOR

DETAIL -A
 SHOWN APPROX. 2X SCALE



DETAIL -B
 SHOWN APPROX. 2X SCALE



- NOTES:**
- UNLESS OTHERWISE SPECIFIED ALL WIRE IS 22 AWG.
 - REF. DWG.'S:
 HARNESS, INTERNAL & SWITCH= L7752-00
 PCB= L5131-02
 HARNESS, TEST= L7753-00
 TEST BOX= L8504-00
 - ALL PIGTAILS TO BE SUPPLIED BY CUSTOMER.
 - BEFORE PACKING, SECURE HARNESS WITH V0169-00 TIE WRAP ON RIGHT SIDE POST.

PART NO.	QTY	DESCRIPTION	QTY
V0169-00	1	TIE WRAP WITH POST HOLE	
L7752-00	1	HARNESS, INTERNAL & SWITCH	
L5131-02	1	PCB	
L1049-00	1	HOLE PLUG	
L0531-00	4	FIBER WASHER	
L0522-00	3	HEX NUT, 6-32	
L0451-00	1	LABEL	
L0844-00	2	PCB SPACER	
L0118-00	1	SWITCH, DUMMY	
L0115-00	1	SWITCH, SPDT ON-ON, BLK	
L0111-00	1	SWITCH, SPST MOM. ION-OFF, BLK	
L0109-00	1	SWITCH, SPST ON-OFF, BLK, GRN LT.	
CC0558-00	1	SILKSCREENED CHASSIS	

ENGLISH (TOLERANCE UNLESS SPECIFIED)
 0 PL: ±.040 1 PL: ±.020
 2 PL: ±.010 3 PL: ±.005
 FRACTIONS ±1/64

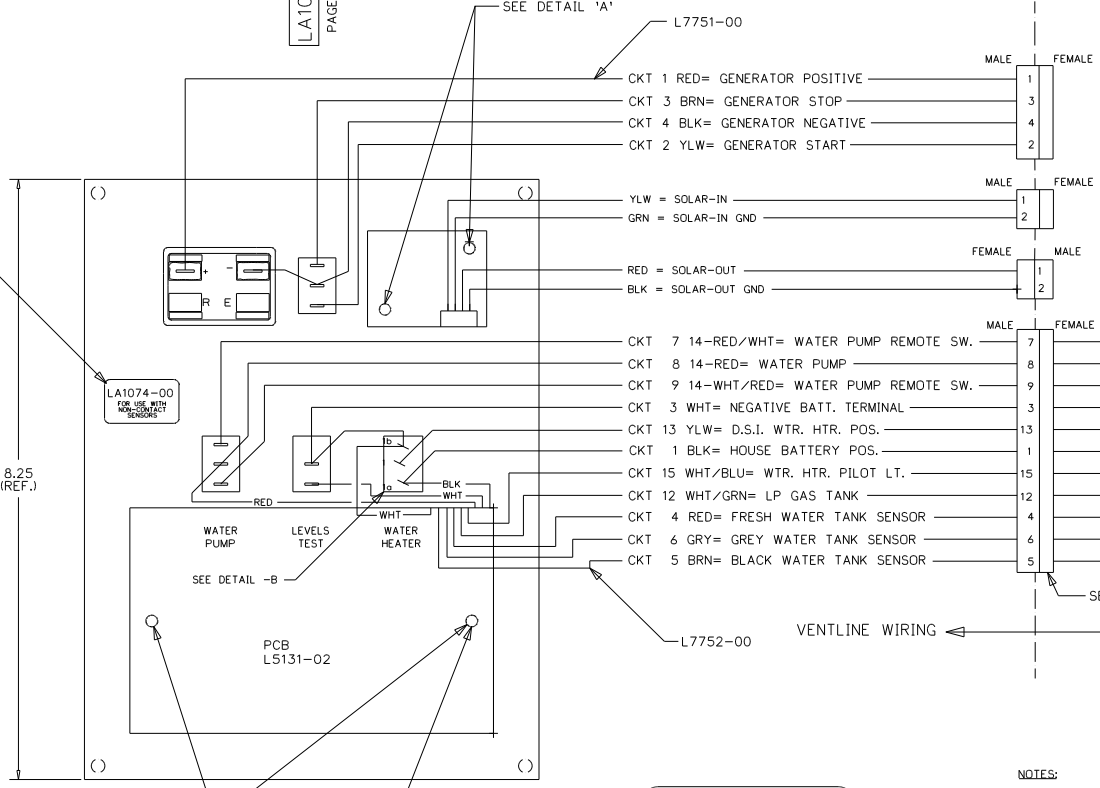
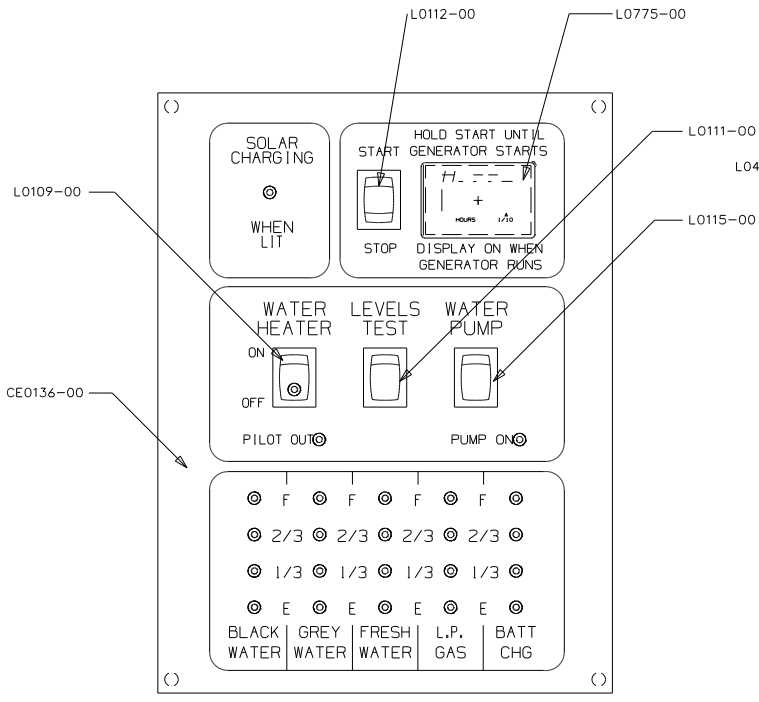
BLANK SIZE	DATE	MATERIAL	USED ON	WINNEBAGO
MPP	11/21/03	SEE BOM PAGE 2		
CHECKED	DATE	NAME	SCALE: NONE	
MPP	11/21/03			
APP'D	DATE	FUNCTION DRAWING, MONITOR PANEL	DWG. NO. LA1073-00	PAGE 2 OF 2

FIRST USED	05 D SERIES
TITLE	DO NOT SCALE DRAWING
TITLE	PANEL - MONITOR
SHEET 8	PART NO 134940
	REV

CONFIDENTIAL
 THIS DOCUMENT, INCLUDING ALL INFORMATION CONTAINED HEREIN, IS THE EXCLUSIVE AND CONFIDENTIAL PROPERTY OF VENTLINE DIVISION OF TOMKINS INDUSTRIES, INC. THE DOCUMENT AND INFORMATION ARE NOT TO BE COPIED, REPRODUCED OR DELIVERED TO OTHERS, IN WHOLE OR IN PART, WITHOUT THE EXPRESS WRITTEN PERMISSION OF VENTLINE. THE DOCUMENT IS TO BE RETURNED PROMPTLY TO VENTLINE AFTER HAVING SERVED THE PURPOSE FOR WHICH DELIVERED.
 ©1995 VENTLINE DIVISION, TOMKINS INDUSTRIES, INC.
 All Rights Reserved, including the right to reproduce this document or any part thereof.

LA1074-00
 PAGE 2 OF 2

LTR.	DESCRIPTION	DATE	BY	CHK.
REL	RELEASED TO PURCHASING & PRODUCTION	12/3/03	MPPR	MPPR
A	ADDED LABEL DETAIL ECN 16381	4-6-04	R.L.	R.L.
B	L5131-02 WAS L5118-02 ECN 16394	4-21-04	R.L.	R.L.

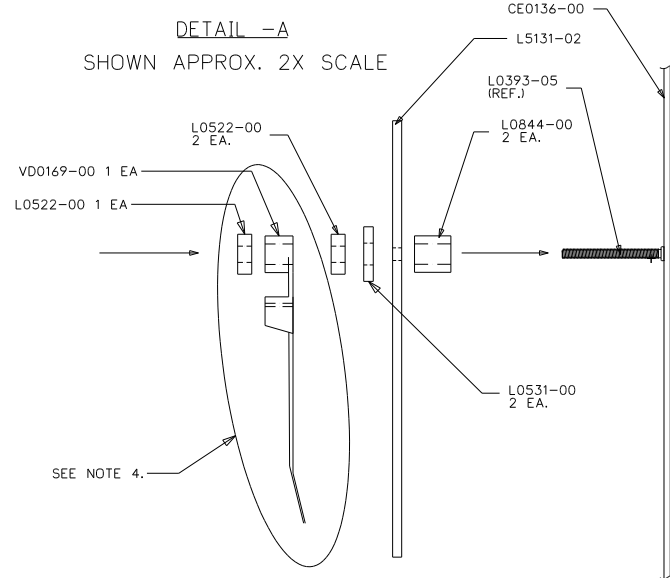


LA1074-00
 FOR USE WITH
 NON-CONTACT
 SENSORS
 (MFG DATE)

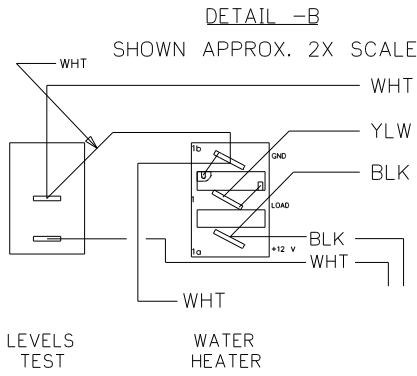
PRODUCT LABEL
 PRINTING DETAIL
 NO SCALE

- NOTES:
- UNLESS OTHERWISE SPECIFIED ALL WIRE IS 22 AWG.
 - REF. DWG.'S:
 HARNESS, INTERNAL & SWITCH= L7752-00
 HARNESS, GEN. INTERNAL & SWITCH= L7786-00
 HARNESS, SOLAR LIGHT= L7722-00
 PCB= L5131-02
 HARNESS, TEST= L7753-00
 TEST BOX= L8506-00
 - ALL PIGTAILS TO BE SUPPLIED BY CUSTOMER.
 - BEFORE PACKING, SECURE HARNESS WITH V00169-00 TIE WRAP ON RIGHT SIDE POST.

DETAIL -A
 SHOWN APPROX. 2X SCALE



DETAIL -B
 SHOWN APPROX. 2X SCALE



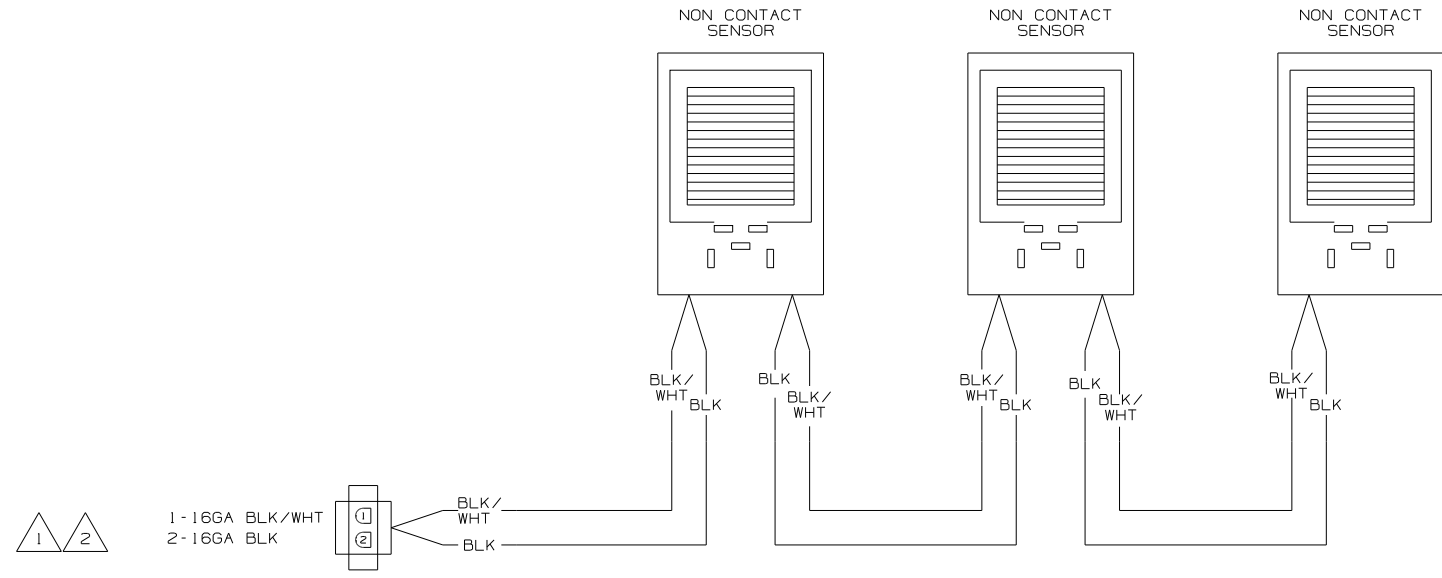
PART NO.	REQ'D	MATERIAL	DESCRIPTION	DWG SIZE
V00169-00	1		TIE WRAP	
L7752-00	1		HARNESS, INTERNAL & SWITCH	
L7751-00	1		HARNESS, GENERATOR	
L7722-00	1		SOLAR LIGHT HARNESS	
L5121-01	1		SOLAR LIGHT PCB	
L5131-02	1		PCB	
L0775-00	1		HOBBS HOUR METER	
L0531-00	4		FIBER WASHER	
L0522-00	5		HEX NUT, 6-32	
L0451-00	1		LABEL	
L0844-00	4		PCB SPACER	
L0115-00	1		SWITCH, SPDT ON-OFF, BLK	
L0112-00	1		SWITCH, SPDT (ON)-OFF-(ON), BLK	
L0111-00	1		SWITCH, SPST MOM. (ON)-OFF, BLK	
L0109-00	1		SWITCH, SPST ON-OFF, BLK, GRN LT.	
CE0136-00	1		SILKSCREENED CHASSIS	

ENGLISH TOLERANCE UNLESS SPECIFIED
 0 PL.: .040 1 PL.: .020
 2 PL.: .010 3 PL.: .005
 FRACTIONS 1/64

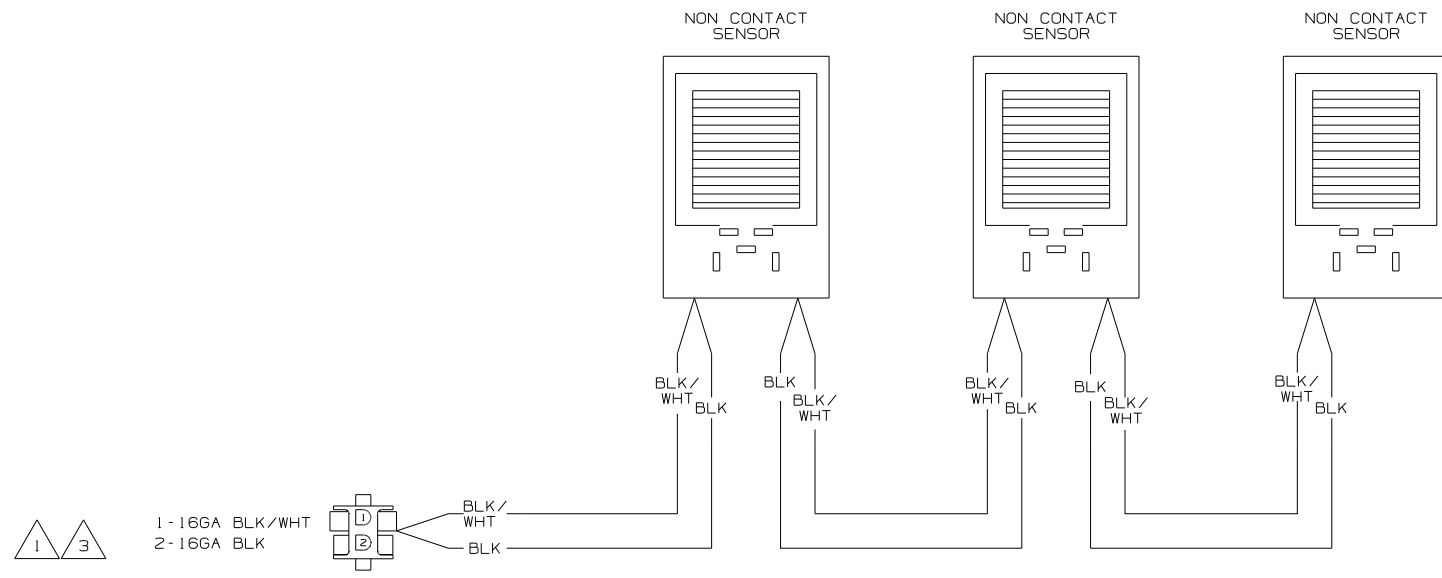
BLANK SIZE	DATE	MATERIAL	USED ON	WINNEBAGO
DRAWN	11/21/03	SEE BOM		
CHECKED				
DATE				
NAME				
DATE				
APP'VD				

FUNCTION DRAWING, MONITOR PANEL
 SCALE: NONE
 DWG. NO. PAGE 2 OF 2
 LA1074-00

FIRST USED	05 D SERIES
TITLE:	DO NOT SCALE DRAWING
	PANEL - MONITOR
SHEET 10	PART NO 134940 REV



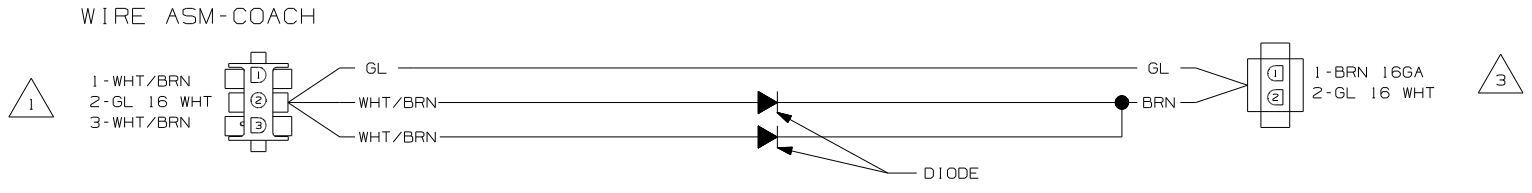
WIRING DIAGRAM-TANK, WATER
OR
WIRING DIAGRAM-TANK, MAIN
(WIRE ASM-151316 REV A)



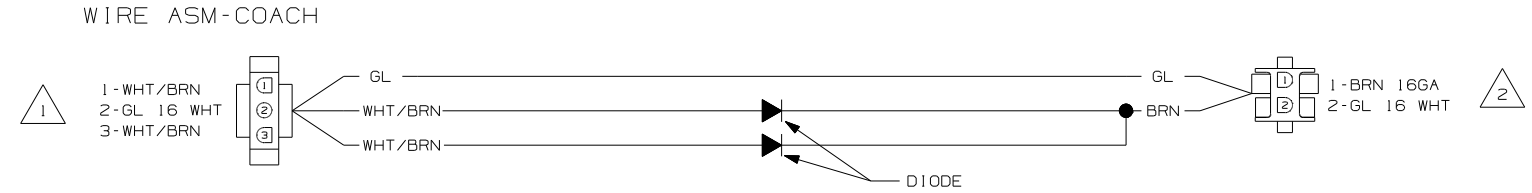
WIRING DIAGRAM-AUX HOLDING
(WIRE ASM-151317 REV A)

- NOTES:
- 3 IF TWO MONITOR PANELS ARE UTILIZED THIS WIRE ASM CONNECTS TO WIRE ASM-TANK,DIODE PACK 151808-01 SHT2.
 - 2 IF TWO MONITOR PANELS ARE UTILIZED THIS WIRE ASM CONNECTS TO WIRE ASM-TANK,DIODE PACK 151808-02 SHT2.
 - 1 IF ONLY ONE MONITOR PANEL IS USED SEE WIRING DIAGRAM-BODY FOR ADDITIONAL INFORMATION.

WINNEBAGO		COPYRIGHT 2006 WINNEBAGO INDUSTRIES, INC.	
DFTR	ORIG. DATE		
CHKR	ALL DIMENSIONS ARE IN MILLIMETERS		
P.E.			
M.E.	FIRST USED		
DSNR	05 MOTOR HOMES		
UNSPECIFIED TOLERANCES ARE:		MATERIAL:	
WHOLE DIM (X)	:	1	*
ONE-PLACE (X.X)	:		*
TWO-PLACE (X.XX)	:		*
ANGLE	:		*
THIRD ANGLE PROJECTION	:		*
DO NOT SCALE DRAWING			
TITLE: WIRING DIAGRAM-HOLDING TANKS			
SHEET 1 OF 2	PART NO	152594	
REF:	1 6/5/2007		



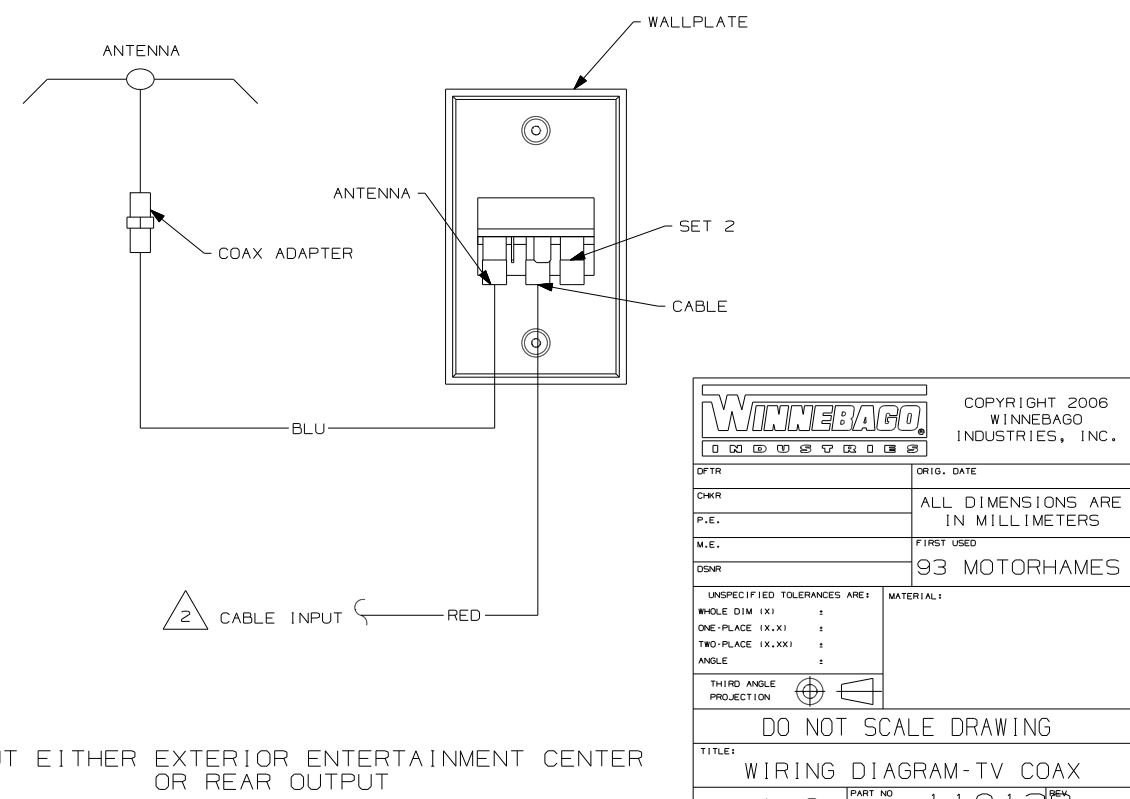
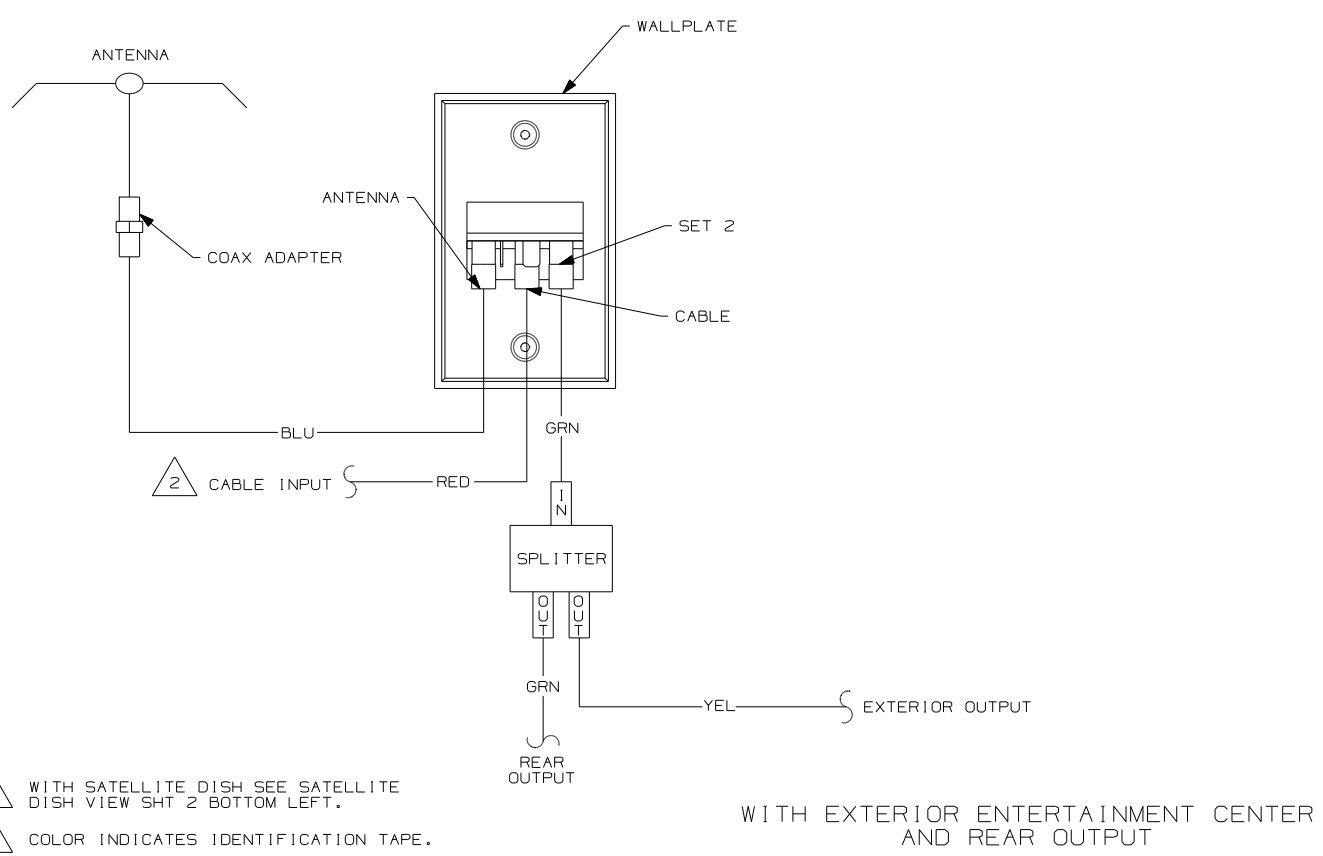
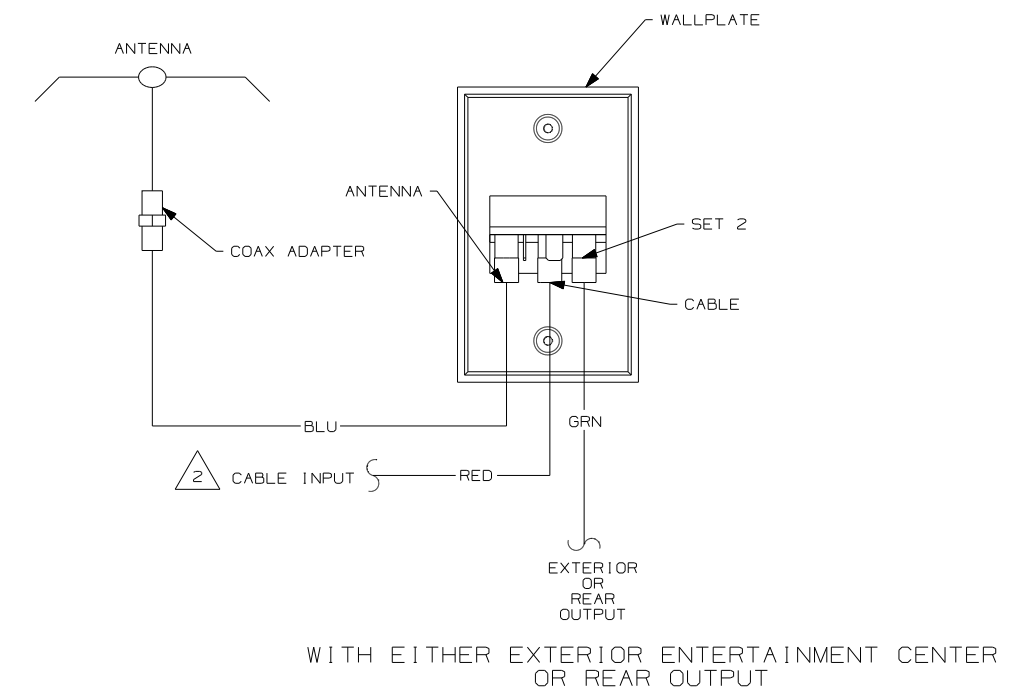
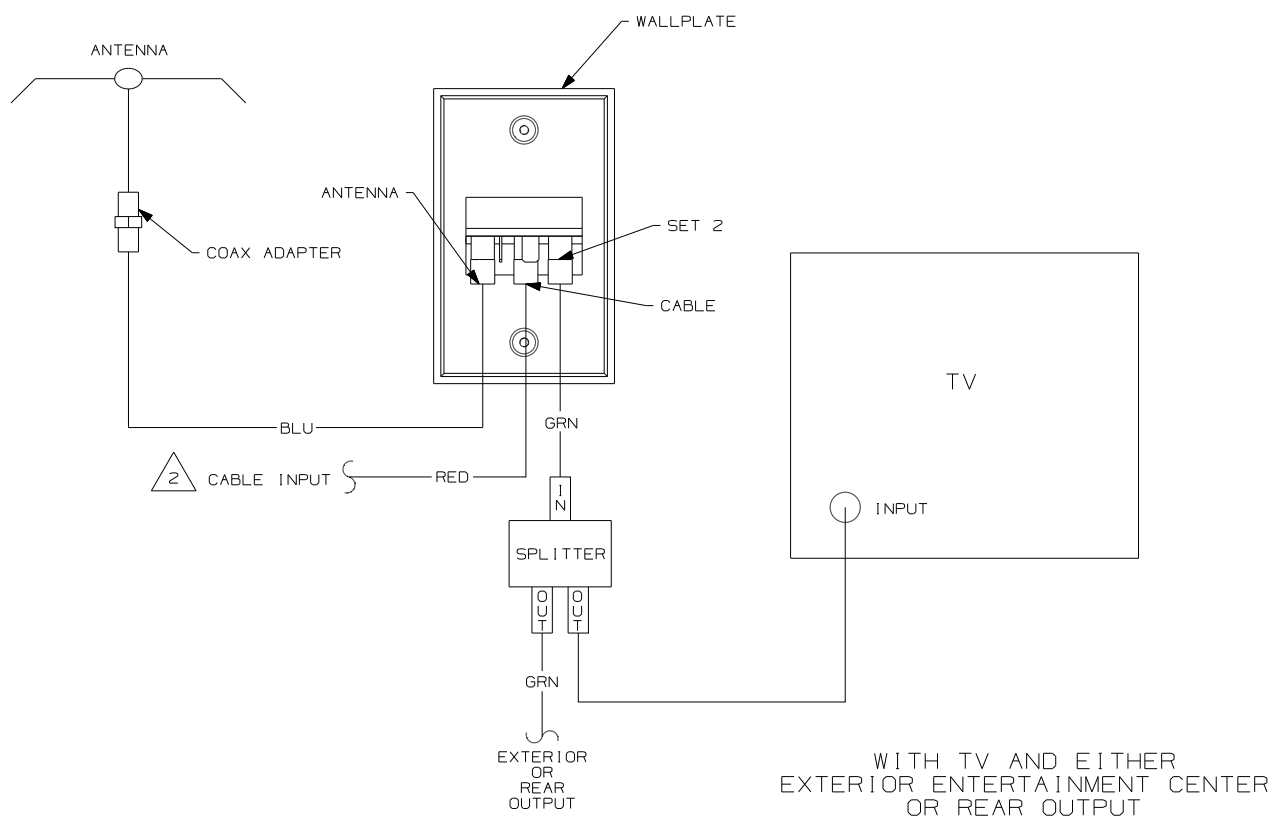
WIRING DIAGRAM-TANK,DIODE PACK
151808-01-000 REV A



WIRING DIAGRAM-TANK,DIODE PACK
151808-02-000 REV A

- NOTES:
- 3 CONNECT TO WIRE ASM-TANK,AUX. SEE SHT 1.
 - 2 CONNECT WIRE ASM-TANK,WATER OR MAIN. SEE SHT 1.
 - 1 SEE WIRING DIAGRAM-BODY FOR ADDITIONAL INFORMATION.

FIRST USED	05 MOTOR HOMES
TITLE:	DO NOT SCALE DRAWING
	WIRING DIAGRAM-HOLDING TANKS
SHEET 2	PART NO 152594

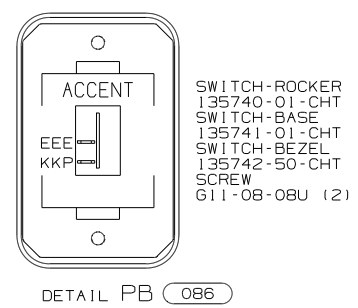
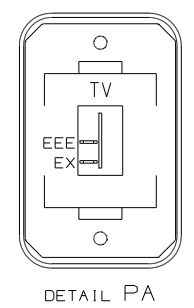
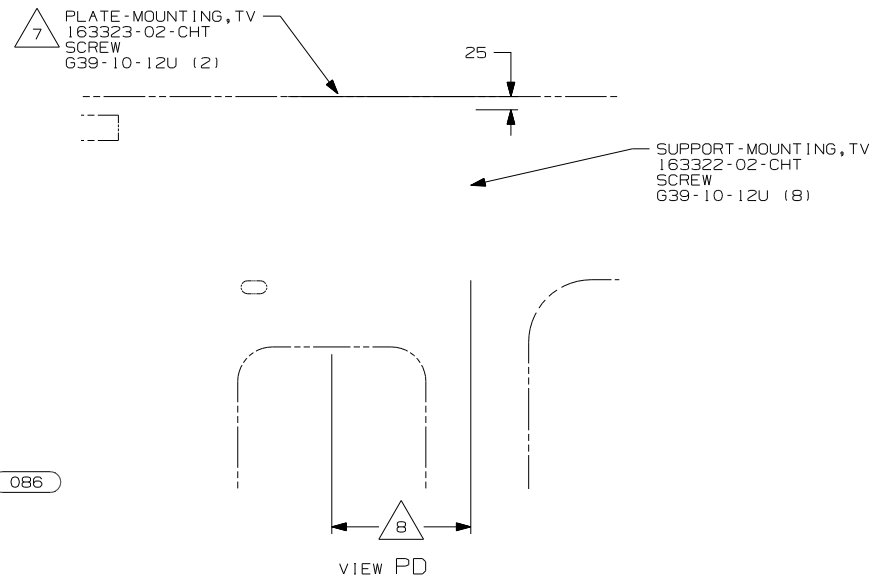
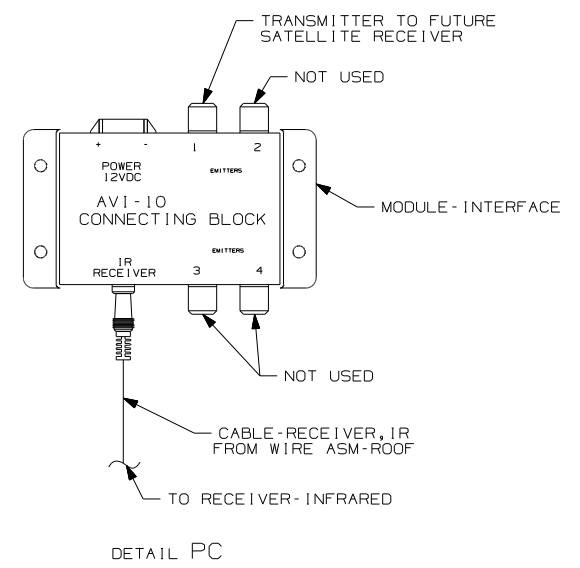
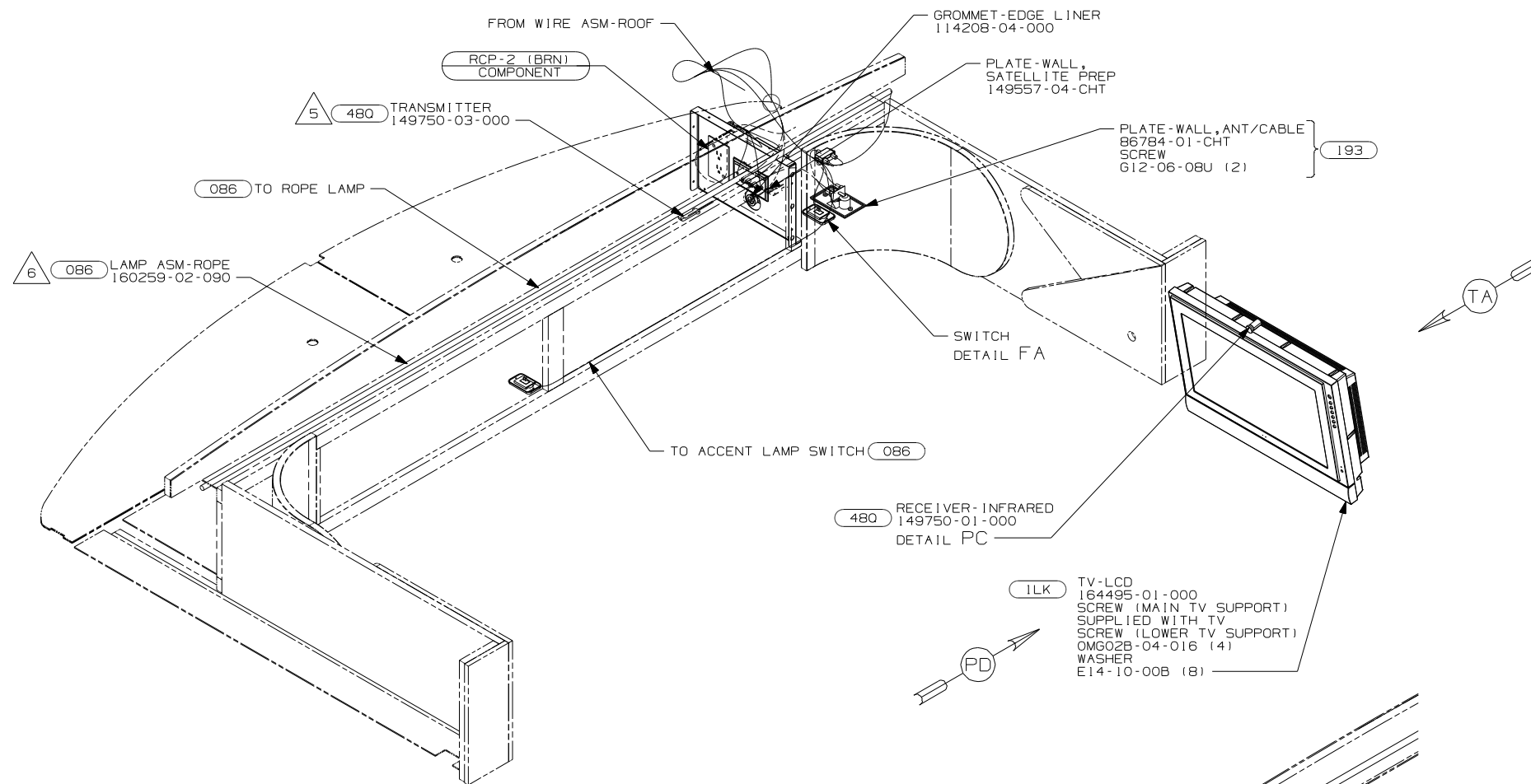


2 WITH SATELLITE DISH SEE SATELLITE DISH VIEW SH2 BOTTOM LEFT.

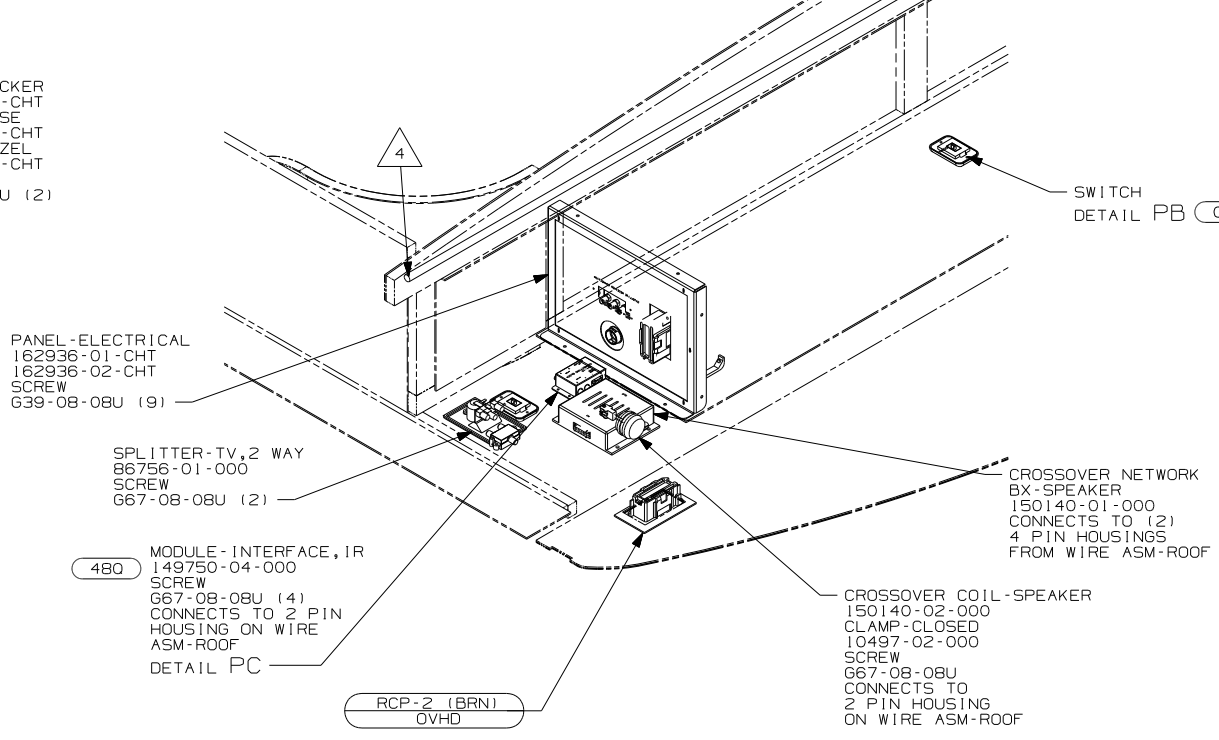
1 COLOR INDICATES IDENTIFICATION TAPE.

NOTES:

WINNEBAGO		COPYRIGHT 2006 WINNEBAGO INDUSTRIES, INC.	
DFTR	ORIG. DATE	ALL DIMENSIONS ARE IN MILLIMETERS	
CHKR		FIRST USED	
P.E.		93 MOTORHAMES	
M.E.		UNSPECIFIED TOLERANCES ARE:	
DSNR		MATERIAL:	
		WHOLE DIM (X)	:
		ONE-PLACE (X.X)	:
		TWO-PLACE (X.XX)	:
		ANGLE	:
		THIRD ANGLE PROJECTION	⊕
DO NOT SCALE DRAWING			
TITLE: WIRING DIAGRAM-TV COAX			
SHEET 1 OF 2	PART NO	110138	
REF:	1 6/5/2007		



- NOTES:
- 110V WIRE TO BE CLAMPED WITH CLAMP 10497-05-000 WITHIN 200MM OF OUTLET BOXES, USE SCREW 667-10-12B.
 - WHERE WIRES PASS THROUGH HOLES IN STEEL AND NOT OTHERWISE PROTECTED, USE GROMMET 92908-02-000.
 - ALL WIRES TO BE SECURED WITH CLAMP 10495-01-000 OR CLIP 80734-01-000 EVERY 600MM. USE SCREW 667-10-12B UNLESS OTHERWISE SPECIFIED.
 - PLACE CONNECTOR HERE TO MAKE CONNECTION TO WIRE ASM. USE CONNECTOR 58028-01-000 (2).
 - ROUTE TRANSMITTER THROUGH GROMMET AND COIL FOR FUTURE USE.
 - SNAP ROPE LAMP IN CHANNELS ON OVERHEAD CABINETS.
 - MOUNT BRACKET TO TV BEFORE ATTACHING TO TO WALLMOUNT.
 - CENTER TV BRACKET OVER WINDOW CUTOUT.



- 480 SATELLITE DISH & ELEV.SENSOR
- 193 TV ANTENNA-AMPLIFIED SYSTEM
- 086 INTERIOR UPGRADE PACKAGE
- 1LK TV-19"DC,COLOR,LCD W/REMOTE
- 265 CODES/STANDARDS-CSA/CMVSS
- 1B1 CODES/STANDARDS USA

FOR ELECTRICAL TORQUE SPECIFICATIONS SEE DWG NO. 128783-01-000

FOR ELECTRICAL CALLOUTS SEE DWG NO. 121339-01-000

FIRST USED

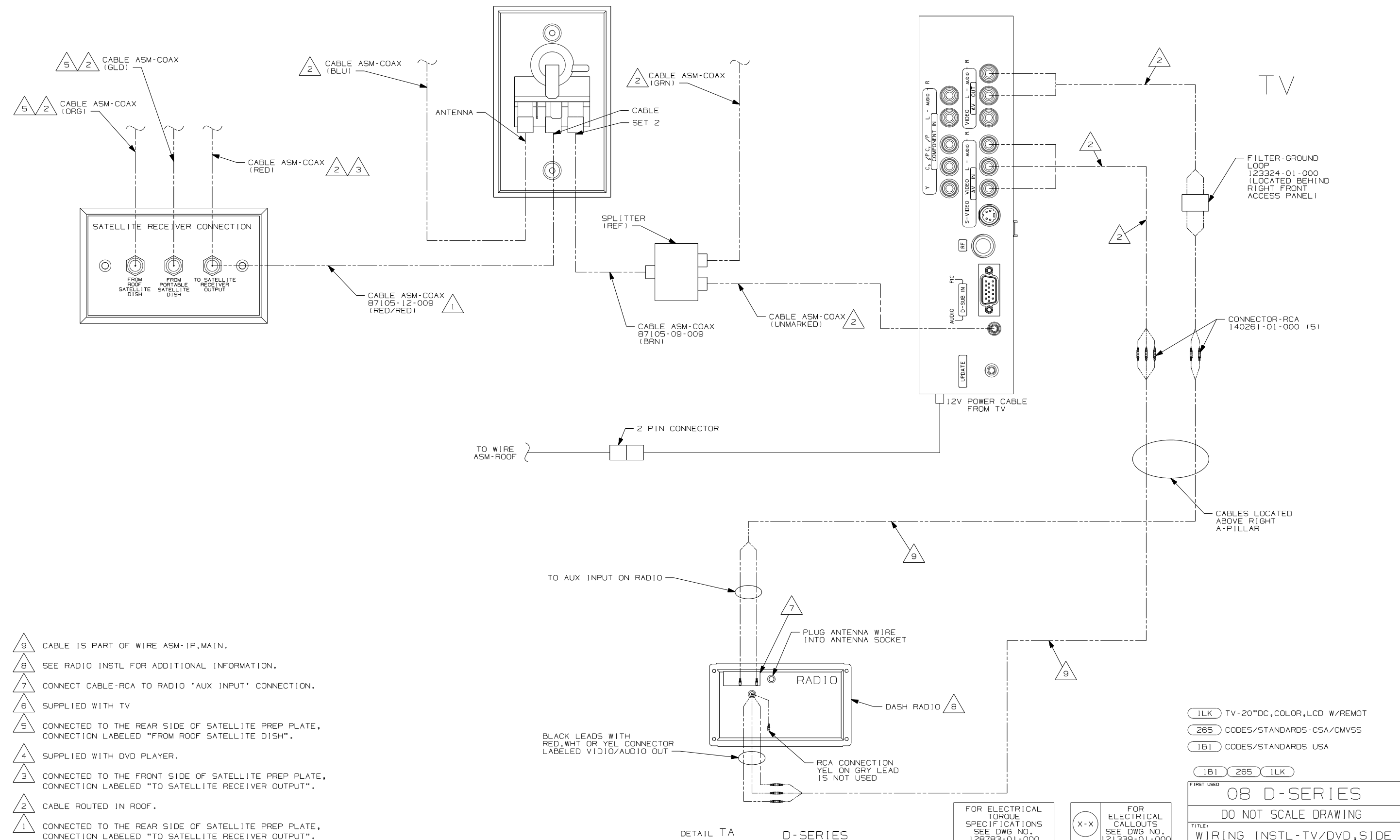
08 D-SERIES

DO NOT SCALE DRAWING

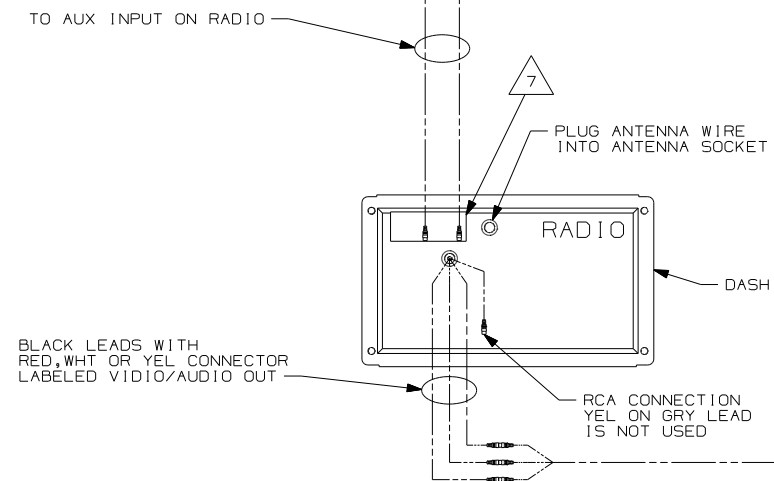
TITLE: WIRING INSTL-TV/DVD, SIDE

SHEET 14 PART NO 160326 REV

1 2/19/2008



- NOTES:
- 9 CABLE IS PART OF WIRE ASM-IP,MAIN.
 - 8 SEE RADIO INSTL FOR ADDITIONAL INFORMATION.
 - 7 CONNECT CABLE-RCA TO RADIO 'AUX INPUT' CONNECTION.
 - 6 SUPPLIED WITH TV
 - 5 CONNECTED TO THE REAR SIDE OF SATELLITE PREP PLATE, CONNECTION LABELED "FROM ROOF SATELLITE DISH".
 - 4 SUPPLIED WITH DVD PLAYER.
 - 3 CONNECTED TO THE FRONT SIDE OF SATELLITE PREP PLATE, CONNECTION LABELED "TO SATELLITE RECEIVER OUTPUT".
 - 2 CABLE ROUTED IN ROOF.
 - 1 CONNECTED TO THE REAR SIDE OF SATELLITE PREP PLATE, CONNECTION LABELED "TO SATELLITE RECEIVER OUTPUT".



FOR ELECTRICAL TORQUE SPECIFICATIONS SEE DWG NO. 128783-01-000

FOR ELECTRICAL CALLOUTS SEE DWG NO. 121339-01-000

- 1LK TV-20"DC,COLOR,LCD W/REMOT
- 265 CODES/STANDARDS-CSA/CMVSS
- 1B1 CODES/STANDARDS USA

FIRST USED	
08 D-SERIES	
DO NOT SCALE DRAWING	
TITLE:	
WIRING INSTL-TV/DVD,SIDE	
SHEET 17	PART NO 160326 REV

TERMINALS

SPLICES

HOUSINGS AND TERMINALS

NO.	PART NUMBER	DESCRIPTION
B-1	50003-01	TERMINAL-PIN, 16-14 GA, .156 DIA
B-2	50004-01	TERMINAL-RECP, 16-14 GA, .156 DIA
B-11	50003-02	TERMINAL-PIN, 16-14 GA, .180 DIA
B-12	50004-02	TERMINAL-RECP, 16-14 GA, .180 DIA
WP-1	106950-01	TERMINAL-PIN, 16-14 GA
WP-2	106950-02	TERMINAL-PIN, 10-12 GA
WP-3	106950-03	TERMINAL-PIN, 8 GA
R-1	35416-01	TERMINAL-RING, #10 STD, 8 GA
R-2	35416-02	TERMINAL-RING, #10 STD, 6 GA
R-3	35416-03	TERMINAL-RING, #10 STD, 10-12 GA
R-4	35416-04	TERMINAL-RING, #10 STD, 14-16 GA
R-5	37018-01	TERMINAL-RING, 5/16 STD, 12-10 GA
R-6	102777-01	TERMINAL-RING, #6 STD, 14-16 GA
R-7	102777-02	TERMINAL-RING, #6 STD, 10-12 GA
R-8	102777-03	TERMINAL-RING, #6 STD, 8 GA
R-9	33787-01	TERMINAL-RING, #10 STD, 14 GA
R-60	8325-01	TERMINAL-RING, 1/4 STD, 14-16 GA
R-61	8326-01	TERMINAL-RING, 3/8 STD, 14-16 GA
R-62	8327-01	TERMINAL-RING, #10 STD, 14-16 GA
R-63	8328-01	TERMINAL-RING, #10 STD, 10-12 GA
R-64	8328-02	TERMINAL-RING, 3/8 STD, 10-12 GA
R-65	8329-01	TERMINAL-RING, 3/8 STD, 8 GA
R-66	8331-01	TERMINAL-RING, 3/8 STD, 4 GA
R-67	8332-01	TERMINAL-RING, 1/4 STD, 6 GA
R-68	8332-02	TERMINAL-RING, 1/4 STD, 10 GA
R-69	8350-01	TERMINAL-RING, 3/8 STD, 6 GA
R-70	99275-02	TERMINAL-RING, 7/16 STD, 8 GA
R-71	101397-01	TERMINAL-RING, #10 STD, 14-16 GA
R-91	88791-01	TERMINAL-RING, 3/8, 90°, 1/0 GA
R-92	88791-02	TERMINAL-RING, 3/8, 90°, 2 GA
R-93	8348-01	TERMINAL-RING, 3/8 STD, 2 GA
R-94	99275-01	TERMINAL-RING, 7/16 STD, 1/0 GA
RF-51	7944-01	TERMINAL-SPADE, 12-10 GA, #8 STUD
RF-52	7945-01	TERMINAL-SPADE, 18-14 GA, #8 STUD
TR-1	47443-01	TERMINAL-RECP, 16-14 GA, .25, INS
TR-2	47443-02	TERMINAL-RECP, 12-10 GA, .25, INS
TR-3	47443-05	TERMINAL-RECP, 22-18 GA, .25, INS
TR-11	47443-03	TERMINAL-RECP, 16-14 GA, .19, INS
TR-12	47443-04	TERMINAL-RECP, 16-14 GA, .11, INS
TR-21	80015-01	TERMINAL-RECP, 22-18 GA, .250, 90 DEG FOR USE WITH TAB THICKNESS .032
TR-22	80015-02	TERMINAL-RECP, 16-14 GA, .187, 90 DEG FOR USE WITH TAB THICKNESS .032
TR-23	80015-03	TERMINAL-RECP, 16-14 GA, .250, 90 DEG FOR USE WITH TAB THICKNESS .032
TR-24	80015-04	TERMINAL-RECP, 16-14 GA, .187, 90 DEG FOR USE WITH TAB THICKNESS .020
TR-51	7940-01	TERMINAL-RECP, 16-12 GA, .25, UNINS
TR-52	23809-01	TERMINAL-RECP, 16-14 GA, .19, UNINS
TR-53	23809-02	TERMINAL-RECP, 18-20 GA, .25, UNINS
TR-54	49270-01	TERMINAL-RECP, 18-20 GA, .19, UNINS
TR-55	7940-02	TERMINAL-RECP, 10 GA, .25, UNINS
TT-1	85745-02	TERMINAL-TAB, 16-14 GA, .25, INS
TT-2	85745-03	TERMINAL-TAB, 10-12 GA, .25, INS
TT-11	85745-04	TERMINAL-TAB, 18-22 GA, .19, INS
TT-51	7942-01	TERMINAL-TAB, 16-14 GA, .25, UNINS
TT-52	7943-01	TERMINAL-TAB, 14-10 GA, .25, UNINS
MF6-1	129236-01	TERMINAL-FEM, M/P, 630, 10-12
MF6-2	129236-02	TERMINAL-FEM, M/P, 630, 14-16

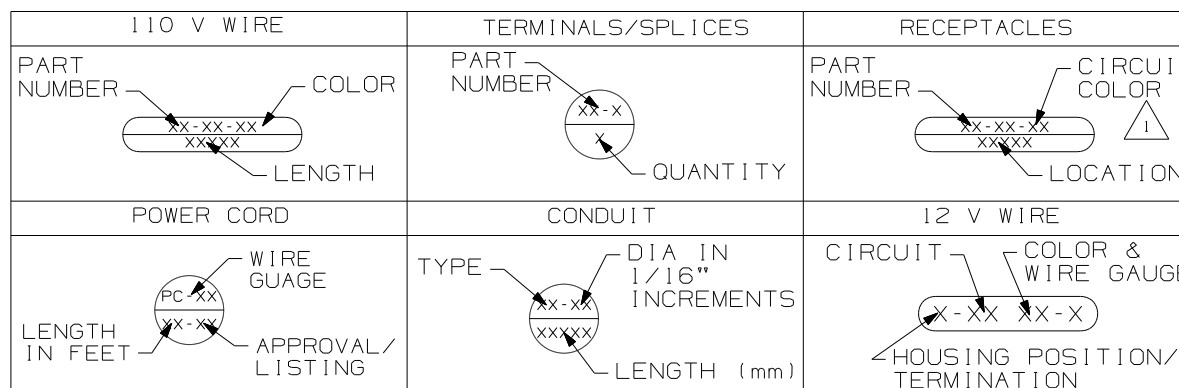
NO.	PART NUMBER	DESCRIPTION
BS-1	31876-01	SPLICE-BUTT, 16-14 GA, BLUE
BS-2	31876-02	SPLICE-BUTT, 12-10 GA, YELLOW
BS-3	31876-03	SPLICE-BUTT, 22-18 GA, RED
BS-SB	100070-01	SPLICE-BUTT, 14-16 GA, SHRINK, BLUE
BS-RB	112823-01	SPLICE-BUTT, 14-22 GA, REDUCER
S-1	7946-01	SPLICE, 1-6 MM ²
S-2	23808-01	SPLICE, 6-9 MM ²
1-2	7956-02	SHRINK WRAP .375 DIA
1-5	7956-05	SHRINK WRAP .25 DIA
SH-1	58028-01	SPLICE-HAT
S-10	101173-01	SPLICE-BARREL, 26300 CMA

NO.	PART NUMBER	DESCRIPTION
SP-1	90986-02	PLUG ASM-ELECTRIC STEP
SP-2	142524-01-000 098261-01-000 098262-07-000 098261-02-000 (3) 098262-01-000 (3)	HOUSING-4 PIN SOCKET-CONNECTOR SEAL-CONNECTOR SOCKET-CONNECTOR SEAL-CONNECTOR
HR-1	63910-01	HOUSING-RELAY
MP-8	125323-02	HOUSING-PIN, 8 CAVITY
MP-10	125323-01	HOUSING-PIN, 10 CAVITY
MPP	125324-01	TERMINAL-MALE, M/P, 150
CAV-1	125325-01	SEAL-CAVITY, 150-SERIES M/P
CON-3	98262-03	SEAL-CONNECTOR
LS-8	125323-03	LOCK-SECONDARY 8 POSITION
LS-10	125323-04	LOCK-SECONDARY 10 POSITION
H-8	108355-01	HOUSING-SWITCH, 8 POSITION
H-12	108355-02	HOUSING-SWITCH, 12 POSITION

NO.	PART NUMBER	DESCRIPTION
GEN-1	125323-02-000 125324-01-000 (4) 098262-03-000 (4) 125325-01-000 (4) 125323-03-000	HOUSING-8 POSN, MALE, 150 SERIES TERMINAL-MALE, M/P, 150 SEAL-CONNECTOR SEAL-CAVITY, 150 SERIES M/P LOCK-SECONDARY 8 POSITION
GEN-2	125323-01-000 125324-01-000 (5) 098262-03-000 (5) 125325-01-000 (5) 125323-04-000	HOUSING-10 POSN, MALE, 150 SERIES TERMINAL-MALE, M/P, 150 SEAL-CONNECTOR SEAL-CAVITY, 150 SERIES M/P LOCK-SECONDARY 10 POSITION

NO.	PART NUMBER	DESCRIPTION
HS-2	88474-10	HOUSING-SOCKET, 2 CAVITY
HS-3	88474-09	HOUSING-SOCKET, 3 CAVITY
HS-4	88474-08	HOUSING-SOCKET, 4 CAVITY
HS-5	88474-07	HOUSING-SOCKET, 5 CAVITY
HS-6	88474-06	HOUSING-SOCKET, 6 CAVITY
HS-7	88474-05	HOUSING-SOCKET, 6 CAVITY-IN LINE
HS-9	88474-03	HOUSING-SOCKET, 9 CAVITY
HS-12	88474-01	HOUSING-SOCKET, 12 CAVITY
HS-15	88474-02	HOUSING-SOCKET, 15 CAVITY
HS-2-R	88474-12	HOUSING-SOCKET, 2 CAVITY-RED
HP-2	88473-10	HOUSING-PIN, 2 CAVITY
HP-3	88473-09	HOUSING-PIN, 3 CAVITY
HP-4	88473-08	HOUSING-PIN, 4 CAVITY
HP-5	88473-07	HOUSING-PIN, 5 CAVITY
HP-6	88473-06	HOUSING-PIN, 6 CAVITY
HP-7	88473-05	HOUSING-PIN, 6 CAVITY-IN LINE
HP-8	88473-04	HOUSING-PIN, 8 CAVITY-IN LINE
HP-9	88473-03	HOUSING-PIN, 9 CAVITY
HP-12	88473-01	HOUSING-PIN, 12 CAVITY
HP-15	88473-02	HOUSING-PIN, 15 CAVITY
HP-2-R	88473-15	HOUSING-PIN, 2 CAVITY-RED
HP-3-B	88473-12	HOUSING-PIN, 3 CAVITY-BLUE
HP-3-G	88473-13	HOUSING-PIN, 3 CAVITY-GREEN
HP-3-R	88473-14	HOUSING-PIN, 3 CAVITY-RED
TS-1	88476-01	SOCKET-CONNECTOR, 20-14 GA
TS-2	88476-02	SOCKET-CONNECTOR, 12-10 GA
TP-1	88475-01	PIN-CONNECTOR, 20-14 GA
TP-2	88475-02	PIN-CONNECTOR, 12-10 GA
HS2HA	137208-01	HOUSING-SOCKET, 2 CAVITY-HIGH AMP
HP2HA	137207-01	HOUSING-PIN, 2 CAVITY-HIGH AMP
TS-HA	137210-01	SOCKET-CONNECTOR, 10AWG HIGH AMP
TP-HA	137209-01	PIN-CONNECTOR, 10AWG HIGH AMP
H-HA	104100-01	HOUSING, 1 CAVITY 75 AMP
T-HA	104100-03	TERMINAL 10 AWG - 6 AWG 75 AMP

BALLOON CALLOUT LEGEND



WINNEBAGO COPYRIGHT 2006 WINNEBAGO INDUSTRIES, INC.

ALL DIMENSIONS ARE IN MILLIMETERS

FIRST USED 96 MH'S

UNSPECIFIED TOLERANCES ARE: MATERIAL:

DO NOT SCALE DRAWING

TITLE: PART LISTING-ELECTRICAL

SHEET 1 OF 7 PART NO 121339 REV

NOTES: 1 FOR RECP-BLANK, DET-X DENOTES DETAIL VIEW. 2 CONTACT WIRE PREP PRIOR TO USING FOR TOOLING PURPOSES.

WIRE-SINGLE INS CONDUCTOR, STRANDED

NO.	PART NUMBER	DESCRIPTION
18-W 18-Y	156658-01 156658-02	WIRE, 18 GA. WHITE, PVC WIRE, 18 GA. YELLOW, PVC
16-Y 16-W	89360-01 89360-02	WIRE, 16 GA. YELLOW, PVC WIRE, 16 GA. WHITE, PVC
14-Y 14-W	48554-02 48554-04	WIRE, 14 GA. YELLOW, PVC WIRE, 14 GA. WHITE, PVC
12-Y 12-W	48555-02 48555-04	WIRE, 12 GA. YELLOW, PVC WIRE, 12 GA. WHITE, PVC
10-Y 10-W	8000-03 8000-05	WIRE, 10 GA. YELLOW, PVC WIRE, 10 GA. WHITE, PVC
8-B 8-G	8005-01 8005-03	WIRE, 8 GA. BLACK, PVC WIRE, 8 GA. GREEN, PVC
6-B 6-G	70065-01 70065-03	WIRE, 6 GA. BLACK, PVC WIRE, 6 GA. GREEN, PVC
18-WX 18-YX	121015-01 121015-02	WIRE, 18 GA. WHITE, XLPE WIRE, 18 GA. YELLOW, XLPE
16-YX 16-WX	116675-01 116675-02	WIRE, 16 GA. YELLOW, XLPE WIRE, 16 GA. WHITE, XLPE
14-YX 14-WX	98586-01 98586-02	WIRE, 14 GA. YELLOW, XLPE WIRE, 14 GA. WHITE, XLPE
12-YX 12-WX	98609-01 98609-02	WIRE, 12 GA. YELLOW, XLPE WIRE, 12 GA. WHITE, XLPE
10-YX 10-WX	116676-03 116676-04	WIRE, 10 GA. YELLOW, XLPE WIRE, 10 GA. WHITE, XLPE
8-BX 8-GX	116674-01 116674-02	WIRE, 8 GA. BLACK, XLPE WIRE, 8 GA. GREEN, XLPE
6-BX 6-GX	116687-01 116687-02	WIRE, 6 GA. BLACK, XLPE WIRE, 6 GA. GREEN, XLPE

RECEPTACLES

NO.	PART NUMBER	DESCRIPTION
RCP-1	86738-02-CHT	RECEPTACLE-SINGLE, FLUSH MOUNT
RCP-2	86738-01-CHT	RECEPTACLE-DOUBLE, FLUSH MOUNT
RCP-3	58707-01-000	RECEPTACLE-SINGLE, SURFACE MOUNT
RCP-4	157360-01-000	RECEPTACLE-SINGLE, SURFACE MOUNT, 20A
RCP-5	160984-01-CHT	RECEPTACLE-SINGLE, FLUSH MOUNT, 20A
RCP-B	58707-02-000	RECEPTACLE-BLANK, JUNCTION
RCP-E	131826-01-CHT	INCLUDES COVER & GASKET

WIRE-NM SHEATHED CABLE

NO.	PART NUMBER	DESCRIPTION
14 UL	8027-01-000	WIRE 14-2 ROMEX W/GROUND (UL)
14 CA	8023-02-000	WIRE 14-2 ROMEX W/GROUND (CAN)
12 UL	8026-01-000	WIRE 12-2 ROMEX W/GROUND (UL)
12 CA	8023-01-000	WIRE 12-2 ROMEX W/GROUND (CAN)
12-3 UL	8026-03-000	WIRE 12-3 ROMEX W/GROUND (UL)
12-3 CA	8023-03-000	WIRE 12-3 ROMEX W/GROUND (CAN)
10 UL	8022-01-000	WIRE 10-2 ROMEX W/GROUND (UL)
10 CA	24743-01-000	WIRE 10-2 ROMEX W/GROUND (CAN)
6-3 UL	108914-01-000	WIRE 6-3 ROMEX W/GROUND (UL)
6-3 CA	113136-01-000	WIRE 6-3 ROMEX W/GROUND (CAN)
6-2 UL	108914-02-000	WIRE 6-2 ROMEX W/GROUND (UL)
4-3 UL	128375-01-000	WIRE 4-3 ROMEX W/GROUND (UL)
4-3 CA	128375-01-000	WIRE 4-3 ROMEX W/GROUND (CAN)

POWER CORDS

NO.	PART NUMBER	DESCRIPTION
PC-10 28	8054-01-000	POWER CORD 10 GA, 30 AMP, 28 FT. (UL/CA)
PC-10 35	8054-02-000	POWER CORD 10 GA, 30 AMP, 35 FT. (UL/CA)
PC-10 30-CA	8052-01-000	SUPERCEDED BY 8054-01-000
PC-6 36	108934-01-000	POWER CORD 6 GA, 50 AMP, 36 FT. (UL/CA)
PC-6 36-FX	108934-02-000	POWER CORD 6 GA, 50 AMP, 36 FT. (UL/CSA) SUPERFLEX
PC-6 36-CA	113096-01-000	SUPERCEDED BY 108934-02-000

CIRCUIT COLOR LEGEND

110V CIRCUIT	WIRE COLOR	COAXIAL CIRCUIT
A/C CIRCUIT 1	RED	CABLE INPUT W/O SPLITTER
A/C CIRCUIT 2	GRN	REAR TV W/O SPLITTER
GENERAL RECPS 1	BLU	ANTENNA
GENERAL RECPS 2	BRN	FRONT TV
GENERAL RECPS 3	PUR	VCR INPUT
GENERAL RECPS 4	GRY	
REFRIGERATOR/ CONVERTER	YEL	EXT ENT CTR
MICROWAVE	BLK	AUX INPUT
WATER HEATER	WHT	
WASHER/DRYER	GLD	
DISHWASHER	SIL	
	ORG	SATELLITE PLATE INPUT
	ORG/ORG	SATELLITE PLATE OUTPUT
	RED/RED	CABLE INPUT W/SPLITTER
	GRN/GRN	REAR TV W/SPLITTER
	PUR/PUR	VCR OUTPUT

CONDUIT

NO.	PART NUMBER	DESCRIPTION	TEMP.
C-4	41953-07-000	CONDUIT-CONVOLUTE, SLIT .25" ID	194° F
C-6	41953-06-000	CONDUIT-CONVOLUTE, SLIT .38" ID	194° F
C-8	41953-01-000	CONDUIT-CONVOLUTE, SLIT .50" ID	194° F
C-10	41953-02-000	CONDUIT-CONVOLUTE, SLIT .63" ID	194° F
C-16	41953-03-000	CONDUIT-CONVOLUTE, SLIT 1.0" ID	194° F
C-24	41953-08-000	CONDUIT-CONVOLUTE, SLIT 1.5" ID	194° F
C-32	41953-15-000	CONDUIT-CONVOLUTE, SLIT 2.0" ID	194° F
CX-8	41953-09-000	CONDUIT-CONVOLUTE, SLIT .50" ID	239° F
CX-12	41953-10-000	CONDUIT-CONVOLUTE, SLIT .75" ID	239° F
CX-16	41953-11-000	CONDUIT-CONVOLUTE, SLIT 1.0" ID	239° F
CX-20	41953-13-000	CONDUIT-CONVOLUTE, SLIT 1.25" ID	239° F
CX-24	41953-14-000	CONDUIT-CONVOLUTE, SLIT 1.50" ID	239° F
CX-32	41953-16-000	CONDUIT-CONVOLUTE, SLIT 2.0" ID	239° F
CN-10	41953-05-000	CONDUIT-CONVOLUTE, NOT SLIT .63" ID	194° F
CN-16	41953-12-000	CONDUIT-CONVOLUTE, NOT SLIT 1.0" ID	194° F

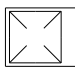
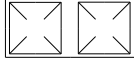
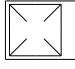
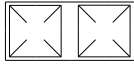
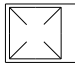
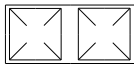
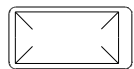
BATTERY CABLE LEGEND

COLOR	DESCRIPTION
PURPLE	CHASSIS BATTERY TO SOLENOID
BLUE	HYDRAULIC JACKS PUMP
RED	BATTERY TO STARTER
GREEN	BATTERY TO GENERATOR
YELLOW	COACH BATTERY TO SOLENOID


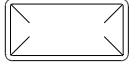

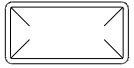
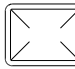

DWG NO 121339

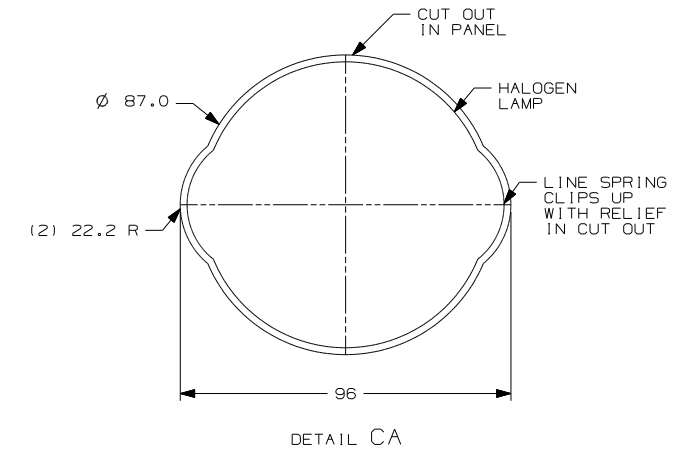
FIRST USED
96 MH'S
DO NOT SCALE DRAWING
TITLE:
PART LISTING-ELECTRICAL
SHEET 2 PART NO 121339 REV

LAMP ASM-PACKAGE , PANCAKE

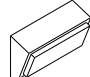


NO	PART NUMBER	DESCRIPTION
LF1-1	LAMP 98024-01-CHT SCREW G11-08-16U (4) CONNECTOR 58028-01-000 (2)	LAMP ASM, FROSTED LENS, 1 BULB W/SWITCH PROGRESSIVE DYNAMICS INC. 
LF2-1	LAMP 98024-03-CHT SCREW G11-08-16U (6) CONNECTOR 58028-01-000 (2)	LAMP ASM, FROSTED LENS, 2 BULB W/SWITCH PROGRESSIVE DYNAMICS INC. 
LO1-1	LAMP 98024-05-CHT SCREW G11-08-16U (4) CONNECTOR 58028-01-000 (2)	LAMP ASM, OPTI CLEAR LENS, 1 BULB W/SWITCH PROGRESSIVE DYNAMICS INC. 
LO2-1	LAMP 98024-06-CHT SCREW G11-08-16U (6) CONNECTOR 58028-01-000 (2)	LAMP ASM, OPTI CLEAR LENS, 2 BULB W/SWITCH PROGRESSIVE DYNAMICS INC. 
LF1N1	LAMP 98024-07-CHT SCREW G11-08-16U (4) CONNECTOR 58028-01-000 (2)	LAMP ASM, FROSTED LENS, 1 BULB W/O SWITCH PROGRESSIVE DYNAMICS INC. 
LF2N1	LAMP 98024-08-CHT SCREW G11-08-16U (6) CONNECTOR 58028-01-000 (2)	LAMP ASM, FROSTED LENS, 2 BULB W/O SWITCH PROGRESSIVE DYNAMICS INC. 
LFSN1	LAMP 98024-09-CHT SCREW G11-08-16U (6) CONNECTOR 58028-01-000 (2)	LAMP ASM, SINGLE FROSTED LENS, 2 BULB W/O SWITCH PROGRESSIVE DYNAMICS INC. 

LAMP ASM-PACKAGE , PANCAKE

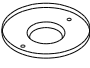

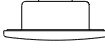
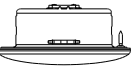
NO	PART NUMBER	DESCRIPTION
LF1-2	LAMP 137417-01-CHT SCREW G11-08-16U (4) CONNECTOR 58028-01-000 (2)	LAMP ASM, FROSTED LENS, 1 BULB W/SWITCH PROGRESSIVE DYNAMICS INC. 
LF2-2	LAMP 137417-04-CHT SCREW G11-08-16U (6) CONNECTOR 58028-01-000 (2)	LAMP ASM, FROSTED LENS, 2 BULB W/SWITCH PROGRESSIVE DYNAMICS INC. 
LO1-2	LAMP 137417-02-CHT SCREW G11-08-16U (4) CONNECTOR 58028-01-000 (2)	LAMP ASM, OPTI CLEAR LENS, 1 BULB W/SWITCH PROGRESSIVE DYNAMICS INC. 
LO2-2	LAMP 137417-05-CHT SCREW G11-08-16U (6) CONNECTOR 58028-01-000 (2)	LAMP ASM, OPTI CLEAR LENS, 2 BULB W/SWITCH PROGRESSIVE DYNAMICS INC. 
LF1N2	LAMP 137417-03-CHT SCREW G11-08-16U (4) CONNECTOR 58028-01-000 (2)	LAMP ASM, FROSTED LENS, 1 BULB W/O SWITCH PROGRESSIVE DYNAMICS INC. 
LFSN2	LAMP 137417-06-CHT SCREW G11-08-16U (6) CONNECTOR 58028-01-000 (2)	LAMP ASM, SINGLE FROSTED LENS, 2 BULB W/O SWITCH PROGRESSIVE DYNAMICS INC. 



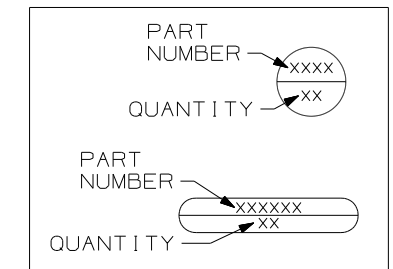
LAMP ASM-PACKAGE , PORCH

NO	PART NUMBER	DESCRIPTION
LEXT-1	LAMP 97917-01-CHT SCREW G67-10-129 (4) CONNECTOR 58028-01-000 (2)	LAMP ASM-PORCH, SURFACE MOUNT BARGMAN 
LEXT-ZUL	LAMP 8089-01-000 SCREW G68-06-10E (2) CONNECTOR 58028-01-000 (2)	LAMP ASM-PORCH, RECESSED UL LIST JRV PROD 
LEXT-2CA	LAMP 8089-02-000 SCREW G68-06-10E (2) CONNECTOR 58028-01-000 (2)	LAMP ASM-PORCH, RECESSED CAN LIST JRV PROD 

LAMP ASM-PACKAGE , HALOGEN

NO	PART NUMBER	DESCRIPTION
HAL	LAMP 123775-01-CHT SCREW (SUPPLIED) CONNECTOR 58028-01-000 (2)	LAMP ASM-HALOGEN, READING 1 BULB 
HAL-S	LAMP 123775-01-CHT SPACER 123775-02-CHT SCREW G13-06-16U (3) CONNECTOR 58028-01-000 (2)	LAMP ASM-HALOGEN, READING WITH 3/4" SPACER 1 BULB 
HAL-2	LIGHT-HAL, ROUND 165170-01-CHT SCREW G13-06-12B (2) CONNECTOR 58028-01-000 (2)	LIGHT-HALOGEN, ROUND 3" 
HAL-4	LIGHT-HAL, ROUND 165643-01-CHT SCREW G13-06-16B (3) CONNECTOR 58028-01-000 (2) (SEE DETAIL CA)	LIGHT-HALOGEN, ROUND 4.5" 

LEGEND



FIRST USED	96 MH'S
TITLE	DO NOT SCALE DRAWING
SHEET 3	PART LISTING-ELECTRICAL
PART NO	121339
REV	

LAMP ASM-PACKAGE, FLUORESCENT

LAMP ASM-PACKAGE, MAKEUP LAMP

LAMP ASM-PACKAGE, OTHER

NO	PART NUMBER	DESCRIPTION
FLU-1	LAMP 91936-02-CHT SCREW G11-08-12U (4) CONNECTOR 58028-01-000 (2)	LAMP ASM-FLUORESCENT 12" 2 BULB W/SWITCH THIN-LITE
FLU-2	LAMP 91936-01-CHT SCREW G11-08-12U (4) CONNECTOR 58028-01-000 (2)	LAMP ASM-FLUORESCENT 18" 2 BULB W/SWITCH THIN-LITE
FLU-3	LAMP 127327-01-CHT SCREW G11-08-12U (2) CONNECTOR 58028-01-000 (2)	LAMP ASM-FLUORESCENT 18" 1-12" BULB W/SWITCH THIN-LITE
FLU-4	LAMP 130338-01-CHT SCREW G11-08-12U (4) CONNECTOR 58028-01-000 (2)	LAMP ASM-FLUORESCENT 18" 2 BULB SURFACE MOUNT W/SWITCH THIN-LITE
FLU-5	LAMP 153464-02-CHT SCREW G11-08-12U (4) CONNECTOR 58028-01-000 (2)	LAMP ASM-FLUORESCENT 12" 2 BULB W/SWITCH COOL WHITE BULB THIN-LITE CUTOUT-122 X 336
FLU-6	LAMP 130338-02-CHT SCREW G11-08-12U (4) CONNECTOR 58028-01-000 (2)	LAMP ASM-FLUORESCENT 18" 2 BULB SURFACE MOUNT WARM WHITE BULB W/SWITCH THIN-LITE
FLU-7	LAMP 153464-05-CHT SCREW G11-08-12U (4) CONNECTOR 58028-01-000 (2)	LAMP ASM-FLUORESCENT 12" 2 BULB W/SWITCH WARM WHITE BULB THIN-LITE CUTOUT-122 X 336
FLUN1	LAMP 91936-04-CHT SCREW G11-08-12U (4) CONNECTOR 58028-01-000 (2)	LAMP ASM-FLUORESCENT 12" 2 BULB W/O SWITCH THIN-LITE
FLUN2	LAMP 91936-03-CHT SCREW G11-08-12U (4) CONNECTOR 58028-01-000 (2)	LAMP ASM-FLUORESCENT 18" 2 BULB W/O SWITCH THIN-LITE
FLUN3	LAMP 153464-01-CHT SCREW G11-08-12U (4) CONNECTOR 58028-01-000 (2)	LAMP ASM-FLUORESCENT 12" 2 BULB W/O SWITCH COOL WHITE BULB THIN-LITE CUTOUT-122 X 336

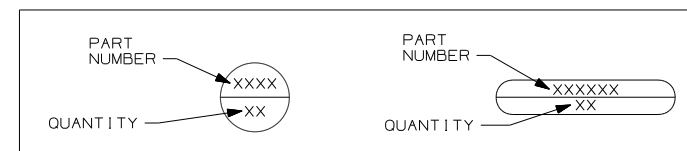
NO	PART NUMBER	DESCRIPTION
LMU3-1	LAMP 110235-01-CHT SCREW W/SPACER (SUPPLIED) CONNECTOR 58028-01-000 (2)	LAMP ASM-MAKEUP (W/O MIRROR) 3 BULB (SUPPLIED) PROGRESSIVE DYNAMICS
LMM3-2	LAMP 123774-03-CHT SCREW (SUPPLIED) BULB 123918-01-000 (3) CONNECTOR 58028-01-000 (2)	LAMP ASM-MAKEUP (W/MIRROR) 3 BULB GUSTOFSON
LMU3-2	LAMP 138116-01-CHT SCREW (SUPPLIED) BULB 123918-01-000 (3) CONNECTOR 58028-01-000 (2)	LAMP ASM-MAKEUP (W/O MIRROR) 3 BULB GUSTOFSON
LMU3-3	LAMP 162446-01-CHT SCREW (SUPPLIED) BULB 123918-01-000 (3) CONNECTOR 58028-01-000 (2)	LAMP ASM-MAKEUP (W/O MIRROR) 3 BULB GUSTOFSON
LMU4-1	LAMP 110235-02-CHT SCREW G11-08-16U (2) CONNECTOR 58028-01-000 (2)	LAMP ASM-MAKEUP (W/O MIRROR) 4 BULB PROGRESSIVE DYNAMICS
LMU4-2	LAMP 138116-02-CHT SCREW (SUPPLIED) BULB 123918-01-000 (4) CONNECTOR 58028-01-000 (2)	LAMP ASM-MAKEUP (W/O MIRROR) 4 BULB GUSTOFSON
LMU4-3	LAMP 162446-02-CHT SCREW (SUPPLIED) BULB 123918-01-000 (4) CONNECTOR 58028-01-000 (2)	LAMP ASM-MAKEUP (W/O MIRROR) 4 BULB GUSTOFSON
LMM4-2	LAMP 123774-01-CHT SCREW G11-08-16U (2) BULB 123918-01-000 (4) CONNECTOR 58028-01-000 (2)	LAMP ASM-MAKEUP (W/MIRROR) 4 BULB GUSTOFSON

NO	PART NUMBER	DESCRIPTION
LSH-1	LAMP 121935-01-CHT SCREW G11-08-16U (4) CONNECTOR 58028-01-000 (2)	LAMP ASM-SHOWER PROGRESSIVE DYNAMICS INC.
LSH-2	LAMP 164039-01-CHT SCREW G11-08-16U (3) CONNECTOR 58028-01-000 (2)	LIGHT-DOME, SHOWER
LSH-3	LAMP 164040-01-CHT SCREW G13-07-12U (3) CONNECTOR 58028-01-000 (2)	LIGHT-DOME, SHOWER GLASS
LCR-1	LAMP 61424-01-000 SCREW G11-08-12U (4) CONNECTOR 58028-01-000 (2)	LAMP ASM-COURTESY, AISLE RAMCO (RECTANGULAR)
LCS-1	LAMP 108354-01-CHT SCREW G11-08-12U (4) CONNECTOR 58028-01-000 (2)	LAMP ASM-COURTESY, AISLE ITC MARINE (SQUARE)
READ-1	LIGHT-READING 132427-01-CHT SCREW SUPPLIED W/ LIGHT CLIP-U 141395-02-CHT (2) CONNECTOR 58028-01-000 (2)	LIGHT-READING, SWIVEL, ROUND 1 BULB
READ-2	LIGHT-READING 128786-02-CHT SCREW G11-08-16J (2) BULB 123917-01-000 CONNECTOR 58028-01-000 (2)	LIGHT, READING, SWIVEL

LAMP ASM-PACKAGE, FLUORESCENT

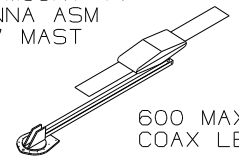
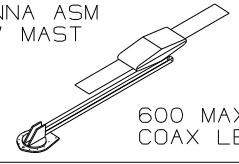
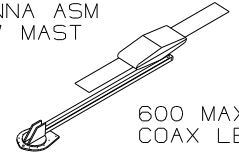
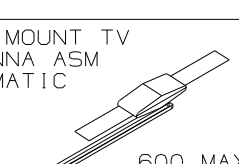
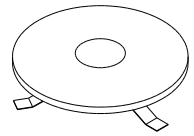
NO	PART NUMBER	DESCRIPTION
FLUN4	LAMP 153464-03-CHT SCREW G11-08-12U (6) CONNECTOR 58028-01-000 (2)	LAMP ASM-FLUORESCENT 18" 2 BULB W/O SWITCH COOL WHITE BULB THIN-LITE CUTOUT-122 X 480
FLUN5	LAMP 153464-06-CHT SCREW G11-08-12U (6) CONNECTOR 58028-01-000 (2)	LAMP ASM-FLUORESCENT 18" 2 BULB W/O SWITCH WARM WHITE BULB THIN-LITE CUTOUT-122 X 480
FLUN6	LAMP 153464-04-CHT SCREW G11-08-12U (6) CONNECTOR 58028-01-000 (2)	LAMP ASM-FLUORESCENT 12" 2 BULB W/O SWITCH WARM WHITE BULB THIN-LITE CUTOUT-122 X 336

LEGEND

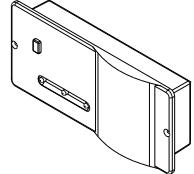


FIRST USED	96 MH'S
DO NOT SCALE DRAWING	
TITLE: PART LISTING-ELECTRICAL	
SHEET 4	PART NO 121339 REV

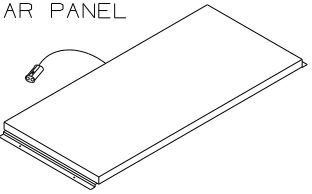
ANTENNA ASM-PACKAGE

NO	PART NUMBER	DESCRIPTION
ANT-1	ANTENNA 76319-24-000 HARDWARE-INTERIOR 76319-25-000 BUMPER 69726-02-000 (2) CLIP 80734-02-000	ROOF MOUNT TV ANTENNA ASM 25.5" MAST  600 MAX COAX LENGTH
ANT-2	ANTENNA 76319-23-000 HARDWARE-INTERIOR 76319-25-000 BUMPER 69726-02-000 (2) ADAPTER SUPPLIED W/ANTENNA	ROOF MOUNT TV ANTENNA ASM 44.5" MAST  600 MAX COAX LENGTH
ANT-2W	ANTENNA 76319-23-000 HARDWARE-INTERIOR 76319-25-000 BUMPER 69726-02-000 (2) ADAPTER SUPPLIED W/ANTENNA WEDGE 76319-26-000	ROOF MOUNT TV ANTENNA ASM 44.5" MAST  600 MAX COAX LENGTH
ANTA-1	ANTENNA 158270-01-CHT BUMPER 69726-02-000 (2) ADAPTER SUPPLIED W/ANTENNA	ROOF MOUNT TV ANTENNA ASM AUTOMATIC  600 MAX COAX LENGTH
ANT-3	ANTENNA-TV ROOF MNT,ROUND 167632-01-CHT PLATE-ROOF, CABLE ENTRY 146488-01-000 SCREW G67-10-129 (10) CABLE ASM-COAX 87105-01-006 ADAPTER 82134-01-000	ROOF MOUNT OMNI- DIRECTIONAL ANTENNA MOUNTING SCREWS SUPPLIED WITH ANTENNA 

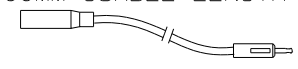
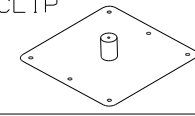

SENSORS

NO	PART NUMBER	DESCRIPTION
LPGD	LP GAS DETECTOR 150138-01-CHT SCREW G68-06-10U (2)	DETECTOR-LP GAS 

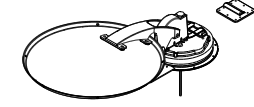
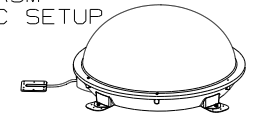
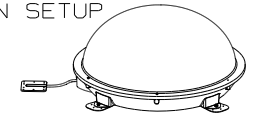
PANELS

NO	PART NUMBER	DESCRIPTION
SOLAR	PANEL-SOLAR 10 WATT 151647-01-000 SCREW G11-08-12U (4)	SOLAR PANEL 

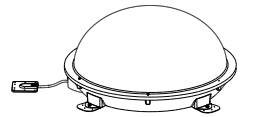
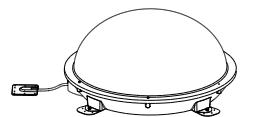
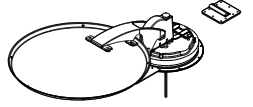
ANTENNA ASM-PACKAGE

ANTEXT-1	CABLE ASM-EXTENS 77069-02-000	RADIO ANTENNA CABLE EXTENSION 2400MM USABLE LENGTH 
ANTKIT-1	ADAPTER-PLATE 76319-06-000 SCREW G11-08-08T (6) CLIP-WIRE 80734-02-000 SCREW G11-08-08T	PLATE ASM-ADAPTERS CABLE ROOF MOUNTING PLATE W/ CABLE-CABLE ADAPTER, FITTINGS, AND CABLE RETAINING CLIP 
ANT-R	ANTENNA-RADIO 90944-01-000 EXTENDER-SHAFT ANTENNA 109889-04-000 BRACKET-ANTENNA GROUND 147741-01-CHT	ROOF MOUNT RADIO ANTENNA 
ANTEXT-2	CABLE ASM-EXTENS 77069-03-000	RADIO ANTENNA CABLE EXTENSION 6600 MM USABLE LENGTH

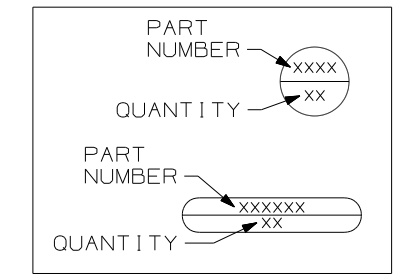
SATELLITE DISH INSTL

NO	PART NUMBER	DESCRIPTION
DM-1	SATELLITE DISH 137135-02-000 SCREW G67-10-12B (8) PLATE & BRACKET (SUPPLIED) SCREW G67-10-12B (10)	SATELLITE DISH ANTENNA ASM MANUAL SETUP 
DA-1	SATELLITE DISH 163598-01-CHT PLATE-ROOF,CABLE ENTRY QUAD 146488-03-000 SCREW G67-10-12U (8) (FOR PLATE) SCREW G39-10-12U (12) (FOR SATELLITE DISH)	SATELLITE DISH ANTENNA ASM AUTOMATIC SETUP 
D1-1	SATELLITE DISH 154474-04-CHT SCREW G39-10-12B (12) PLATE 146488-01-000 SCREW G67-10-12B (10)	SATELLITE DISH ANTENNA ASM IN MOTION SETUP 

SATELLITE DISH INSTL

NO	PART NUMBER	DESCRIPTION
DA-2	SATELLITE DISH 163598-01-CHT PLATE-ROOF,CABLE ENTRY QUAD 146488-03-000 CABLE ASM-COAX 9" 163598-04-000 ADAPTOR-CABLE TO CABLE 82134-01-000 SCREW G67-10-12U (8) (FOR PLATE) SCREW G39-10-12U (12) (FOR SATELLITE DISH)	SATELLITE DISH ANTENNA ASM AUTOMATIC SETUP 
D1-2	SATELLITE DISH 154474-04-CHT PLATE-ROOF,CABLE ENTRY QUAD 146488-03-000 CABLE ASM-COAX 9" 163598-04-000 ADAPTOR-CABLE TO CABLE 82134-01-000 SCREW G67-10-12U (8) (FOR PLATE) SCREW G39-10-12U (12) (FOR SATELLITE DISH)	SATELLITE DISH ANTENNA ASM AUTOMATIC SETUP 
DM-2	SATELLITE DISH 137135-05-000 PLATE-ROOF,ENTRY (SUPPLIED WITH SATELLITE DISH) SCREW G67-10-12U (8) (FOR ROOF PLATE) SCREW G67-10-12U (10) (FOR SATELLITE DISH)	SATELLITE DISH ANTENNA ASM MANUAL SETUP 

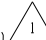
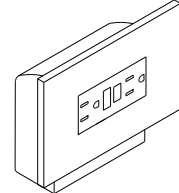

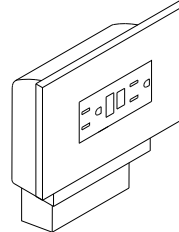
LEGEND

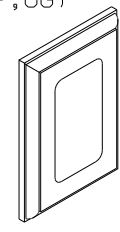
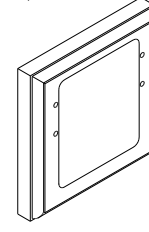
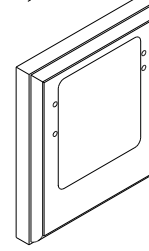
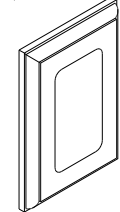
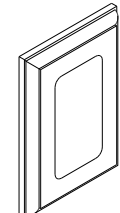


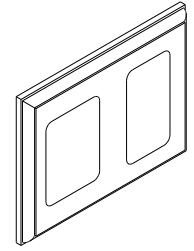
FIRST USED	96 MH'S
TITLE	DO NOT SCALE DRAWING
TITLE	PART LISTING-ELECTRICAL
SHEET 5	PART NO 121339 REV

RECEPTACLE PACKAGE - GF I


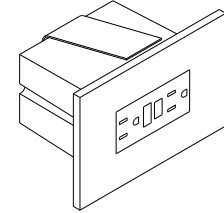
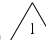
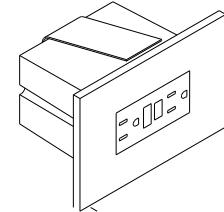
SPACERS

NO	PART NUMBER	DESCRIPTION
GF1 US	RECEPTACLE 163319-01-CHT BOX 91910-02-000 WIRE-BONDING 133678-03-000 SCREW G13-07-12B (4) CONNECTOR 8313-01-000 TUBING-VINYL 8041-02-000 (300MM) 	GF1 RECEPTACLE WITH COVER AND BOX FOR US APPLICATION 
GF1 CAN	RECEPTACLE 163319-01-CHT BOX 91910-01-000 WIRE-BONDING 133678-03-000 SCREW G13-07-12B (4) CONNECTOR 8313-01-000 TUBING-VINYL 8041-02-000 (300MM) 	GF1 RECEPTACLE WITH COVER AND BOX FOR CANADA APPLICATION 

NO	PART NUMBER	DESCRIPTION
SP-01	SPACER 102568-01-XXX	STANDARD 110V RECEPTACLE SPACER (WOOD,VYL RAP,OG) 
SP-02	SPACER 102568-02-XXX	WOOD SPACER FOR CEILING MOUNTED A/C PREP BOX (US) (WOOD,VYL RAP,OG) 
SP-03	SPACER 102568-03-XXX	WOOD SPACER FOR CEILING MOUNTED A/C PREP BOX (CANADA) (WOOD,VYL RAP,OG) 
SP-04	SPACER 133713-01-CHT	STANDARD 110V RECEPTACLE SPACER (WOOD,VYL RAP,BEV) 
SP-05	SPACER 133713-20-XXX	STANDARD 110V RECEPTACLE SPACER (WOOD,BEV) 

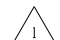
SP-21	SPACER 126052-01-XXX	WOOD SPACER FOR 1 - 110V RECEPTACLE AND 1 - REAR TV (12V) JACK (WOOD,BEV) 
-------	-------------------------	---

RECEPTACLE PACKAGE - GF I

NO	PART NUMBER	DESCRIPTION
GF1-L US	RECEPTACLE 163319-01-CHT BOX 133070-01-000 WIRE-BONDING 133678-03-000 SCREW G13-07-12B (4) CONNECTOR 8313-01-000 TUBING-VINYL 8041-02-000 (300MM) 	GF1 RECEPTACLE WITH COVER AND BOX FOR US APPLICATION 
GF1-L CAN	RECEPTACLE 163319-01-CHT BOX 133070-02-000 WIRE-BONDING 133678-03-000 SCREW G13-07-12B (4) CONNECTOR 8313-01-000 TUBING-VINYL 8041-02-000 (300MM) 	GF1 RECEPTACLE WITH COVER AND BOX FOR CANADA APPLICATION 

LEGEND

MISC.	SPACER
PART NUMBER → XXXX LISTING → XXX	XXXX → PART NUMBER

 APPLY TUBING TO BARE GROUND WIRES.
NOTES:

FIRST USED	96 MH'S
TITLE	DO NOT SCALE DRAWING
	PART LISTING-ELECTRICAL
SHEET 6	PART NO 121339 REV

PREP - A/C, RECESSED (W/OUT FACTORY A/C)

NO	PART NUMBER	DESCRIPTION
PREP A/C-US	BOX 91910-02-000 COVER 84099-02-CHT LABEL 91243-01-000 SCREW G13-07-12B (4) CONNECTOR 8313-01-000 (3)	BOX AND EQUIPMENT USED FOR A/C PREP (W/OUT FACTORY A/C). US APPLICATION (RECESSED IN ROOF)
PREP A/C-CAN	BOX 91910-01-000 COVER 84099-02-CHT LABEL 91243-01-000 SCREW G13-07-12B (4) CONNECTOR 8313-01-000 (3)	BOX AND EQUIPMENT USED FOR A/C PREP (W/OUT FACTORY A/C). CANADA APPLICATION (RECESSED IN ROOF)

CONNECTION BOX, GENERATOR SERVICE FEED

NO	PART NUMBER	DESCRIPTION
J-GEN 30	BOX 8289-01-000 COVER 8294-01-000 SCREW G67-10-10B (2)	BOX AND EQUIPMENT USED FOR CONNECTING THE GENERATOR LEADS TO THE SERVICE ENTRANCE WIRES (US & CA APPLICATION)
J-GEN 30-US	WIRE ASM-GROUND 133678-02-000 WIRE NUT-GREY 8314-01-000 (3) SCREW-GRND 103291-01-000	
J-GEN 30-CA	CONNECTOR-WIRE 8356-01-000	

PREP - A/C, SURFACE (W/OUT FACTORY A/C)

NO	PART NUMBER	DESCRIPTION
PREP SURF	BOX 93603-01-000 COVER 53337-01-000 LABEL 91243-01-000 SCREW-GRND 103291-01-000 WIRE-BONDING 8019-01-000 SCREW G11-08-12B (2) TERMINAL 8328-01-000 CONNECTOR 8313-01-000 (2) CONNECTOR 8311-01-000	SURFACE MOUNT, US AND CANADA, BOX AND EQUIPMENT FOR A/C PREP (W/OUT FACTORY A/C). TYPICALLY LOCATED ON OVERHEAD CABINET INNER WALL OR ON CEILING.

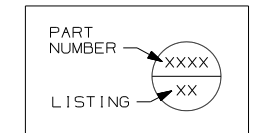
CONNECTION BOX-POWER CORD

NO	PART NUMBER	DESCRIPTION
J-PC 30	BOX 8289-01-000 COVER 8294-01-000 SCREW G67-10-10B (2)	CONNECTION BOX IN POWER CORD COMPT FOR POWER CORD (US & CA APPLICATION)
J-PC 30-US	WIRE ASM-GROUND 133678-02-000 CONNECTOR 8314-01-000 (3) SCREW-GRND 103291-01-000	
J-PC 30-CA	CONNECTOR 8356-02-000 CONNECTOR (PC) 8355-01-000	

CONNECTION BOX-GENERATOR RECEPTACLE

NO	PART NUMBER	DESCRIPTION
J-RCP 30	BOX 8289-01-000 RECEPTACLE 24924-02-000 COVER 69238-01-000 SCREW G67-10-10B (2)	CONNECTION BOX IN POWER CORD COMPT FOR THE GENERATOR RECEPTACLE (US & CA APPLICATION)
J-RCP 30-US	WIRE ASM-GROUND 133678-02-000 133678-04-000 SCREW-GRND 103291-01-000	
J-RCP 30-CA	CONNECTOR 8314-01-000 TUBING-VINYL 8041-02-000 (1) (150MM)	

LEGEND



FIRST USED	96 MH'S
TITLE	DO NOT SCALE DRAWING
	PART LISTING-ELECTRICAL
SHEET 7	PART NO 121339 REV

NOTES:
 APPLY TUBING TO BARE GROUND WIRES.

WIRE IDENTIFICATION CHART

CODE/COLOR	FROM:	TO:	CODE/COLOR	FROM:	TO:
A 14 YEL	GALLEY CEILING LAMP SWITCH	GALLEY CEILING LAMP	X 14 YEL	- CHASSIS BRAKE LAMP CIRCUIT	- CENTER MOUNT BRAKE LAMP
B 12 YEL	OVERCURRENT PROTECTION (30A BREAKER TYPICAL)	POWER PASSENGER SEAT ("BUDDY SEAT")	Y 16 YEL	VOLUME CONTROL	RADIO/TV SPEAKER
C 12 WHT	POWER PASSENGER SEAT	GROUND	Z 6 BLK	OVERCURRENT PROTECTION (45 OR 55A BREAKER TYP)	COACH 12V PANEL
D 14 YEL	SHOWER OVHD LAMP SWITCH SEE WIRE PF, START OF 97	SHOWER OVHD LAMP	AA 16 WHT	SERVICE ENGINE SOON LAMP	VEHICLE SERVICE ENGINE SOON LAMP CIRCUIT
E 095038-01-	PHONE INPUT JACK	REAR PHONE JACK	AB 16 WHT	WATER TANK LEVEL SENSORS	GROUND
F 095038-01-	PHONE INPUT JACK	EXTERIOR PHONE JACK	AC 16 WHT	MAIN HOLDING TANK SENSORS (BLACK WATER)	GROUND
G 12/ 10 YEL	OVERCURRENT PROTECTION (30A BREAKER TYPICAL)	HIGH SPEED HEATER FAN (USE 10 IF OVER 6' RUN)	AD 16 WHT	AUXILIARY HOLDING TANK #1 (GRAY WATER)	GROUND
H 095038-01-	PHONE INPUT JACK	FRONT PHONE JACK	AE 16 WHT	AUXILIARY HOLDING TANK #2 (GRAY WATER)	GROUND
J 6 BLK	OVERCURRENT PROTECTION (45 OR 55A BREAKER TYP)	COACH 12V PANEL/ CONVERTER BATTERY CHARGE	AF 12 YEL	WATER PUMP SWITCH #1	MONITOR PANEL WATER PUMP SWITCH
K 6 BLK	OVERCURRENT PROTECTION (45 OR 55A BREAKER TYP)	COACH 12V PANEL	AG 12 YEL	WATER PUMP SWITCH #1	MONITOR PANEL WATER PUMP SWITCH
L 6 GRN	CONVERTER 45 OR 55 AMP	GROUND	AH 14 YEL	OVERCURRENT PROTECTION (10A FUSE TYPICAL)	BRAKE LAMP SWITCH WARNING LAMP (IGNITION RUN/START FED)
M 6 BLK	OVERCURRENT PROTECTION (45 OR 50A BREAKER)	CONVERTER BATTERY CHARGE	AJ 12 WHT	CHASSIS GROUND	BODY GROUND
N 10 WHT	REFRIGERATOR	GROUND	AK 12 WHT	CHASSIS GROUND	BODY GROUND
P 10YEL(BLK)	OVERCURRENT PROTECTION (20A FUSE TYPICAL)	REFRIGERATOR (3 WAY)	AL 12 YEL	HEATER CONTROL (LOW SPEED)	BLOWER MOTOR (LOW SPEED)
R 8 GRN	REFRIGERATOR CHASSIS	GROUND	AM 12YEL(WHT)	HEATER CONTROL (MEDIUM/LOW SPEED)	BLOWER MOTOR (MEDIUM/LOW SPEED)
S 8 OR 6 GRN	GROUND BAR (LEFT SIDE)	CHASSIS GROUND	AN 12 YEL	HEATER CONTROL (MEDIUM/HIGH SPEED)	BLOWER MOTOR (MEDIUM/HIGH SPEED)
T 8 OR 6 GRN	GROUND BAR (RIGHT SIDE)	CHASSIS GROUND	AP 14 YEL	IGNITION SWITCH ACCESSORY FEED	OVERCURRENT PROTECTION (15A FUSE TYPICAL)
U 6 GRN	CONVERTER CHASSIS	GROUND	AR 14 WHT	HORN, FOG LAMPS	GROUND
W 8 GRN	- GROUND STUD	- GROUND STUD	AS 18 WHT	DASH RADIO	RIGHT FRONT SPEAKER (NEGATIVE)

WIRE IDENTIFICATION CHART

CODE/COLOR	FROM:	TO:	CODE/COLOR	FROM:	TO:
AT 18 WHT	DASH RADIO	LEFT FRONT SPEAKER (NEGATIVE)	BR 14 YEL	POWER MIRROR (RIGHT SIDE)	POWER MIRROR CONTROL SWITCH
AU 16 YEL	OVERCURRENT PROTECTION (15A BREAKER TYPICAL)	FRONT CARGO LAMP SWITCH (IGNITION ACCESSORY FED)	BS 14 YEL	POWER MIRROR HEAT SWITCH	POWER MIRRORS
AW 16 YEL	FRONT CARGO LAMP SWITCH	REAR CARGO LAMP SWITCH	BT 14 YEL	POWER MIRROR (LEFT SIDE)	POWER MIRROR CONTROL SWITCH
AX 16 YEL	FRONT CARGO LAMP SWITCH	REAR CARGO LAMP SWITCH	BU 14 YEL	RUN ONLY POWER	POWER MIRROR HEAT/ CONTROL SWITCHES
AY 16 YEL	REAR CARGO LAMP SWITCH	CARGO LAMPS	BW 12 YEL	IGNITION SWITCH	ACCESSORY CIRCUIT FEED
BA 14 WHT	WINDSHIELD WIPER MOTOR	GROUND	BX 12YEL(ORN)	IGNITION SWITCH RUN ONLY SOURCE	GENERAL(TURN, BACK UP,DASH IGNITION CIRCUIT,ETC)
BB 16 YEL	OVERCURRENT PROTECTION (6A BREAKER TYPICAL)	INSTRUMENT PANEL GAUGES (IGNITION ACCESSORY FED)	BY 12YEL/8BLK	OVERCURRENT PROTECTION (16GA FUSELINK)(8GA PASSTHRU)	CHASSIS BATTERY SOURCE(AUTO AC BLOWER,POWER DRIVER SEAT,ETC)
BC 14 WHT	INDICATOR LAMPS	GROUND	CA 12 YEL	OVERCURRENT PROTECTION (16GA FUSELINK TYPICAL)	CHASSIS BATTERY SOURCE
BD 14 YEL	OVERCURRENT PROTECTION (10A FUSE TYPICAL)	BRAKE LAMP SWITCH	CB 12 YEL	IGNITION SWITCH START SOURCE	START CIRCUIT SOURCE
BE 12 WHT	BLOWER MOTOR	GROUND	CC 16 YEL	ALTERNATOR	ALTERNATOR WARNING LAMP
BF 14 WHT	WASHER BOTTLE PUMP/HORN	GROUND	CD 16 YEL	OIL PRESSURE WARNING SENDER	OIL PRESSURE WARNING LAMP
BG 14 YEL	FUEL SENDER	FUEL GAUGE	CE 16 YEL	WATER TEMPERATURE WARNING SENDER	WATER TEMPERATURE WARNING LAMP
BH 14 YEL	RUN ONLY POWER RELAY	ENGINE WIRING	CF 14 YEL	REAR TV JACK	POWER FEED SWITCH
BJ 16 YEL	OVERCURRENT PROTECTION (10A FUSE TYPICAL)	ENGINE WIRING (IGNITION RUN/START FED)	CG 14 YEL	CLUTCH/NEUTRAL SWITCH	START ISOLATION RELAY
BK 14 YEL	OVERCURRENT PROTECTION (10A FUSE TYPICAL)	HORN RELAY FEED	CH 14 YEL	START RELAY	ENGINE WIRING
BL 16 WHT	CIGAR LIGHTER	GROUND	CJ 14 YEL	WINDSHIELD WIPER/WASHER CONTROL SWITCH	WINDSHIELD WASHER PUMP
BM 16 YEL	CHASSIS BATTERY POWER	CIGAR LIGHTER	CK 16 YEL	TELEVISION	SPEAKER (POSITIVE)
BN 16 YEL	ACCESSORY POWER	SPOTLAMP	CL 16 WHT	TELEVISION	SPEAKER (NEGATIVE)
BP 14 WHT	POWER MIRROR	GROUND	CM 10 YEL	OVERCURRENT PROTECTION (15A BREAKER TYPICAL)	INVERTER FEED

WIRE IDENTIFICATION CHART

CODE/COLOR	FROM:	TO:	CODE/COLOR	FROM:	TO:
CN 10 WHT	INVERTER	GROUND	DL 16 YEL	TV/RADIO SPEAKER SWITCHING RELAY OUTPUT	RIGHT REAR SPEAKER POSITIVE
CP 12 WHT	INVERTER CHASSIS	GROUND	DM 16 WHT	TV/RADIO SPEAKER SWITCHING RELAY OUTPUT	RIGHT REAR SPEAKER NEGATIVE
CR 16 WHT	VEHICLE CHECK ENGINE LAMP CIRCUIT	CHECK ENGINE LAMP	DN 10 YEL	BATTERY DISCONNECT RELAY	CIRCUIT BREAKER SLIDEOUT ROOM CIRCUIT BRKR
CS 16 WHT	REMOTE THERMOSTAT (RC TERM/ORG EXPORT AIR)	GROUND	DP 14 YEL	TV/RADIO SPEAKER FEED SELECT SWITCH	TV/RADIO SPEAKER SWITCHING RELAY COIL INPUT OR AMPLIFIER
CT 16 YEL	DAYTIME RUNNING LAMP MODULE OUTPUT(PIN 30)	LOW BEAM HEADLAMP CIRCUIT	DR 16 YEL	HWH WIRING OR KWIKEE FRONT SLIDE MODULE	SLIDEOUT SWITCH (ROOM ONE EXTEND)
CU 16 YEL	DAYTIME RUNNING LAMP MODULE ENABLE(PIN 85)	RUN/START CIRCUIT	DS 16 WHT	CONTROL MODULE (FRONT SLIDE)(GROUND)	SLIDEOUT SWITCH (FRONT SLIDEOUT)
CW 14 YEL	DAYTIME RUNNING LAMP MODULE POWER(PIN 87A)	CHASSIS BATTERY POWER	DT 16 YEL	SLIDEOUT ROOM RELAY (PIN 30)	SLIDEOUT ROOM CONTROL SWITCH
CX 16 WHT	DAYTIME RUNNING LAMP MODULE GROUND(PIN 87)	GROUND	DU 16 YEL	HWH WIRING OR KWIKEE FRONT SLIDE MODULE	SLIDEOUT SWITCH (ROOM ONE RETRACT)
CY 16 YEL	DAYTIME RUNNING LAMP MODULE HIGH BEAM DISABLE(PIN 86)	HIGH BEAM HEADLAMP CIRCUIT	DW 16 WHT	SLIDEOUT ROOM SWITCH (G) (SWITCHED GROUND TO PUMP)	HWH WIRING (SWITCHED GROUND TO PUMP)
DA 12 YEL	SHOWER SUMP SYSTEM PUMP SWITCH	SHOWER SUMP SYSTEM PUMP	DX 16 WHT	HWH WIRING (G) (GROUND)	SLIDEOUT ROOM SWITCH (GROUND)
DB 12 WHT	SHOWER SUMP SYSTEM PUMP	GROUND	DY 16 WHT	HWH WIRING (G) (JACK SENSE; SWITCHED GROUND)	SLIDEOUT ROOM RELAY (JACK SENSE; SWITCHED GROUND)
DC 16 YEL	REAR ROOF AIR CONDITIONER EXHAUST CIRCUIT	THERMOSTAT	EA 16 YEL	HWH WIRING (G) (ACCESSORY POWER)	SLIDEOUT ROOM RELAY (ACCESSORY POWER)
DD 16 YEL	REAR ROOF AIR CONDITIONER COOL CIRCUIT	THERMOSTAT (Y TERM-EXPORT AIR/YEL)	EB 16 YEL	SLIDEOUT ROOM RELAY (G) (SWITCHED ACCESSORY POWER)	FRT/RR SLIDEOUT ROOM SWITCH (SWITCHED EXTEND/RETRACT PWR)
DE 16 YEL	REAR ROOF AIR CONDITIONER HIGH SPEED FAN CIRCUIT	THERMOSTAT (H TERM-EXPORT AIR/BLU)	EC 10 YEL	CHASSIS BATTERY POWER SOURCE (BATTERY MODE SOLENOID POST)	THRU FUSE TO AMP SOURCE SELECT RELAY(PIN 87)(OPTION 21V,95 Q)
DF 16 YEL	REAR ROOF AIR CONDITIONER LOW SPEED FAN CIRCUIT	THERMOSTAT (G TERM-EXPORT AIR/RED)	ED 10 YEL	COACH BATTERY POWER SOURCE (BATTERY MODE SOLENOID POST)	THRU FUSE TO AMP SOURCE SELECT RELAY(PIN 87A)(OPTION 21V,95Q)
DG 12YEL(GRY)	IGNITION SWITCH	ACCESSORY/RUN FEED	EE 16 YEL	AIR RIDE SUSPENSION LEFT DOWN SWITCH POSITION	AIR RIDE SUSPENSION LEFT HEIGHT CONTROL BOX
DH 14 YEL	EMERGENCY SHUTDOWN GAUGE	FUEL SOLENOID (DIESEL ENGINE)	EF 16 YEL	AIR RIDE SUSPENSION LEFT UP SWITCH POSITION	AIR RIDE SUSPENSION LEFT HEIGHT CONTROL BOX
DJ 16 YEL	TV/RADIO SPEAKER SWITCHING RELAY OUTPUT	LEFT REAR SPEAKER POSITIVE	EG 16 WHT	AIR RIDE SUSPENSION WIRE ASM GROUND	AIR RIDE SUSPENSION CONTROL LAMP GROUNDS
DK 16 WHT	TV/RADIO SPEAKER SWITCHING RELAY OUTPUT	LEFT REAR SPEAKER NEGATIVE	EH 16 YEL	AIR RIDE SUSPENSION RIGHT DOWN SWITCH POSITION	AIR RIDE SUSPENSION RIGHT HEIGHT CONTROL BOX

WIRE IDENTIFICATION CHART

CODE/COLOR	FROM:	TO:	CODE/COLOR	FROM:	TO:
EJ 16 YEL	AIR RIDE SUSPENSION RIGHT UP SWITCH POSITION	AIR RIDE SUSPENSION RIGHT HEIGHT CONTROL BOX	FJ 12 YEL	WATER PUMP SWITCH #2 (THREE SWITCH SYSTEM)	WATER PUMP SWITCH #1 (THREE SWITCH SYSTEM)
EK 16 YEL	AIR RIDE SUSPENSION AUTO MODE SWITCH POSITION	AIR RIDE SUSPENSION HEIGHT CONTROL BOXES	FK 12 YEL	WATER PUMP SWITCH #2 (THREE SWITCH SYSTEM)	WATER PUMP SWITCH #1 (THREE SWITCH SYSTEM)
EL 16 YEL	RUN ONLY POWER	AIR RIDE SUSPENSION AUTO/MANUAL MODE SWITCH	FL 14 YEL	SECOND PORCH LAMP SWITCH	SECOND PORCH LAMP
EM 16 YEL	AIR RIDE SUSPENSION COMPRESSOR	COMPRESSOR ON WARNING LAMP	FM 14 WHT	SOLENOID MOUNTING BOLT	GROUND
EN 16 YEL	AIR RIDE SUSPENSION MANUAL MODE SWITCH POSITION	LEVEL CONTROL SWITCHES AND INDICATOR LAMP	FN 16 YEL	SOURCE SELECTOR SWITCH (DELUXE SOUND SYSTEM,95 LUXOR)	AMP & EQUALIZER REMOTE TRIGGER (DELUXE SOUND SYSTEM,95 LUXOR)
EP 14 YEL	OVERCURRENT PROTECTION (15A BREAKER TYPICAL)	SPOTLAMP	FP 16 YEL	EXHAUST BRAKE SWITCH (DIESEL PUSHER CHASSIS)	CHASSIS EXHAUST BRAKE HARNESS & BRAKE ON DASH INDICATOR LAMP
ER 16 YEL	OVERCURRENT PROTECTION (6A BREAKER TYPICAL)	ELECTRIC STEP KILL SWITCH	FR 14 YEL	FORD RUN/ACCESSORY IGNITON CIRCUIT(WHT/PUR,10A FUSED)	DOCKING LAMPS, RELAY TRIGGER, REAR MONITOR CAMERA FEED
ES 16 YEL	ELECTRIC STEP KILL SWITCH	ELECTRIC STEP	FS 14 YEL	DOCKING LAMPS RELAY(PIN 87)	DOCKING LAMPS
ET 16 YEL	OVERCURRENT PROTECTION (6A BREAKER TYPICAL)	REFRIGERATOR (2 WAY)	FT 14 WHT	DOCKING LAMPS	GROUND
EU 16 WHT	REFRIGERATOR (2 WAY)	GROUND	FU 14 YEL	AUTOMOTIVE AIR WIRING	FORD A/C COMPRESSOR CLUTCH SWITCH CIRCUIT
EW 14 YEL	FUEL HEATER SWITCH	FUEL HEATER (DIESEL ENGINE)	FW 14 YEL	DOCKING LAMPS SWITCH	DOCKING LAMPS RELAY(PIN 30)
EX 14 YEL	TELEVISION POWER SWITCH	TELEVISION WALL PLATE	FX 12 YEL	OVERCURRENT PROTECTION (30A BRKR OR FUSE)	POWER DRIVER SEAT (I.E.,6 WAY)
EY 12YELLTBLU	OVERCURRENT PROTECTION (16GA FUSELINK TYPICAL)	IGNITION SWITCH FEED #2	FY 12 WHT	POWER DRIVER SEAT (I.E.,6 WAY)	GROUND
FA 14 YEL	DRIVER'S DOOR PASSENGER SIDE POWER WINDOW SWITCH(DOWN,PIN2)	PASSENGER'S POWER WINDOW SWITCH(PIN 2)	GA 14 YEL	WATER SYSTEM WINTERIZATION SWITCH	WINTERIZATION VALVE
FB 14 YEL	DRIVER'S DOOR PASSENGER SIDE POWER WINDOW SWITCH(UP,PIN 4)	PASSENGER'S POWER WINDOW SWITCH(PIN 4)	GB 14 YEL	WATER HEATER BYPASS SWITCH	WATER HEATER BYPASS VALVE
FC 14 YEL	PASSENGER'S DOOR POWER WINDOW SWITCH(DOWN,PIN 1)	PASSENGER'S DOOR POWER WINDOW MOTOR(DOWN)	GC 16 YEL	SLIDEOUT ROOM SPDT SWITCH (M) (SWITCHED WIRE)	HWH WIRING (SWITCHED WIRE)
FD 14 YEL	PASSENGER'S DOOR POWER WINDOW SWITCH(UP,PIN 5)	PASSENGER'S DOOR POWER WINDOW MOTOR(UP)	GD 16 YEL	WIPER CONTROL MODULE	WIPER MOTOR (S TERMINAL)
FG 10 YEL	AMPLIFIER POWER SOURCE SELECT RELAY (PIN 30)	AMPLIFIER POWER FEED (DELUXE SOUND SYSTEM,95 LUXOR)	GE 16 YEL	SWITCHED DOME LAMP FEED	DOME LAMP
FH 10 WHT	AMPLIFIER (DELUXE SOUND SYSTEM,95 LUXOR)	GROUND	GF 16 WHT	COMMON REAR CHANNEL SPEAKER RETURN	REAR SPEAKERS

WIRE IDENTIFICATION CHART

CODE/COLOR	FROM:	TO:	CODE/COLOR	FROM:	TO:
GG 16 YEL	RADIO REMOTE TRIGGER (DELUXE SOUND OPTION)	SOURCE SELECTOR SWITCH (LUXOR)	HE 14 WHT	SOFA SLIDE MOTOR NEGATIVE (94 VANS)	SOFA MONOPLEX CONTROLLER
GH 14 WHT	GLOW PLUG WAIT LAMP (DIESEL ENGINE)	ENGINE SENDER	HF 14 YEL	SOFA RECLINE MOTOR POSITIVE (94 VANS)	SOFA MONOPLEX CONTROLLER
GJ 16 YEL	COACH BATTERY POWER (UPSTREAM OF DISCONNECT)	LP DETECTOR AND/OR SOLAR PANEL WIRING OVERCURRENT PROTECTION	HG 14 WHT	SOFA RECLINE MOTOR NEGATIVE (94 VANS)	SOFA MONOPLEX CONTROLLER
GK 14 YEL	AIR HORN SWITCH	CHASSIS HORN	HH 16 YEL	SOFA MONOPLEX SWITCH (94 VANS)	SOFA MONOPLEX CONTROLLER
GL 16 WHT	WATER/HOLDING TANKS LEVEL SENSORS	GROUND	HJ 16 WHT	SOFA MONOPLEX SWITCH (94 VANS)	GROUND
GM 16 YEL	JET AIR RIDE SUSPENSION PRESSURE SENSORS	CHECK REAR AIR SUSPENSION DASH WARNING LAMP	HK 14 WHT	SOFA MONOPLEX CONTROLLER (94 VANS)	GROUND
GN 16 YEL	REAR TV SPEAKER OUTPUT (POSITIVE)	REAR TV SPEAKER (POSITIVE)	HL 14 YEL	FLOOD LAMP SWITCH (94 VANS)	FLOOD LAMP
GP 16 WHT	REAR TV SPEAKER OUTPUT (NEGATIVE)	REAR TV SPEAKER (NEGATIVE)	HM 16 YEL	REAR TV SPEAKER OUTPUT (POSITIVE)	REAR TV SPEAKER (POSITIVE)
GR 14 YEL	THERMOSTATICALLY CONTROLLED ROOF VENT (SEND)	THERMOSTAT (RETURN)	HN 16 WHT	REAR TV SPEAKER OUTPUT (NEGATIVE)	REAR TV SPEAKER (NEGATIVE)
GS 14 YEL	THERMOSTATICALLY CONTROLLED ROOF VENT (RETURN)	THERMOSTAT (RETURN)	HP 16 YEL	OVERCURRENT PROTECTION (94 VANS)	REAR AC
GT 16 YEL	RADIO POWER SWITCH (MEMORY FEED)	RADIO (MEMORY FEED)	HR 14 YEL	SWITCH (94 1200 MODEL VAN)	12VOLT RECEPTACLE
GU 16 YEL	DEFOG MODULE OUTPUT	DEFOG RELAY, INDICATOR LAMP	HS 16 YEL	SOLAR PANEL (1HS INDICATOR TO BATTERY)	COACH BATTERY THRU OVERCURRENT PROTECTION
GW 16 WHT	DEFOG SWITCH ON/OFF	DEFOG MODULE ON/OFF	HT 16 WHT	SOLAR PANEL (1HT INDICATOR TO GROUND)	GROUND
GX 16/12 WHT	STEP COVER SWITCH (REF AAA-16/KA-12)	GROUND	HU 16 YEL	GENERATOR SWITCH (LED)	GENERATOR (POSITIVE SIGNAL)
GY 12 YEL	DEFOG RELAY	DEFOG UNIT	HW 16 YEL	LICENSE PLATE LAMP FEED	LICENSE PLATE LAMP
HA 14 YEL	READING LAMPS SWITCH (93 VANS)	READING LAMPS	HX 16 YEL	CHASSIS CLEARANCE LAMP CRT #2	CLEARANCE/MARKER LAMPS
HB 14 YEL	"MOOD" LAMPS SWITCH (93 VANS)	"MOOD" LAMPS	HY 12 WHT	DEFOG UNIT	GROUND
HC 14 YEL	12V POWER SOURCE (93 VANS)	OVERCURRENT PROTECTION (15A FUSE TYPICAL)	JA 14 YEL	OVERCURRENT PROTECTION (15A FUSE/BREAKER TYPICAL)	WATER PUMP, MONITOR PANEL, ETC ("CLEAN CIRCUIT", REF JP)
HD 14 YEL	SOFA SLIDE MOTOR POSITIVE (94 VANS)	SOFA MONOPLEX CONTROLLER	JB 14 YEL	OVERCURRENT PROTECTION (15A FUSE/BREAKER TYPICAL)	FURNACE, ROOF VENT, ETC (REF JM)

WIRE IDENTIFICATION CHART

CODE/COLOR	FROM:	TO:	CODE/COLOR	FROM:	TO:
JC 14 YEL	OVERCURRENT PROTECTION (15A FUSE/BREAKER TYPICAL)	COACH LIGHTING, ETC CIRCUIT #1 (REF NC)	KA 12 YEL	OVERCURRENT PROTECTION (25A BREAKER TYPICAL)	ELECTRIC STEP BATTERY POWER
JD 14 YEL	OVERCURRENT PROTECTION (15A FUSE/BREAKER TYPICAL)	COACH LIGHTING, ETC CIRCUIT #2 (REF ND)	KB 10 YEL	OVERCURRENT PROTECTION (25A BREAKER TYPICAL)	ELECTRIC STEP KILL SWITCH (OLD STEP WIRING STYLE)
JE 14 YEL	OVERCURRENT PROTECTION (15A FUSE/BREAKER TYPICAL)	COACH LIGHTING, ETC CIRCUIT #3 (REF NE)	KC 10 YEL	ELECTRIC STEP KILL SWITCH (OLD STEP WIRING STYLE)	ELECTRIC STEP
JF 14 YEL	OVERCURRENT PROTECTION (15A FUSE/BREAKER TYPICAL)	COACH LIGHTING, ETC CIRCUIT #4 (REF NF)	KD 18 WHT	ELECTRIC STEP DOOR JAMB SWITCH	ELECTRIC STEP
JG 14 YEL	OVERCURRENT PROTECTION (15A FUSE/BREAKER TYPICAL)	COACH LIGHTING, ETC(ALT CLEAN) CIRCUIT #5 (REF JN)	KE 14 YEL	RUN ONLY POWER SOURCE	GENERAL PURPOSE(RELAY TRIGGER, REAR AUTO HTR,DRL,MONITOR,ETC)
JH 14 YEL	MAIN FURNACE (12V POWER)	MAIN FURNACE THERMOSTAT	KF 16 WHT	COACH BATTERY DISCONNECT RELAY SWITCH	GROUND
JJ 14 YEL	MAIN FURNACE (HEAT)	MAIN FURNACE THERMOSTAT	KG 14 YEL	POWER LIFT VENT (BLU)	POWER LIFT SWITCH(UP)
JK 14 YEL	AUXILIARY FURNACE	AUXILIARY FURNACE THERMOSTAT	KH 14 YEL	POWER LIFT VENT (RED)	POWER LIFT SWITCH(DOWN)
JL 14 YEL	AUXILIARY FURNACE	AUXILIARY FURNACE THERMOSTAT	KJ 14 YEL	POWER LIFT VENT (BLK)	FAN SWITCH
JM 14 WHT	MAIN FURNACE	GROUND	KK 18 YEL	REAR STEREO	RIGHT SPEAKER (POSITIVE)
JN 14 WHT	COACH LIGHTING CIRCUIT #5 (REF JG)	GROUND(ALTERNATE CLEAN CIRCUIT FOR LINEAR CONVERTER)	KL 18 WHT	REAR STEREO	RIGHT SPEAKER (NEGATIVE)
JP 14 WHT	"CLEAN CIRCUIT" DEVICES (REF JA)	GROUND	KM 14 YEL	POWER LIFT VENT LAMP	LAMP SWITCH
JR 16 YEL	MONITOR PANEL	LP TANK #2 LEVEL SENSOR	KN 18 YEL	REAR STEREO	LEFT SPEAKER (POSITIVE)
JS 12 YEL	MONITOR PANEL WATER PUMP SWITCH	WATER PUMP	KP 18 WHT	REAR STEREO	LEFT SPEAKER (NEGATIVE)
JT 16 YEL	MONITOR PANEL	LP TANK #1 LEVEL SENSOR	KR 14 WHT	REAR STEREO ANTENNA	GROUND
JU 14 YEL	MONITOR PANEL WATER HEATER SWITCH	WATER HEATER (BLU)	KS 14 YEL	REAR AUTO HEATER SWITCH (HIGH SPEED)	REAR AUTO HEATER
JW 14 YEL	MONITOR PANEL WATER HEATER SWITCH	WATER HEATER (BRN)	KT 14 YEL	REAR AUTO HEATER SWITCH (MEDIUM SPEED)	REAR AUTO HEATER
JX 14 WHT	WATER HEATER	GROUND	KU 14 YEL	REAR AUTO HEATER SWITCH (LOW SPEED)	REAR AUTO HEATER
JY 12 WHT	WATER PUMP	GROUND	KW 18 YEL	DASH RADIO	RIGHT FRONT SPEAKER (POSITIVE)

WIRE IDENTIFICATION CHART

CODE/COLOR	FROM:	TO:	CODE/COLOR	FROM:	TO:
KX 18 YEL	DASH RADIO	RIGHT REAR SPEAKER (POSITIVE)	LU 14 YEL	CHASSIS BRAKE LAMP CIRCUIT	VEHICLE BRAKES, TAG AXLE CONTROL MODULE, ETC.
KY 18 YEL	DASH RADIO	LEFT FRONT SPEAKER (POSITIVE)	LW 14 YEL	WIPER CONTROL MODULE (PARK)	WINDSHIELD WIPER MOTOR (FRONT)
LA 18 YEL	DASH RADIO	LEFT REAR SPEAKER (POSITIVE)	LX 14 YEL	WIPER CONTROL MODULE (LOW SPEED)	WINDSHIELD WIPER MOTOR (FRONT)
LB 18 WHT	DASH RADIO	RIGHT REAR SPEAKER (NEGATIVE)	LY 14 YEL	WIPER CONTROL MODULE (HIGH SPEED)	WINDSHIELD WIPER MOTOR (FRONT)
LC 18 WHT	DASH RADIO	LEFT REAR SPEAKER (NEGATIVE)	MA 14 YEL	WIPER CONTROL MODULE (WASHER BOTTLE PUMP)	WINDSHIELD WASHER BOTTLE PUMP (FRONT)
LD 14 YEL	IGNITION SWITCH ACCESSORY POWER SOURCE	GENERAL PURPOSE(AUX FANS, RELAY TRIGGER, ETC.)	MB 14 YEL	CHASSIS WINDSHIELD WIPER FEED CIRCUIT	OVERCURRENT PROTECTION (6A BREAKER TYPICAL)
LE 14 YEL	AUXILIARY DEFROST FANS SWITCH (HIGH SPEED)	AUXILIARY DEFROST FANS (BLK)	MC 16 WHT	INSTRUMENT PANEL LAMPS	GROUND
LF 14 YEL	AUXILIARY DEFROST FANS SWITCH (LOW SPEED)	AUXILIARY DEFROST FANS (RED)	MD 14 YEL	OVERCURRENT PROTECTION (15A BREAKER TYPICAL)	REMOTE MIRROR RELAY/POWER WINDOW FEED
LG 16 YEL	COACH BATTERY DISCONNECT RELAY (TERMINAL I)	COACH BATTERY DISCONNECT RELAY SWITCH	ME 14 YEL	OVERCURRENT PROTECTION (15A BREAKER TYPICAL)	AIR HORN RELAY FEED/ MARKER LAMPS RELAY FEED
LH 16 YEL	COACH BATTERY DISCONNECT RELAY (TERMINAL S)	COACH BATTERY DISCONNECT RELAY SWITCH	MF 14 YEL	OVERCURRENT PROTECTION (15A BREAKER TYPICAL)	FOG LAMP RELAY FEED/ SPOT LAMP FEED
LJ 16 YEL	COACH BATTERY DISCONNECT RELAY BATTERY SIDE FUSE FEED	COACH BATTERY DISCONNECT RELAY SWITCH	MG 14 WHT	GENERAL PURPOSE(RELAYS, DASH DEVICES, ETC.)	GROUND
LK 16 YEL	COACH BATTERY DISCONNECT RELAY LOAD SIDE FUSE FEED	COACH BATTERY DISCONNECT RELAY SWITCH/INDICATOR LAMP	MH 16 WHT	CHASSIS CHOKE LAMP INDICATOR CIRCUIT	CHOKE LAMP
LL 16 WHT	GENERATOR SWITCH (START)	GENERATOR (RED)	MJ 14 YEL	CHASSIS WINDSHIELD WIPER FEED CIRCUIT	WIPER CONTROL MODULE (POWER FEED)
LM 16 WHT	GENERATOR SWITCH (STOP)	GENERATOR (ORN)	MK 14 YEL	CHASSIS BATTERY POWER FEED CIRCUIT	GENERAL PURPOSE(CIGAR LIGHTER, DOME/COURTESY LAMPS, ETC)
LN 16 WHT	GENERATOR SWITCH/INDICATOR (GROUND)	GENERATOR (GRN)	ML 16 YEL	CHASSIS INSTRUMENT PANEL LAMPS FEED CIRCUIT	INSTRUMENT PANEL LAMPS
LP 16 YEL	GENERATOR SWITCH/INDICATOR (RUN)	GENERATOR (BLU)	MM 14 YEL	CHASSIS CLEARANCE LAMP CRT #1 (BRN TYPICAL)	CLEARANCE/MARKER LAMPS
LR 14 YEL	BATTERY MODE SWITCH (AUX START SWITCH)	BATTERY MODE SOLENOID (AUX START SOLENOID)	MN 14 WHT	DOME LAMP SWITCHED GROUND	DOME LAMP SWITCH(DOOR JAMB, INSTRUMENT PANEL SWITCH, ETC)
LS 12 YEL	OVERCURRENT PROTECTION 20A BREAKER TYPICAL, COACH FEED	GENERAL PURPOSE(BATTERY MODE, RADIO POWER, BATTERY CONDITION)	MP 18/16 WHT	ELEC STEP DOOR JAMB SWITCH, LP TANK SENDER, ETC	GROUND
LT 16 YEL	BATTERY CONDITION SWITCH	VOLTMETER (POWER FEED)	MR 14 YEL	REAR WINDOW WIPER SWITCH (LOW SPEED)	REAR WINDOW WIPER MOTOR (LOW SPEED)

WIRE IDENTIFICATION CHART

CODE/COLOR	FROM:	TO:	CODE/COLOR	FROM:	TO:
MS 14 WHT	CLEARANCE/MARKER LAMPS	GROUND	NR 16 YEL	LEFT POWER MIRROR (VERTICAL CONTROL, WHT)	POWER MIRROR CONTROL SWITCH
MT 8 WHT	ELECTRIC STEP	GROUND	NS 14 YEL	POWER MIRROR HEATER SWITCH	POWER MIRRORS (RED)
MU 14 WHT	GENERAL PURPOSE(CIGAR LIGHTER, DOME LAMPS,12 V OUTLETS,ETC)	GROUND	NT 14 YEL	POWER MIRROR RELAY	POWER MIRROR CONTROL SWITCH
MW 16 YEL	VEHICLE CHECK ENGINE LAMP CIRCUIT	CHECK ENGINE LAMP	NU 14 YEL	AISLE LAMPS SWITCH #1	AISLE LAMPS SWITCH #2
MX 16 YEL	WINDSHIELD WIPER SWITCH	WIPER RELAY	NW 14 YEL	FRONT COMPARTMENT LAMPS SWITCH	COMPARTMENT LAMPS
MY 14 YEL	VEHICLE HEADLAMP FEED CIRCUIT	DIMMER MODULE	NX 14 YEL	INTERSTATE COMMERCE COMMITTEE COURTESY BLINK SWITCH	CLEARANCE LAMPS
NA 14 YEL	VEHICLE HEADLAMP LOW BEAM CIRCUIT	DIMMER MODULE	NY 14 YEL	AISLE LAMPS SWITCH #1	AISLE LAMPS SWITCH #2
NB 14 YEL	VEHICLE HEADLAMP HIGH BEAM CIRCUIT	DIMMER MODULE	PA 14 WHT	REAR AUTO HEATER	GROUND
NC 14 WHT	COACH LIGHTING CIRCUIT #1 (REF JC)	GROUND	PB 14 WHT	REAR WINDOW WIPER MOTOR	GROUND
ND 14 WHT	COACH LIGHTING CIRCUIT #2 (REF JD)	GROUND	PC 14 YEL	BEDROOM CEILING LAMP SWITCH	BEDROOM CEILING LAMP
NE 14 WHT	COACH LIGHTING CIRCUIT #3 (REF JE)	GROUND	PD 14 YEL	MAKE UP LAMP #1 SWITCH	MAKE UP LAMP #1
NF 14 WHT	COACH LIGHTING CIRCUIT #4 (REF JF)	GROUND	PE 14 YEL	BATH CEILING LAMP SWITCH	BATH CEILING LAMP
NG 16 YEL	FOG LAMPS SWITCH	FOG LAMPS RELAY	PF 14 YEL	SHOWER LAMP SWITCH WIRE D WAS FIRST USED ON C'S	SHOWER LAMP
NH 14 YEL	FOG LAMPS RELAY	FOG LAMPS	PG 14 YEL	WARDROBE LAMP SWITCH	WARDROBE LAMP
NJ 16 YEL	CHASSIS HORN FEED CIRCUIT	AIR HORN SWITCH	PH 14 YEL	AISLE LAMPS SWITCH	AISLE LAMPS
NK 14 YEL	AIR HORN SWITCH	AIR HORN AIR TANK AIR RELEASE VALVE	PJ 14 YEL	PORCH LAMP SWITCH	PORCH LAMP
NL 14 YEL	AR HORN RELAY	AIR HORN AIR COMPRESSOR	PK 14 YEL	STRIP LAMP SWITCH	STRIP LAMP
NM 14 YEL	OVERCURRENT PROTECTION (15A FUSE TYPICAL)	COACH LIGHTING CIRCUIT #6 (REF PM)	PL 14 YEL	FRONT CEILING LAMP SWITCH	FRONT CEILING LAMP
NN 16 YEL	LEFT POWER MIRROR MOTOR (HORIZONTAL CONTROL,YEL)	POWER MIRROR CONTROL SWITCH	PM 14 WHT	COACH LIGHTING CIRCUIT #6 (REF NM)	GROUND

WIRE IDENTIFICATION CHART

CODE/COLOR	FROM:	TO:	CODE/COLOR	FROM:	TO:
PN 16 WHT	RIGHT POWER MIRROR (COMMON, BLK)	POWER MIRROR CONTROL SWITCH	RL 12 WHT	RADIATOR FAN #2	GROUND
PP 16 YEL	RIGHT POWER MIRROR (HORIZONTAL CONTROL, YEL)	POWER MIRROR CONTROL SWITCH	RM 14 WHT	VEHICLE IGNITION SWITCH GROUND DURING START CIRCUIT	BULB CHECK (LOW TAG AIR, PARK BRAKE, ETC)
PR 16 YEL	RIGHT POWER MIRROR (VERTICAL CONTROL, WHT)	POWER MIRROR CONTROL SWITCH	RN 14 YEL	AUTOMOTIVE AIR CONDITIONER THERMOSTAT CUTOFF SWITCH	AUTOMOTIVE AIR CONDITIONER COMPRESSOR CLUTCH
PS 14 YEL	MAP LAMP SWITCH	MAP LAMP	RP 14 YEL	AUTOMOTIVE AIR CONDITIONER COOLANT FAN CONTROL	COOLANT FAN RELAY
PT 14 YEL	BEVERAGE TRAY LAMP SWITCH	BEVERAGE TRAY LAMP	RR 14 YEL	BRAKE LAMP SWITCH	TURN SIGNAL SWITCH
PU 14 YEL	DUMP LAMP SWITCH	DUMP LAMP	RS 14 YEL	HEADLAMP SWITCH INSTRUMENT PANEL LAMP FEED SWITCH	OVERCURRENT PROTECTION (5A FUSE TYPICAL)
PW 14 YEL	OVERCURRENT PROTECTION (15A BREAKER TYPICAL)	POWER DOOR LOCK/UNLOCK RELAY (PIN 30)	RT 14 YEL	HORN RELAY (COMMON)	HORN
PX 16 YEL	POWER DOOR LOCK SWITCH (LOCK) (PIN 1)	POWER DOOR LOCK RELAY (PIN 86)	RU 14 YEL	HORN RELAY (COIL)	HORN SWITCH
PY 16 YEL	POWER DOOR LOCK SWITCH (UNLOCK) (PIN 5)	POWER DOOR UNLOCK RELAY (PIN 86)	RW 14 YEL	HAZARD FLASHER	TURN SIGNAL SWITCH
RA 14 YEL	VEHICLE LEFT FRONT TURN SIGNAL CIRCUIT	LEFT FRONT TURN SIGNAL/MARKER LAMP	RX 14 YEL	EUL WARNING LAMP	EUL MODULE
RB 14 YEL	VEHICLE RIGHT FRONT TURN SIGNAL CIRCUIT	RIGHT FRONT TURN SIGNAL/MARKER LAMP	RY 14 WHT	INSTRUMENT CLUSTER/ EUL MODULE	GROUND
RC 14 WHT	FRONT AUTOMOTIVE LAMPS (TURN, MARKER, ETC)	GROUND	SA 14 YEL	ENGINE WATER TEMPERATURE SENDER	ENGINE WATER TEMPERATURE GAUGE
RD 14 YEL	OVERCURRENT PROTECTION (15 A FUSE TYPICAL)	HAZARD FLASHER, HORN RELAY	SB 14 YEL	ENGINE OIL PRESSURE SENDER	ENGINE OIL PRESSURE GAUGE
RE 12 YEL	RADIATOR FAN RELAY #1 (COMMON)	RADIATOR FAN #1	SC 14 YEL	VEHICLE RIGHT REAR TURN SIGNAL/BRAKE LAMP CIRCUIT	RIGHT REAR TURN SIGNAL/ BRAKE LAMPS
RF 12 YEL	RADIATOR FAN RELAY #2 (COMMON)	RADIATOR FAN #2	SD 14 YEL	VEHICLE LEFT REAR TURN SIGNAL/BRAKE LAMP CIRCUIT	LEFT REAR TURN SIGNAL/ BRAKE LAMPS
RG 14 WHT	RADIATOR FAN THERMOSTAT SWITCH	RADIATOR FAN RELAYS (COILS, TRIGGER)	SE 16YEL(WHT)	SPEED SENSOR (TWISTED PAIR)	SPEEDOMETER AND SPEED CONTROL MODULE
RH 12YEL(BLK)	OVERCURRENT PROTECTION (25A BREAKER TYPICAL)	RADIATOR FAN RELAY #1 (NORMALLY OPEN)	SF 16WHT(BLK)	SPEED SENSOR (TWISTED PAIR)	SPEEDOMETER AND SPEED CONTROL MODULE
RJ 12YEL(BLK)	OVERCURRENT PROTECTION (25A BREAKER TYPICAL)	RADIATOR FAN RELAY #2 (NORMALLY OPEN)	SG 14 YEL	IGNITION SWITCH START FEED	GENERAL (NEUTRAL SAFETY SWITCH, FUEL PUMP RELAY COIL, ETC)
RK 12 WHT	RADIATOR FAN #1	GROUND	SH 14 YEL	IGNITION SWITCH RUN/START FEED	GENERAL (IGNITION COIL RELAY NORMALLY OPEN CONTACT, ETC)

WIRE IDENTIFICATION CHART

CODE/COLOR	FROM:	TO:	CODE/COLOR	FROM:	TO:
SJ 12/10 YEL	OVERCURRENT PROTECTION	CHASSIS BATTERY FEED	TG 16 YEL	TELEVISION	SPEAKER RIGHT (POSITIVE)
SK 12YEL(WHT)	OVERCURRENT PROTECTION (16GA FUSELINK TYPICAL)	CHASSIS BATTERY HEADLAMP SWITCH FEED #1	TH 16 WHT	TELEVISION	SPEAKER RIGHT (NEGATIVE)
SL 12YEL(BLU)	OVERCURRENT PROTECTION (16GA FUSELINK TYPICAL)	CHASSIS BATTERY IGNITION SWITCH FEED #1	TJ 16 YEL	TELEVISION	SPEAKER LEFT (POSITIVE)
SM 12YEL(BLK)	OVERCURRENT PROTECTION (16GA FUSELINK TYPICAL)	RADIATOR FAN #1 CIRCUIT BREAKER FEED	TK 16 WHT	TELEVISION	SPEAKER LEFT (NEGATIVE)
SN 12YEL(BLK)	OVERCURRENT PROTECTION (16GA FUSELINK TYPICAL)	RADIATOR FAN #2 CIRCUIT BREAKER FEED	TL 16 YEL	FRONT RIGHT TV SPEAKER NEGATIVE,SERIES CONNECTION	FRONT LEFT TV SPEAKER POSITIVE,SERIES CONNECTION
SP 14 YEL	HEADLAMP SWITCH MARKER CIRCUIT FEED	OVERCURRENT PROTECTION (15A FUSE TYPICAL)	TM 16 WHT	STEP COVER SWITCH	STEP COVER SOLENOID MOVES STEP OUT
SR 12YEL(BRN)	IGNITION SWITCH RUN ONLY FEED	OVERCURRENT PROTECTION (15A FUSE TYPICAL)	TN 14 YEL	STARTER SOLENOID BATTERY TERMINAL	ALTERNATOR REGULATOR
SS 12YEL(WHT)	IGNITION SWITCH ACCESSORY FEED	OVERCURRENT PROTECTION (15A FUSE TYPICAL)	TP 14 WHT	REAR AUTOMOTIVE LAMPS(TURN, MARKER,ETC)	GROUND
ST 14 YEL	OVERCURRENT PROTECTION (15A FUSE TYPICAL)	TURNS/BACK UP CIRCUIT FEED	TR 14 YEL	VEHICLE BACK UP CIRCUIT FEED	BACK UP LAMPS
SU	STARTER SOLENOID BATTERY TERMINAL	ALTERNATOR BATTERY TERMINAL	TS 14 YEL	STARTER SOLENOID (I TERMINAL)	ENGINE WIRING (IGNITION MODULE)
SW 14 YEL	TURN SIGNAL FLASHER	TURN SIGNAL SWITCH	TT 14 YEL	NEUTRAL SAFETY SWITCH	STARTER SOLENOID (S TERMINAL)
SX 14 YEL	REAR WINDOW WASHER SWITCH	REAR WINDOW WASHER BOTTLE PUMP	TU 14 WHT	IGNITION COIL RELAY (COIL)	GROUND
SY 14 YEL	IGNITION COIL	TACHOMETER	TW 14 YEL	IGNITION SWITCH START/RUN FEED	IGNITION COIL
TA 14 YEL	OVERCURRENT PROTECTION (15A FUSE TYPICAL)	IGNITION RUN ONLY GENERAL FEED (RADIATOR FAN RELAY COIL,ETC)	TX 14 YEL	IGNITION COIL RELAY (COMMON)	IGNITION COIL
TB 12 YEL	OVERCURRENT PROTECTION (25A FUSE TYPICAL)	IGNITION RUN ONLY GENERAL FEED (AUTO AC BLOWER(NOT HIGH),ETC)	TY 14 YEL	ALTERNATOR (T TERMINAL)	CHOKE HEATER
TC 14 YEL	OVERCURRENT PROTECTION (15A FUSE TYPICAL)	IGNITION RUN ONLY GENERAL FEED (DOOR LOCKS,REAR WIPER,ETC.)	UA 14 YEL	FUEL PUMP FUSE	OIL PRESSURE CUTOUT SWITCH/ FUEL PUMP RELAY(NO),ETC
TD 14/12YEL	OVERCURRENT PROTECTION	CHASSIS BATTERY GENERAL FEED	UB 14 YEL	INERTIA SWITCH (FUEL PUMP SHUTOFF)	FUEL PUMP RELAY (NORMALLY CLOSED)
TE 16 WHT	GENERATOR	GENERATOR LOW OIL INDICATOR LAMP	UC 14 YEL	FUEL PUMP RELAY (COMMON)	FUEL PUMP
TF 16 YEL	GENERATOR	GENERATOR LOW OIL INDICATOR LAMP	UD 16 WHT	FUEL GAUGE	FUEL SENDER

WIRE IDENTIFICATION CHART

CODE/COLOR	FROM:	TO:	CODE/COLOR	FROM:	TO:
UE 14 YEL	INERTIA SWITCH (FUEL PUMP SHUTOFF)	OIL PRESSURE CUTOFF SWITCH	WC 14 YEL	DDVRCURRENT PROTECTION (15A BREAKER TYPICAL)	COMPARTMENT LAMPS (REF WE)
UF 14 WHT	FUEL PUMP	GROUND	WD 14 WHT	AISLE LAMPS	GROUND
UG 14 WHT	FUEL PUMP RELAY (COIL)	GROUND	WE 14 WHT	COMPARTMENT LAMPS (REF WC)	GROUND
UH 16 YEL	LP DETECTOR (SHUTOFF SYSTEM, YEL)	LP SAFETY VALVE	WF 12YEL(WHT)	OVERCURRENT PROTECTION (30A BREAKER TYPICAL)	PARK BRAKE COMPRESSOR SOENOID
UJ 16 YEL	LP DETECTOR (SHUTOFF SYSTEM, YEL)	LP SAFETY SWITCH	WG 12YEL(BLK)	OVERCURRENT PROTECTION (30A BREAKER TYPICAL)	IGNITION RELAY
UK 16 WHT	LP DETECTOR (BLK)(REF WB)	GROUND	WH 14 YEL	OVERCURRENT PROTECTION (15A BREAKER TYPICAL)	IGNITION SWITCH RUN ONLY FEED
UL 16 WHT	EUL LAMP	EUL MODULE	WJ 12 YEL	OVERCURRENT PROTECTION (20A BREAKER TYPICAL)	IGNITION SWITCH ACCESSORY FEED RELAY
UM 16 WHT	DOOR JAMB DOME LAMP SWITCH	GROUND	WK 14 YEL	OVERCURRENT PROTECTION (15A BREAKER TYPICAL)	IGNITION SWITCH ACCESSORY FEED
UN 16 WHT	SEAT BELT LAMP	EUL MODULE	WL 14 YEL	POWER DOOR LOCK RELAY (PIN 30)	POWER DOOR LOCK MOTOR(S) (LOCK)
UP 16 YEL	SEAT BELT LAMP	SEAT BELT BUZZER	WM 14 WHT	POWER DOOR UNLOCK RELAY (PIN 30)	POWER DOOR LOCK MOTOR(S) (UNLOCK)
UR 16 WHT	PARK BRAKE SWITCH	PARK BRAKE LAMP	WN 16 YEL	RADIO POWER SWITCH (ACCESSORY POWER)	DASH RADIO (ACCESSORY POWER)
US 16 YEL	OVERCURRENT PROTECTION (6A BREAKER TYPICAL)	COACH BATTERY FEED TO BATTERY CONDITION SWITCH	WP 10 YEL	OVERCURRENT PROTECTION (25A BREAKER TYPICAL)	FRONT PANEL LOADS(INVERTER, RADIO)(96 M-SERIES)
UT 14 YEL	DOOR JAMB DOME LAMP SWITCH (SWITCH POSITIVE)	DOME LAMP	WR 14 YEL	OVERCURRENT PROTENTION (15A BREAKER TYPICAL)	POWER SEAT LIFT SWITCH
UU 16 YEL	WATER HEATER	VACUUM VALVE SOLENOID	WS 14 WHT	POWER SEAT LIFT SWITCH	GROUND
UW 16 WHT	VACUUM VALVE SOLENOID	GROUND	WT 14 YEL	POWER SEAT LIFT SWITCH (UP)	MOTOR (POSITIVE UP)
UX 16 YEL	LP DETECTOR #2 (SHUTOFF SYSTEM, YEL)	LP SAFETY VALVE	WU 14 WHT	POWER SEAT LIFT SWITCH (DOWN)	MOTOR (POSITIVE DOWN)
UY 16 YEL	LP DETECTOR #2 (SHUTOFF SYSTEM, YEL)	LP SAFETY VALVE	WW 14 WHT	SPOT LAMP SWITCH	GROUND
WA 14 YEL	EXTERIOR SERVICE LAMP SWITCH	EXTERIOR SERVICE LAMP	WX 14 YEL	HALLWAY CEILING LAMP SWITCH	HALLWAY CEILING LAMP
WB 16 YEL	OVERCURRENT PROTECTION (6A BREAKER TYPICAL)	LP DETECTOR (REF UK)	WY 10 WHT	AUTOMOTIVE AIR CONDITIONER MOTOR	GROUND

WIRE IDENTIFICATION CHART

CODE/COLOR	FROM:	TO:	CODE/COLOR	FROM:	TO:
XA 12/10 YEL	VEHICLE AUTOMOTIVE AIR FEED CIRCUIT	AUTOMOTIVE AIR CONDITIONER BLOWER (USE 10 IF OVER 6')	XX 14 YEL	GALLEY LAMP SWITCH	GALLEY LAMP
XB 14 YEL	DRIVER'S DOOR POWER WINDOW SWITCH(PIN 5)	DRIVER'S DOOR POWER WINDOW MOTOR(POSITIVE UP)	XY 14 YEL	MAKE UP LAMP #2 SWITCH	MAKE UP LAMP #2
XC 14 WHT	DRIVER'S DOOR POWER WINDOW SWITCH(PIN 1)	DRIVER'S DOOR POWER WINDOW MOTOR(POSITIVE DOWN)	YA 14 YEL	TAG AXLE PRESSURE CONTROL SWITCH	COMPRESSOR SOLENOID/ SOLENOID AIR VALVE
XD 16 WHT	MONITOR PANEL	HOLDING TANK LEVEL SENSOR (FULL)	YB 14 WHT	LOW AIR PRESSURE SWITCH	GROUND
XE 16 WHT	MONITOR PANEL	HOLDING TANK LEVEL SENSOR (3/4)	YC 10YEL(BLU)	OVERCURRENT PROTECTION (30A BREAKER TYPICAL)	TAG AXLE COMPRESSOR SOLENOID
XF 16 WHT	MONITOR PANEL	HOLDING TANK LEVEL SENSOR (1/2)	YD 14 WHT	TAG AXLE MOUNTING PLATE SCREW	GROUND
XG 16 WHT	MONITOR PANEL	HOLDING TANK LEVEL SENSOR (1/4)	YE 10 WHT	TAG AXLE COMPRESSOR	GROUND
XH 16 YEL	MONITOR PANEL	WATER TANK LEVEL SENSOR	YF 12 WHT	TAG AXLE BRAKE CONTROL MODULE/BRAKE MAGNET	GROUND
XJ 16 YEL	MONITOR PANEL	BLACK HOLDING LEVEL SENSOR (MAIN TANK)	YG 12YEL(BLK)	OVERCURRENT PROTECTION (20A BREAKER TYPICAL)	TAG AXLE BRAKE CONTROL MODULE
XK 16 YEL	MONITOR PANEL	GRAY AUXILIARY HOLDING TANK #1 LEVEL SENSOR (AUX TANK #1)	YH 12YEL(BLU)	TAG AXLE BRAKE CONTROL MODULE	TAG AXLE BRAKE MAGNET
XL 16 YEL	MONITOR PANEL	GRAY AUXILIARY HOLDING TANK #2 LEVEL SENSOR (AUX TANK #2)	YJ 10YEL(WHT)	TAG AXLE COMPRESSOR SOLENOID	TAG AXLE COMPRESSOR
XM 14 YEL	OVERCURRENT PROTECTION (18GA FUSELINK TYPICAL)	IGNITION START RELAY	YK 14 YEL	BEDROOM CEILING LAMP SWITCH#1 (2 SWITCH SYSTEM)	BEDROOM CEILING LAMP SWITCH #2 (2 SWITCH SYSTEM)
XN 16 YEL	FRONT ROOF AIR CONDITIONER (EXHAUST)	THERMOSTAT (EX TERMINAL)	YL 14 YEL	BEDROOM CEILING LAMP SWITCH #1 (2 SWITCH SYSTEM)	BEDROOM CEILING LAMP SWITCH #2 (2 SWITCH SYSTEM)
XP 16 YEL	FRONT ROOF AIR CONDITIONER (COOL)	THERMOSTAT (Y TERMINAL)(Y EXPORT AIR)	YM 14 YEL	HALLWAY CEILING LAMP SWITCH #1 (2 SWITCH SYSTEM)	HALLWAY CEILING LAMP SWITCH #2 (2 SWITCH SYSTEM)
XR 16 YEL	FRONT ROOF AIR CONDITIONER (HIGH SPEED BLOWER)	THERMOSTAT (GH TERMINAL)(H EXPORT AIR)	YN 14 YEL	HALLWAY CEILING LAMP SWITCH #1 (2 SWITCH SYSTEM)	HALLWAY CEILING LAMP SWITCH #2 (2 SWITCH SYSTEM)
XS 16 YEL	FRONT ROOF AIR CONDITIONER (LOW SPEED BLOWER)	THERMOSTAT (GL TERMINAL)(G EXPORT AIR)	YP 14 YEL	VALANCE LAMP SWITCH #1 (3 WAY SWITCH)	VALANCE LAMP SWITCH #2 (3 WAY SWITCH)
XT 14 YEL	IGNITION START RELAY #1 (NORMALLY CLOSED CONTACT)	IGNITION START RELAY #2 (COMMON CONTACT)	YR 14 YEL	VALANCE LAMP SWITCH #1 (3 WAY SWITCH)	VALANCE LAMP SWITCH #2 (3 WAY SWITCH)
XU 14 YEL	DINETTE OVHD LAMP SWITCH	DINETTE OVHD LAMP	YS 14 YEL	VALANCE LAMP SWITCH	VALANCE LAMP
XW 14 WHT	IGNITION SWITCH ACCESSORY FEED RELAY CIRCUIT	GROUND	YT 14 YEL	FRONT VALANCE LAMP SWITCH	FRONT VALANCE LAMP

WIRE IDENTIFICATION CHART

CODE/COLOR	FROM:	TO:	CODE/COLOR	FROM:	TO:
YU 14 YEL	REAR VALANCE LAMP SWITCH	REAR VALANCE LAMP	AAS 16 YEL	SPEAKER (NEGATIVE) SPEAKERS IN SERIES	SPEAKER (POSITIVE)
YW 14 WHT	DOOR BELL SWITCH	DOOR BELL	AAT 16 YEL	AMPLIFIER POSITIVE OUT (AAU NEGATIVE)	FRONT WOOFER (WITH DELUXE SOUND SYSTEM)
YX 14 YEL	IGNITION SWITCH RUN/START FEED	ALTERNATOR WARNING LAMP	AAU 16 WHT	AMPLIFIER NEGATIVE OUT (AAT POSITIVE)	FRONT WOOFER (WITH DELUXE SOUND SYSTEM)
YY 14 YEL	ALTERNATOR VOLTAGE REGULATOR	ALTERNATOR WARNING LAMP	AAW 16 YEL	AMPLIFIER POSITIVE OUT (AAX NEGATIVE)	REAR WOOFER (WITH DELUXE SOUND SYSTEM)
AAA 16 WHT	STEP COVER SWITCH (REF GX)	STEP COVER SOLENOID MOVES STEP IN	AAX 16 WHT	AMPLIFIER NEGATIVE OUT (AAW POSITIVE)	REAR WOOFER (WITH DELUXE SOUND SYSTEM)
AAB 14 YEL	DINETTE READING LAMPS	DINETTE READING LAMP SWITCH	AAY 12 YEL	SLIDEOUT ROOM CONTROL SWITCH (RAM #1)	SLIDEOUT DRIVE MOTOR LEAD #1
AAC 14 YEL	LOUNGE READING LAMPS	LOUNGE READING LAMP SWITCH	AAZ 12 YEL	SLIDEOUT ROOM CONTROL SWITCH (RAM #1)	SLIDEOUT DRIVE MOTOR LEAD #2
AAD 14 YEL	FORD CHASSIS TRAILER MARKER LAMP CIRCUIT (BR/WHT)	TRAILER CONNECTOR SOCKET MARKER LAMPS	BBA 16 WHT	SLIDEOUT WIRING (PARK BRAKE SW)(SWITCHED GRD)	SLIDEOUT ROOM RELAY (GROUND TERMINAL)
AAE 14 YEL	FORD CHASSIS TRAILER BACKUP LAMP CIRCUIT (BLK/LT GRN)	TRAILER CONNECTOR SOCKET BACKUP LAMPS	BBB 16 YEL	SLIDEOUT ROOM CIRCUIT BREAKER (6 AMP)	SLIDEOUT ROOM RELAY (PIN 86 & 87)
AAF 14 YEL	FORD CHASSIS TRAILER LEFT TURN/BRAKE LAMP CIRCUIT (YEL)	TRAILER CONNECTOR SOCKET LEFT TURN/BRAKE LAMP	BBC 16 YEL	LOAD SHEDDER MONITOR PANEL (RED WIRE)	LOAD SHEDDER CONTROL BOARD (RED WIRE)
AAG 14 YEL	FORD CHASSIS TRAILER RIGHT TURN/BRAKE LAMP CIRCUIT (DKG)	TRAILER CONNECTOR SOCKET RIGHT TURN/BRAKE LAMP	BBD 16 YEL	LOAD SHEDDER MONITOR PANEL (BLUE WIRE)	LOAD SHEDDER CONTROL BOARD (BLUE WIRE)
AAH 14 YEL	BATH-VENT, POWER	BATH-VENT, THERMOSTAT	BBE 16 YEL	LOAD SHEDDER MONITOR PANEL (BLACK WIRE)	LOAD SHEDDER CONTROL BOARD (BLACK WIRE)
AAJ 14 YEL	BATH-VENT, POWER	BATH-VENT, THERMOSTAT	BBF 16 YEL	LOAD SHEDDER MONITOR PANEL (GRAY WIRE)	LOAD SHEDDER CONTROL BOARD (GRAY WIRE)
AAK 16 WHT	SWITCH-WATER PUMP (MULTIPLEX SYSTEM)	LATCHING RELAY (WITH 4 OR MORE SWITCHES)	BBG 14 YEL	DINETTE CEILING LAMP SWITCH	DINETTE CEILING LAMP
AAL 16 WHT	SWITCH-WATER PUMP (MULTIPLEX SYSTEM)	GROUND	BBH 16 YEL	REAR COMPRESSOR SIGNAL REAR THERMOSTAT	LOAD SHEDDER CONTROL BOARD
AAM 14 YEL	CHASSIS SUPPLIED WIRE ASM (DARK BLUE) (GM)	RIGHT TAIL LAMP PARK (WIE)	BBJ 16 YEL	LOAD SHEDDER CONTROL BOARD	REAR A/C (COOL)
AAN 14 YEL	CHASSIS SUPPLIED WIRE ASM (PURPLE) (GM)	LEFT TAIL LAMP PARK (WIE)	BBK 12 WHT	JET AIR/TAG AXLE WIRING	GROUND, CHASSIS
AAP 10 YEL	55 AMP BREAKER JUMPER WIRE	30 AMP BREAKER	BBL 14 YEL	OVHD SWITCH	OVHD HALOGEN LAMPS
AAR 14 YEL	TV/RADIO SPEAKER FEED SELECTOR SWITCH	TV SPEAKER AMPLIFIER	BBM 16 YEL	SLIDEOUT ROOM SWITCH (ROOM TWO EXTEND)	HWH WIRING (ROOM TWO EXTEND)

WIRE IDENTIFICATION CHART

CODE/COLOR	FROM:	TO:	CODE/COLOR	FROM:	TO:
BBN 16 YEL	SLIDEOUT ROOM SWITCH (ROOM TWO RETRACT)	HWH WIRING (ROOM TWO RETRACT)	CCK 14 YEL	COMPARTMENT LAMP SWITCH	COMPARTMENT LAMP
BBP 14 YEL	ICC COURTESY BLINK SWITCH	ICC COURTESY BLINK RELAY	CCL 14 YEL	COMPARTMENT LAMP SWITCH	COMPARTMENT LAMP
BBR 14 YEL	ICC COURTESY BLINK RELAY	CLEARANCE LAMPS	CCM 14 YEL	COMPARTMENT LAMP SWITCH	COMPARTMENT LAMP
BBS 14 YEL	CHASSIS FUSE PANEL	ICC COURTESY BLINK RELAY	CCN 16 YEL	THERMOSTATE LOW SPEED FAN SIGNAL	CENTRAL AIR AND LOAD SHEDDER
BBT 14 YEL	DOCKING LAMP SWITCH TRIGGER RELAY	DOCKING LAMP SWITCH	CCP 16 YEL	LOAD SHEDDER COMPRESSOR TWO CONTROL RELAY	CENTRAL A/C COMPRESSOR TWO
BBU 12 YEL	DOCKING LAMP CIRCUIT BREAKER	DOCKING LAMP RELAY	CCR 14 YEL	SWITCH-MONITOR PANEL (IN EXT. WATER CENTER)	EXTERIOR MONITOR PANEL (IN EXT. WATER CENTER)
BBW 14 YEL	VEHICLE LEFT HEADLAMP LOW BEAM CIRCUIT	LEFT LOW BEAM LAMP	CCS 16 YEL	NOISE FILTER	RADIO POWER INPUT
BBX 14 YEL	VEHICLE RIGHT HEADLAMP LOW BEAM CIRCUIT	RIGHT LOW BEAM LAMP	CCT 16 YEL	REAR RIGHT TV SPEAKER NEGATIVE,SERIES CONNECTION	REAR LEFT TV SPEAKER POSITIVE,SERIES CONNECTION
BBY 14 YEL	SWITCH-MONITOR PANEL (IN EXT. WATER CENTER)	EXTERIOR MONITOR PANEL (IN EXT. WATER CENTER)	CCU 16 YEL	GM DOME LAMP POWER	DOMELAMP
BBZ 14 YEL	OVERCURRENT PROTECTION (15A FUSE/BREAKER TYPICAL)	AUXILIARY FURNACE (CCA)	CCW 12 YEL	DUAL MODE SOLENOID (CHASSIS SIDE)	FUSE HOLDER (30 AMP)
CCA 14 WHT	AUXILIARY FURNACE	GROUND	CCX 16 YEL	ORG WIRE ON AIR COMPRESSOR	AIR PRESSURE SWITCH ON AIR TANK
CCB 16 YEL	EXTERIOR MONITOR PANEL	WATER TANK LEVEL SENSOR	CCY 16 YEL	HWH WIRING (BATTERY POWER)	SLIDEOUT ROOM SWITCH (POSITIVE)
CCC 16 YEL	EXTERIOR MONITOR PANEL	MAIN HOLDING TANK LEVEL SENSOR	CCZ 16 YEL	HWH WIRING (SWITCHED BATTERY POWER)	SLIDEOUT ROOM #1 SWITCH (POSITIVE)
CCD 16 YEL	EXTERIOR MONITOR PANEL	AUX HOLDING TANK LEVEL SENSOR	DDA 16 YEL	HWH WIRING (PUMP RELAY CONTROL)	SLIDEOUT ROOM SWITCH (POSITIVE)
CCE 14 YEL	COMPARTMENT LAMP SWITCH	COMPARTMENT LAMP	DDB 14 YEL	REAR AUTO HEATER CIRCUIT BREAKER	REAR AUTO HEATER RELAY (POWER)
CCF 14 YEL	COMPARTMENT LAMP SWITCH	COMPARTMENT LAMP	DDC 14 YEL	REAR AUTO HEATER RELAY (SWITCHED POWER)	REAR AUTO HEATER SWITCH (COMMON TERMINAL)
CCG 14 YEL	COMPARTMENT LAMP SWITCH	COMPARTMENT LAMP	DDD 14 YEL	MODULE-CHARGE CONTROL RELAY OUTPUT	AUX-START SOLENOID RELAY
CCH 14 YEL	COMPARTMENT LAMP SWITCH	COMPARTMENT LAMP	DDE 14 YEL	AUX-START SOLENOID RELAY	AUX-START SOLENOID
CCJ 14 YEL	COMPARTMENT LAMP SWITCH	COMPARTMENT LAMP	DDF 10 YEL	HEATER BLOWER CIRCUIT BREAKER	HEATER BLOWER RELAY

WIRE IDENTIFICATION CHART

CODE/COLOR	FROM:	TO:	CODE/COLOR	FROM:	TO:
DDG 10 YEL	CIRCUIT BREAKER BUSS BAR	CHASSIS BATTERY FEED CIRCUIT BREAKER	EEC 12 YEL	25 AMP BREAKER IN 12 VOLT PANEL	SOFA RECLINER SWITCH SOFA 4-WAY RECLINER
DDH 14 YEL	FREIGHTLINER RUN ONLY TRIGGER CIRCUIT	HEATER BLOWER RELAY	EED 12 WHT	SOFA RECLINER SWITCH SOFA 4-WAY RECLINER	GROUND
DDJ 16 WHT	CHASSIS PARKING BRAKE TRIGGER CIRCUIT	LEVELING SYSTEM PARKING BRAKE SENSOR WIRE	EEE 14 YEL	OVERCURRENT PROTECTION (15A BREAKER TYPICAL)	12V POWER JACK
DDK 16 YEL	HWH WIRING (PUMP RELAY CONTROL)	REAR SLIDEOUT ROOM SWITCH (POSITIVE)	EEF 14 WHT	12V POWER JACK	GROUND
DDL 14 WHT	FRONT LEFT AUTOMOTIVE LAMPS	GROUND	EEG 12 WHT	POWER COMPT DOOR LOCK RELAYS (RIGHT SIDE)	GROUND
DDM 14 WHT	FRONT RIGHT AUTOMOTIVE LAMPS	GROUND	EEH 12 YEL	SOFA RECLINER SWITCH EXTEND	SOFA RECLINER MOTOR SOFA 4-WAY
DDN 16 YEL	TIMER MODULE	CHECK ANTENNA LIGHT	EEJ 12 YEL	SOFA RECLINER SWITCH RETRACT	SOFA RECLINER MOTOR SOFA 4-WAY
DDP 12 YEL	OVERCURRENT PROTECTION (20A BREAKER TYPICAL)	INVERTER FEED (INVERTER NUMBER 2)	EEK 18 YEL	AUDIO AMPLIFIER	LH FRT SPKR (+)
DDR 12 WHT	INVERTER (INVERTER NUMBER 2)	GROUND	EEL 18 WHT	AUDIO AMPLIFIER	LH FRT SPKR (-)
DDS 12 WHT	INVERTER CHASSIS (INVERTER NUMBER 2)	GROUND	EEM 18 YEL	AUDIO AMPLIFIER	RH FRT SPKR (+)
DDT 12 YEL	POWER COMPT DOOR LOCK RELAY (RIGHT SIDE)	POWER COMPT DOOR LOCK MOTOR(S) (RIGHT SIDE)	EEN 18 WHT	AUDIO AMPLIFIER	RH FRT SPKR (-)
DDU 12 WHT	POWER COMPT DOOR UNLOCK RELAY (RIGHT SIDE)	POWER COMPT LOCK MOTOR(S) (UNLOCK) (RIGHT SIDE)	EEP 18 YEL	AUDIO AMPLIFIER	LH RR SPKR (+)
DDV 12 YEL	POWER COMPT DOOR LOCK RELAY (LEFT SIDE)	POWER COMPT LOCK MOTOR(S) (LOCK) (LEFT SIDE)	EER 18 WHT	AUDIO AMPLIFIER	LH RR SPKR (-)
DDW 12 WHT	POWER COMPT DOOR UNLOCK RELAY (LEFT SIDE)	POWER COMPT LOCK MOTOR(S) (UNLOCK) (LEFT SIDE)	EES 18 YEL	AUDIO AMPLIFIER	RH RR SPKR (+)
DDX 12 YEL	OVERCURRENT PROTECTION (20A BREAKER TYPICAL)	POWER COMPT DOOR LOCK/ UNLOCK RELAY (RIGHT SIDE)	EET 18 WHT	AUDIO AMPLIFIER	RH RR SPKR (-)
DDY 12 YEL	OVERCURRENT PROTECTION (20A BREAKER TYPICAL)	POWER COMPT DOOR LOCK/ UNLOCK RELAY (LEFT SIDE)	EEU 18 YEL	AUDIO AMPLIFIER	CTR CHANNEL SPKR (+)
DDZ 12 YEL	POWER COMPT DOOR LOCK SWITCH (LOCK) (PIN 1)	POWER COMPT DOOR LOCK RELAY (PIN 86)	EEW 18 WHT	AUDIO AMPLIFIER	CTR CHANNEL SPKR (-)
EEA 12 WHT	POWER COMPT DOOR LOCK SWITCH (UNLOCK) (PIN 5)	POWER COMPT DOOR UNLOCK RELAY (PIN 86)	EEX 12/10 YEL	PASSENGER AUTO A/C FEED CIRCUIT	PASSENGER AUTO A/C BLOWER (USE 10 IF OVER 6')
EEB 12 WHT	POWER COMPT DOOR LOCK RELAYS (LEFT SIDE)	GROUND	EEY 10 WHT	PASSENGER AUTO A/C MOTOR	GROUND

WIRE IDENTIFICATION CHART

CODE/COLOR	FROM:	TO:	CODE/COLOR	FROM:	TO:
EEZ 12/10 YEL	OVERCURRENT PROTECTION (30A BREAKER TYPICAL)	PASSENGER HI-SPEED HEATER FAN (USER 10 IF OVER 6')	FFV 16 YEL	AWNING SELECTOR SWITCH (PATIO AWNING)	AWNING CONTROL SWITCH (PATIO AWNING)
FFA 10 YEL	PASSENGER HEATER BLOWER CIRCUIT BREAKER	PASSENGER HEATER BLOWER RELAY	FFW 14 YEL	LOUNGE LAMPS SWITCH #1	LOUNGE LAMPS SWITCH #2
FFB 10 YEL	OVERCURRENT PORTECTION (30A BREAKER TYPICAL)	POWER LOUNGE CHAIR	FFX 14 YEL	LOUNGE LAMPS SWITCH #1	LOUNGE LAMPS SWITCH #2
FFC 10 WHT	POWER LOUNGE CHAIR	GROUND	FFY 14 YEL	CEILING FAN SWITCH	CEILING FAN
FFD 12 YEL	OVERCURRENT PROTECTION (30A BREAKER TYPICAL)	AWNING CONTROL BOX (12V POSITIVE)	FFZ 14 YEL	OVERCURRENT PROTECTION (15A FUSE/BREAKER TYPICAL)	COACH LIGHTING,ETC CIRCUIT #7 (REF GGA)
FFE 12 WHT	AWNING CONTROL BOX	GROUND	GGA 14 WHT	COACH LIGHTING (REF-FFZ)	GROUND
FFF 12 YEL	AWNING CONTROL BOX	DOOR AWNING (+) EXTEND	GGB 14 YEL	POWER LIFT VENT	POWER LIFT SWITCH (UP)
FFG 12 WHT	AWNING CONTROL BOX	DOOR AWNING (-) EXTEND	GGC 14 YEL	POWER LIFT VENT	POWER LIFT SWITCH (DOWN)
FFH 12 YEL	AWNING CONTROL BOX	PATIO AWNING (MOTOR POSITIVE)	GGD 16 YEL	CONTROL MODULE (LEFT FRONT SLIDE)(STOP)	SLIDEOUT SWITCH (LEFT FRONT SLIDE)
FFJ 12 WHT	PATIO AWNING (MOTOR GROUND)	AWNING CONTROL BOX	GGE 16 YEL	CONTROL MODULE (LEFT FRONT SLIDE)(GREEN LED)	SLIDEOUT SWITCH (LEFT FRONT SLIDE)
FFK 16 YEL	AWNING CONTROL BOX	DOOR AWNING SWITCH (EXTEND)	GGF 16 YEL	CONTROL MODULE (LEFT FRONT SLIDE)(RED LED)	SLIDEOUT SWITCH (LEFT FRONT SLIDE)
FFL 16 YEL	DOOR AWNING SWITCH (COMMON)	AWNING CONTROL BOX	GGG 16 YEL	CONTROL MODULE (LEFT FRONT SLIDE)(SIGNAL)	LEFT FRONT SLIDE,FRONT RAM (ENCODER)
FFM 16 YEL	AWNING CONTROL BOX	DOOR AWNING SWITCH (RETRACT)	GGH 16 YEL	CONTROL MODULE (LEFT FRONT SLIDE)(+)	LEFT FRONT SLIDE,FRONT RAM (ENCODER)
FFN 16 YEL	AWNING CONTROL BOX	PATIO AWNING SWITCH (EXTEND)	GGJ 16 WHT	CONTROL MODULE (LEFT FRONT SLIDE)(-)	LEFT FRONT SLIDE,FRONT RAM (ENCODER)
FFP 16 YEL	PATIO AWNING SWITCH (COMMON)	AWNING CONTROL BOX	GGK 16 YEL	CONTROL MODULE (LEFT FRONT SLIDE)(SIGNAL)	LEFT FRONT SLIDE,REAR RAM (ENCODER)
FFR 16 YEL	AWNING CONTROL BOX	PATIO AWNING SWITCH (RETRACT)	GGL 16 YEL	CONTROL MODULE (LEFT FRONT SLIDE)(+)	LEFT FRONT SLIDE,REAR RAM (ENCODER)
FFS 14 WHT	RELAY (PIN 30)	AWNING CONTROL BOX	GGM 16 WHT	CONTROL MODULE (LEFT FRONT SLIDE)(-)	LEFT FRONT SLIDE,REAR RAM (ENCODER)
FFT 14 WHT	PATIO AWNING SWITCH	AWNING CONTROL BOX	GGN 12 YEL	CONTROL MODULE (RAM #2)	SLIDEOUT ACTUATOR DRIVE LEAD #1
FFU 16 YEL	AWNING SELECTOR SWITCH (DOOR AWNING)	AWNING CONTROL SWITCH (DOOR AWNING)	GGP 12 YEL	CONTROL MODULE (RAM #2)	SLIDEOUT ACTUATOR DRIVE LEAD #2

WIRE IDENTIFICATION CHART

CODE/COLOR	FROM:	TO:	CODE/COLOR	FROM:	TO:
GGR 16 YEL	FRONT ROOF HEAT PUMP	THERMOSTAT (W TERMINAL)	HHL 14 YEL	DRIVER'S POWER SUNVISOR SWITCH	DRIVER'S POWER SUNVISOR
GGG 16 YEL	REAR ROOF HEAT PUMP	THERMOSTAT (W TERMINAL)	HHM 14 YEL	PASS POWER SUNVISOR SWITCH	PASS POWER SUNVISOR
GGT 12 YEL	SOFA RECLINER SWITCH EXTEND	SOFA RECLINER MOTOR SOFA 4-WAY	HHN 14 YEL	PASS POWER SUNVISOR SWITCH	PASS POWER SUNVISOR
GGU 12 YEL	SOFA RECLINER SWITCH RETRACT	SOFA RECLINER MOTOR SOFA 4-WAY	HHP 14 YEL	HOT WATER HEAT CONTROL BOARD (F1)	ZONE 1 FAN SPEED SWITCH
GGV 14 WHT	GPS (BLACK WIRE)	GROUND	HHR 14 YEL	ZONE 1 FAN SPEED SWITCH	ZONE 1 HEATER FAN
GGW 16 YEL	GPS (GREEN/WHITE WIRE)	VEHICLE SPEED SENSOR (CHASSIS SUPPLIED)	HHS 16 YEL	HOT WATER HEAT CONTROL BOARD (TC)	ZONE 2 & 3 THERMOSTAT
GGX 14 YEL	10 OHM RESISTOR *	BEDROOM CEILING FAN (LOW SPEED)	HHT 16 YEL	HOT WATER HEAT CONTROL BOARD (T2)	ZONE 2 THERMOSTAT
GGY 14 YEL	BATHROOM VENT SWITCH	BATHROOM VENT	HHU 14 YEL	HOT WATER HEAT CONTROL BOARD (F2)	ZONE 2 FAN SPEED SWITCH
GGZ 14 YEL	BEDROOM VENT SWITCH	BEDROOM VENT	HHV 14 YEL	ZONE 2 FAN SPEED SWITCH	ZONE 2 HEATER FAN
HHA 14 YEL	OVERCURRENT PROTECTION (15A FUSE/BREAKER TYPICAL)	COACH VENTS/LAMPS (REF HHB)	HHW 16 YEL	HOT WATER HEAT CONTROL BOARD (T3)	ZONE 3 THERMOSTAT
HHB 14 WHT	COACH VENTS/LAMPS (REF HHA)	GROUND	HHX 14 YEL	HOT WATER HEAT CONTROL BOARD (F3)	ZONE 3 HEATER FAN
HHC 12 YEL	STEP COVER SWITCH	STEP COVER MOTOR (+)RETRACT, (-)EXTEND	HHY 16 WHT	AWNING CONTROL BOX	WIND SENSOR (NEGATIVE)
HHD 12 YEL	STEP COVER SWITCH	STEP COVER MOTOR (-)EXTEND, (+)RETRACT	HHZ 16 YEL	AWNING CONTROL BOX	WIND SENSOR (POSITIVE)
HHE 16 YEL	SLIDEOUT ROOM SWITCH (ROOM THREE EXTEND)	HWH WIRING (ROOM THREE EXTEND)	JJA 16 YEL	AWNING CONTROL BOX	WIND SENSOR TEMPERATURE OUTPUT
HHF 16 YEL	SLIDEOUT ROOM SWITCH (ROOM THREE RETRACT)	HWH WIRING (ROOM THREE RETRACT)	JJB 16 YEL	AWNING CONTROL BOX	WIND SENSOR SPEED OUTPUT
HHG 16 YEL	SLIDEOUT ROOM SWITCH (ROOM FOUR EXTEND)	HWH WIRING (ROOM FOUR EXTEND)	JJC 14 YEL	ENGINE HEATER CIRCULATING PUMP SWITCH	HOT WATER HEAT CONTROL PANEL (BLU/BLK WIRE)
HHH 16 YEL	SLIDEOUT ROOM SWITCH (ROOM FOUR RETRACT)	SLIDEOUT ROOM SWITCH (ROOM FOUR RETRACT)	JJD 10 YEL	OVERCURRENT PROTECTION (25 FUSE TYPICAL)	HOT WATER HEAT CONTROL BOARD
HHJ 14 YEL	110V WATER HEATER TRIGGER SWITCH	WATER HEATER RELAY	JJE 10 WHT	HOT WATER HEAT CONTROL BOARD	GROUND
HHK 14 YEL	DRIVER'S POWER SUNVISOR SWITCH	DRIVER'S POWER SUNVISOR	JJF 14 YEL	SATELLITE POWER SWITCH	SATELLITE-AUTO SEEK

WIRE IDENTIFICATION CHART

CODE/COLOR	FROM:	TO:	CODE/COLOR	FROM:	TO:
JJG 12 YEL	OVERCURRENT PROTECTION (20 AMP BREAKER TYPICAL)	SLIDEOUT ROOM CONTROL SWITCH (RAM #3)	KKC 12 YEL	POWER SEAT RELAY	POWER SEAT (HEATER)
JJH 12 WHT	SLIDEOUT ROOM CONTROL SWITCH (RAM #3)	GROUND	KKD 16 YEL	CONFIRMATION EMERGENCY SHUT OFF SWITCH (IN COACH)	EMERGENCY SHUT OFF SWITCH (ON REMOTE FILL BRACKET)
JJJ 12 YEL	SLIDEOUT ROOM CONTROL SWITCH (RAM #3)	SLIDEOUT DRIVE MOTOR LEAD #1	KKE 16 YEL	EMERGENCY SHUT OFF SWITCH (ON REMOTE FILL BRACKET)	EMERGENCY SHUT OFF SOLENOID (ON LP TANK)
JJK 12 YEL	SLIDEOUT ROOM CONTROL SWITCH (RAM #3)	SLIDEOUT DRIVE MOTOR LEAD #2	KKF 6 BLK	BATTERY DISCONNECT RELAY	COACH BUSS BAR
JJL 12 YEL	OVERCURRENT PROTECTION (20 AMP BREAKER TYPICAL)	SLIDEOUT ROOM CONTROL SWITCH (RAM #2)	KKG 8 BLK	BATTERY MODE SOLENOID	CHASSIS BUSS BAR
JJM 16 YEL	HWH WIRING (SWITCHED BATTERY POWER)	SLIDEOUT ROOM SWITCH #2 (SWITCHED EXTEND/RETRACT PWR)	KKH 14 YEL	EXTERIOR SERVICE LAMP SWITCH #1	EXTERIOR SERVICE LAMP SWITCH #2
JJN 16 YEL	HWH WIRING (SWITCHED BATTERY POWER)	SLIDEOUT ROOM SWITCH #3 (SWITCHED EXTEND/RETRACT PWR)	KKJ 14 YEL	EXTERIOR SERVICE LAMP SWITCH #1	EXTERIOR SERVICE LAMP SWITCH #2
JJP 16 YEL	HWH WIRING (SWITCHED BATTERY POWER)	SLIDEOUT ROOM SWITCH #4 (SWITCHED EXTEND/RETRACT PWR)	KKK 16 YEL	HWH WIRING (SWITCHED BATTERY POWER)	SLIDEOUT ROOM #2 SWITCH (POSITIVE)
JJR 16 YEL	REMOTE SWITCH (EXTEND)	PATIO AWNING CONTROL MODULE (RELAY POSITION 87A,EXTEND)	KKL 16 YEL	HWH WIRING (SWITCHED BATTERY POWER)	SLIDEOUT ROOM #3 SWITCH (POSITIVE)
JJS 12 YEL	REMOTE SWITCH	DOOR AWNING CONTROL RELAY (RELAY POSITION 87A,EXTEND)	KKM 16 YEL	HWH WIRING (SWITCHED BATTERY POWER)	SLIDEOUT ROOM #4 SWITCH (POSITIVE)
JJT 14 YEL	OVERCURRENT PROTECTION (15A FUSE/BREAKER TYPICAL)	COACH 12V RECEPTACLES (REF JJU)	KKN 14 YEL	KEYLESS ENTRY PORCH LIGHT OUTPUT	PORCH/STEP/MAP LAMP
JJU 14 WHT	COACH 12V RECEPTACLES (REF JJT)	GROUND	KKP 14 YEL	LOUNGE CEILING ROPE LAMP SWITCH (CIRCUIT #1)	LOUNGE CEILING ROPE LAMP (REF CIRCUIT SSZ)
JJV 14 YEL	MONITOR PANEL LAMP SWITCH	MONITOR PANEL LAMP	KKR 14 YEL	BEDROOM CEILING ROPE LAMP SWITCH	BEDROOM CEILING ROPE LAMP
JJW 14 YEL	RUN ONLY POWER BREAKER	RUN ONLY POWER RELAY	KKS 14 YEL	BEDROOM VALANCE LAMP SWITCH	BEDROOM VALANCE LAMP
JJX 14 YEL	RUN ONLY POWER RELAY	GENERAL PURPOSE (RUN ONLY FEED)	KKT 14 YEL	BEDROOM "MOOD" LAMP SWITCH	BEDROOM "MOOD" LAMP
JJY 14 YEL	RUN/ACC POWER #1 BREAKER	RUN/ACC POWER #1 RELAY	KKU 16 YEL	REAR TV SPEAKER OUTPUT (RIGHT POSITIVE)	RIGHT SPEAKER (POSITIVE)
JJZ 14 YEL	RUN/ACC POWER #1 RELAY (REF LLD)	GENERAL PURPOSE (RUN/ACC FEED #1)	KKV 16 WHT	REAR TV SPEAKER OUTPUT (RIGHT NEGATIVE)	RIGHT SPEAKER (NEGATIVE)
KKA 14 YEL	RUN/ACC POWER #2 BREAKER	RUN/ACC POWER #2 RELAY	KKW 16 YEL	REAR TV SPEAKER OUTPUT (LEFT POSITIVE)	LEFT SPEAKER (POSITIVE)
KKB 14 YEL	RUN/ACC POWER #2 RELAY (REF LLE)	GENERAL PURPOSE (RUN/ACC FEED #2)	KKX 16 WHT	REAR TV SPEAKER OUTPUT (LEFT NEGATIVE)	LEFT SPEAKER (NEGATIVE)

WIRE IDENTIFICATION CHART

CODE/COLOR	FROM:	TO:	CODE/COLOR	FROM:	TO:
KKY 14 YEL	OVERCURRENT PROTECTION (15A FUSE/BREAKER TYPICAL)	COACH LIGHTING,ETC CIRCUIT #8 (REF KKZ)	LLU 10 YEL	CONTROL MODULE (LEFT FRONT SLIDE)	LT FRT SLIDE RR RAM (MOTOR DRIVE LINE)
KKZ 14 WHT	COACH LIGHTING (REF KKY)	GROUND	LLV 10 YEL	CONTROL MODULE (REAR SLIDE)	REAR SLIDEOUT RAM (MOTOR DRIVE LINE)
LLA 14 YEL	OVERCURRENT PROTECTION (15A FUSE/BREAKER TYPICAL)	COACH LIGHTING,ETC CIRCUIT #9 (REF LLB)	LLW 10 YEL	CONTROL MODULE (LEFT FRONT SLIDE)	LT FRT SLIDE RR RAM (MOTOR DRIVE LINE)
LLB 14 WHT	COACH LIGHTING (REF LLA)	GROUND	LLX 10 YEL	CONTROL MODULE (REAR SLIDE)	REAR SLIDEOUT RAM (MOTOR DRIVE LINE)
LLC 14 YEL	SEAT HEATER BREAKER (15 AMP BREAKER TYPICAL)	SEAT HEATER RELAY POSITION 30	LLY 16 WHT	CONTROL MODULE (REAR SLIDE)(GROUND)	SLIDEOUT SWITCH (REAR SLIDEOUT)
LLD 14 WHT	RUN/ACC FEED #1 (REF JJZ)	GROUND	LLZ 16 YEL	CONTROL MODULE (REAR SLIDE)(RETRACT)	SLIDEOUT SWITCH (REAR SLIDEOUT)
LLE 14 WHT	RUN/ACC FEED #2 (REF KKB)	GROUND	MMA 16 YEL	CONTROL MODULE (REAR SLIDE)(STOP)	SLIDEOUT SWITCH (REAR SLIDEOUT)
LLF 14 YEL	DOME LAMP RELAY	DOME LAMP	MMB 16 YEL	CONTROL MODULE (REAR SLIDE)(GREEN LED)	SLIDEOUT SWITCH (REAR SLIDEOUT)
LLG 10/12 YEL	TRAILER BRAKE SIGNAL (OUTPUT FROM CONTROLLER)	TRAILER CONNECTOR (ELECTRIC BRAKES)	MMC 16 YEL	CONTROL MODULE (REAR SLIDE)(EXTEND)	SLIDEOUT SWITCH (REAR SLIDEOUT)
LLH 14 WHT	RUN ONLY GROUND SOURCE (CHASSIS SUPPLIED)	AUX START RELAY	MMD 16 YEL	CONTROL MODULE (REAR SLIDE)(RED LED)	SLIDEOUT SWITCH (REAR SLIDEOUT)
LLJ 14 YEL	AUX START RELAY (RUN ONLY POWER)	AUX START SWITCH	MME 10 YEL	CHASSIS SIDE OF SOLENOID (FRT LT/REAR SLIDE RAMS)	BREAKER PANEL BUSS BAR (FRT LT/REAR SLIDE RAMS)
LLK 10 YEL	CHASSIS BREAKER PANEL (LH FRT SLIDE)(FRT RAM)	CONTROL MODULE (LH FRT SLIDE)	MMF 10 YEL	CHASSIS SIDE OF SOLENOID (FRT RT SLIDE RAMS)	BREAKER PANEL BUSS BAR (FRT RT SLIDE RAMS)
LLL 10 WHT	CHASSIS GROUND BAR (LH FRT SLIDE)(FRT RAM)	CONTROL MODULE (LH FRT SLIDE)	MMG 10 YEL	CHASSIS SIDE OF SOLENOID (REAR SLIDE RAM)	BREAKER PANEL (REAR SLIDE RAM)
LLM 10 YEL	CHASSIS BREAKER PANEL (LH FRT SLIDE)(REAR RAM)	CONTROL MODULE (LH FRT SLIDE)	MMH 16 YEL	OVERCURRENT PROTECTION (6 AMP BREAKER TYPICAL)	POWER SUNVISOR SWITCH
LLN 10 WHT	CHASSIS GROUND BAR (LH FRT SLIDE)(REAR RAM)	CONTROL MODULE (LH FRT SLIDE)	MMJ 16 WHT	GROUND	POWER SUNVISOR SWITCH
LLP 10 YEL	CHASSIS BREAKER PANEL (REAR SLIDE RAM)	CONTROL MODULE (REAR SLIDE)	MMK 16 YEL	BEDROOM STEREO (LEFT SPEAKER REF)	CROSS OVER BOX (POSITIVE)
LLR 10 WHT	CHASSIS GROUND BAR (REAR SLIDE RAM)	CONTROL MODULE (REAR SLIDE)	MML 16 WHT	BEDROOM STEREO (LEFT SPEAKER REF)	CROSS OVER BOX (NEGATIVE)
LLS 10 YEL	CONTROL MODULE (LEFT FRONT SLIDE)	LT FRT SLIDE FRT RAM (MOTOR DRIVE LINE)	MMM 16 YEL	BEDROOM STEREO (RIGHT SPEAKER REF)	CROSS OVER BOX (POSITIVE)
LLT 10 YEL	CONTROL MODULE (LEFT FRONT SLIDE)	LT FRT SLIDE FRT RAM (MOTOR DRIVE LINE)	MMN 16 WHT	BEDROOM STEREO (RT/WOOFER SPKER REF)	CROSS OVER BOX (NEGATIVE)

WIRE IDENTIFICATION CHART

CODE/COLOR	FROM:	TO:	CODE/COLOR	FROM:	TO:
MMP 16 YEL	CROSS OVER COIL (POSITIVE)	SUBWOOFER (BEDROOM)	NNK 16 YEL	KEYLESS ENTRY TOUCH PAD SIGNAL	ENTRANCE DOOR TOUCH PAD
MMR 14 YEL	CHASSIS TOW MARKER LAMPS CIRCUIT	TRAILER CONNECTOR (TAIL/MARKER LAMPS)	NNL 16 YEL	PASSENGER TEMP CONTROL (CONTROL OUT)	PASSENGER AC/HEATER
MMS 12 YEL	+12V	PASSENGER AC/HEATER CONTROLS	NNM 16 YEL	PASSENGER VENT CONTROL (CONTROL OUT)	PASSENGER VENT
MMT 12 YEL	PASSENGER FAN SWITCH (LOW SPEED)	PASSENGER FAN	NNN 16 YEL	CONTROL MODULE (RIGHT FRONT SLIDE)(STOP)	SLIDEOUT SWITCH (RIGHT FRONT SLIDE)
MMU 12 YEL	PASSENGER FAN SWITCH (MED SPEED)	PASSENGER FAN	NNP 16 YEL	CONTROL MODULE (RIGHT FRONT SLIDE)(GREEN LED)	SLIDEOUT SWITCH (RIGHT FRONT SLIDE)
MMV 12 YEL	PASSENGER FAN SWITCH (HIGH SPEED)	PASSENGER FAN	NNR 16 YEL	CONTROL MODULE (RIGHT FRONT SLIDE)(RED LED)	SLIDEOUT SWITCH (RIGHT FRONT SLIDE)
MMW 16 YEL	+12V	PASSENGER CONTROL PANEL LAMPS	NNS 16 WHT	CONTROL MODULE (RIGHT FRONT SLIDE)(GROUND)	SLIDEOUT SWITCH (RIGHT FRONT SLIDEOUT)
MMX 16 WHT	PASSENGER CONTROL PANEL LAMPS	GROUND	NNT 16 YEL	CONTROL MODULE (RIGHT FRONT SLIDE)(SIGNAL)	RIGHT FRONT SLIDE,FRONT RAM (ENCODER)
MMY 16 WHT	PASSENGER TEMP AND VENT CONTROL	GROUND	NNU 16 YEL	CONTROL MODULE (RIGHT FRONT SLIDE)(+)	RIGHT FRONT SLIDE,FRONT RAM (ENCODER)
MMZ 12 YEL	SLIDEOUT ROOM CONTROL SWITCH (RAM #1)	SLIDEOUT DRIVE MOTOR LEAD #1	NNV 16 WHT	CONTROL MODULE (RIGHT FRONT SLIDE)(-)	RIGHT FRONT SLIDE,FRONT RAM (ENCODER)
NNA 12 YEL	SLIDEOUT ROOM CONTROL SWITCH (RAM #1)	SLIDEOUT DRIVE MOTOR LEAD #2	NNW 16 YEL	CONTROL MODULE (RIGHT FRONT SLIDE)(SIGNAL)	RIGHT FRONT SLIDE,REAR RAM (ENCODER)
NNB 16 YEL	CONTROL MODULE (FRONT SLIDE) (SIGNAL)	FRONT SLIDE FRONT RAM (ENCODER)	NNX 16 YEL	CONTROL MODULE (RIGHT FRONT SLIDE)(+)	RIGHT FRONT SLIDE,REAR RAM (ENCODER)
NNC 16 YEL	CONTROL MODULE (FRONT SLIDE) (+)	FRONT SLIDE FRONT RAM (ENCODER)	NNY 16 WHT	CONTROL MODULE (RIGHT FRONT SLIDE)(-)	RIGHT FRONT SLIDE,REAR RAM (ENCODER)
NND 16 WHT	CONTROL MODULE (FRONT SLIDE) (-)	FRONT SLIDE FRONT RAM (ENCODER)	NNZ 10 YEL	CHASSIS BREAKER PANEL (RH FRT SLIDE)(FRT RAM)	CONTROL MODULE (RIGHT FRONT SLIDE)
NNE 16 YEL	CONTROL MODULE (FRONT SLIDE) (SIGNAL)	FRONT SLIDE REAR RAM (ENCODER)	PPA 10 WHT	CHASSIS GROUND BAR (RH FRT SLIDE)(FRT RAM)	CONTROL MODULE (RIGHT FRONT SLIDE)
NNF 16 YEL	CONTROL MODULE (FRONT SLIDE) (+)	FRONT SLIDE REAR RAM (ENCODER)	PPB 10 YEL	CHASSIS BREAKER PANEL (RH FRT SLIDE)(REAR RAM)	CONTROL MODULE (RIGHT FRONT SLIDE)
NNG 16 WHT	CONTROL MODULE (FRONT SLIDE) (-)	FRONT SLIDE REAR RAM (ENCODER)	PPC 10 WHT	CHASSIS GROUND BAR (RH FRT SLIDE)(REAR RAM)	CONTROL MODULE (RIGHT FRONT SLIDE)
NNH 12 YEL	CONTROL MODULE (RAM #2)	SLIDEOUT ACTURATOR DRIVE LEAD #1	PPD 10 YEL	CONTROL MODULE (RIGHT FRONT SLIDE)	RH FRT SLIDE FRT RAM (MOTOR DRIVE LINE)
NNJ 12 YEL	CONTROL MODULE (RAM #2)	SLIDEOUT ACTURATOR DRIVE LEAD #2	PPE 10 YEL	CONTROL MODULE (RIGHT FRONT SLIDE)	RH FRT SLIDE FRT RAM (MOTOR DRIVE LINE)

WIRE IDENTIFICATION CHART

CODE/COLOR	FROM:	TO:	CODE/COLOR	FROM:	TO:
PPF 10 YEL	CONTROL MODULE (RIGHT FRONT SLIDE)	RH FRT SLIDE RR RAM (MOTOR DRIVE LINE)	RRB 14 YEL	GENERAL SWITCH	GENERAL LAMP
PPG 10 YEL	CONTROL MODULE (RIGHT FRONT SLIDE)	RH FRT SLIDE RR RAM (MOTOR DRIVE LINE)	RRC 14 YEL	GENERAL SWITCH	GENERAL LAMP
PPH 14 YEL	CHASSIS CLEARANCE LAMPS CRT #2 (REF MM)	CLEARANCE/MARKER LAMPS	RRD 14 YEL	GALLEY CEILING FAN SWITCH	GALLEY CEILING FAN
PPJ 14 YEL	PASSENGER SUNVISOR SWITCH DRIVER'S SIDE	PASSENGER SUNVISOR SWITCH PASSENGER'S SIDE	RRE 14 YEL	10 OHM RESISTOR	LOUNGE CEILING FAN (LOW SPEED)
PPK 14 YEL	PASSENGER SUNVISOR SWITCH DRIVER'S SIDE	PASSENGER SUNVISOR SWITCH PASSENGER'S SIDE	RRF 14 YEL	BEDROOM READING LAMP SWITCH	BEDROOM READING LAMP
PPL 14 YEL	DASH RADIO ACCESSORY POWER	TV/RADIO SPEAKER SELECTOR SWITCH	RRG 14 YEL	BEDROOM READING LAMP SWITCH #1 (2 SWITCH SYSTEM)	BEDROOM READING LAMP SWITCH #2 (2 SWITCH SYSTEM)
PPM 12 YEL	OVERCURRENT PROTECTION (15A BREAKER TYPICAL)	LEFT FRONT SLIDEOUT LOCK SWITCH	RRH 14 YEL	BEDROOM READING LAMP SWITCH #1 (2 SWITCH SYSTEM)	BEDROOM READING LAMP SWITCH #2 (2 SWITCH SYSTEM)
PPN 12 WHT	LEFT FRONT SLIDEOUT LOCK SWITCH (REF PPM)	GROUND	RRJ 12 WHT	SEVEN PIN CONNECTOR (TRAILER CONNECTOR)	GROUND
PPP 12 YEL	OVERCURRENT PROTECTION (15A BREAKER TYPICAL)	RIGHT FRONT SLIDEOUT LOCK SWITCH	RRK 16 YEL	2ND GALLEY HOLDING TANK	SELECTOR SWITCH
PPR 12 WHT	RIGHT FRONT SLIDEOUT LOCK SWITCH (REF PPP)	GROUND	RRL 16 YEL	HOLDING TANK SELECTOR SWITCH	MONITOR PANEL
PPS 12 YEL	LEFT FRONT SLIDEOUT LOCK SWITCH	LEFT FRONT SLIDEOUT LOCK MOTOR	RRM 14 YEL	CENTER POWER SUNVISOR SWITCH	CENTER SUNVISOR
PPT 12 YEL	LEFT FRONT SLIDEOUT LOCK SWITCH	LEFT FRONT SLIDEOUT LOCK MOTOR	RRN 14 YEL	CENTER POWER SUNVISOR SWITCH	CENTER SUNVISOR
PPU 12 YEL	RIGHT FRONT SLIDEOUT LOCK SWITCH	RIGHT FRONT SLIDEOUT LOCK MOTOR	RRP 16 YEL	THERMOSTAT (LOW STAGE)	FURNACE (LOW STAGE)
PPV 12 YEL	RIGHT FRONT SLIDEOUT LOCK SWITCH	RIGHT FRONT SLIDEOUT LOCK MOTOR	RRR 16 YEL	THERMOSTAT (HIGH STAGE)	FURNACE (HIGH STAGE)
PPW 14 YEL	SLIDEOUT LOCK SWITCH W/SLIDEOUT SWITCH #1 IN DASH	SLIDEOUT ROOM #1 SWITCH (POSITIVE)	RRS 16 YEL	SLIDEOUT LOCK SWITCH (#1)	SLIDEOUT LOCK SWITCH (#2)
PPX 14 YEL	SLIDEOUT LOCK SWITCH W/SLIDEOUT SWITCH #3 IN DASH	SLIDEOUT ROOM #3 SWITCH (POSITIVE)	RRT 16 YEL	AWNING CONTROL BOX (LOCATED IN HOUSING PIN 1)	DOOR AWNING LIMIT SWITCH (LOCATED IN HOUSING PIN 1)
PPY 14 YEL	SLIDEOUT LOCK SWITCH W/SLIDEOUT SWITCH #4 IN DASH	SLIDEOUT ROOM #4 SWITCH (POSITIVE)	RRU 16 WHT	AWNING CONTROL BOX (LOCATED IN HOUSING PIN 2)	DOOR AWNING LIMIT SWITCH (LOCATED IN HOUSING PIN 2)
PPZ 12 YEL	CHASSIS SUPPLIED WIRING	TRAILER TOW BATTERY FEED (7 WAY TOW CONNECTOR)	RRV 14 YEL	VIDEO CAMERA SWITCHER	MONITOR
RRA 14 YEL	GENERAL SWITCH	GENERAL LAMP	RRW 14 YEL	LOCKOUT POSITIONING SWITCH	FIREPLACE LOCKOUT RECP

WIRE IDENTIFICATION CHART

CODE/COLOR	FROM:	TO:	CODE/COLOR	FROM:	TO:
RRX 10 YEL	12V BREAKER PANEL (30 AMP TYPICAL)	SMART FUSE BLOCK (POSITIVE)	SST 14 YEL	GALLEY LAMP SWITCH #1	GALLEY LAMP SWITCH #2
RRY 18 YEL	SMART FUSE BLOCK (COMMUNICATION BUS)	SMART FUSE SWITCH PANEL	SSU 14 YEL	GALLEY LAMP SWITCH #1	GALLEY LAMP SWITCH #2
RRZ 18 WHT	SMART FUSE BLOCK (COMMUNICATION GROUND)	SMART FUSE SWITCH PANEL	SSV 14 YEL	BATH CEILING LAMP SWITCH #1 (2 SWITCH SYSTEM)	BATH CEILING LAMP SWITCH #2 (2 SWITCH SYSTEM)
SSA 14 WHT	FRONT LEFT SLIDE LOCK (INDICATOR OUTPUT-GROUND)	FRONT LEFT LOCK SWITCH LED	SSW 14 YEL	BATH CEILING LAMP SWITCH #1 (2 SWITCH SYSTEM)	BATH CEILING LAMP SWITCH #2 (2 SWITCH SYSTEM)
SSB 14 WHT	FRONT RIGHT SLIDE LOCK (INDICATOR OUTPUT-GROUND)	FRONT RIGHT LOCK SWITCH LED	SSX 12 YEL	DOOR AWNING SWITCH	DOOR AWNING CONTROL RELAY (RELAY POSITION 87A EXTEND)
SSC 14 YEL	JACK CONTROL PANEL (LEVEL)	REMOTE AUTO LEVEL SWITCH	SSY 12 WHT	DOOR AWNING SWITCH	DOOR AWNING LIMIT SWITCH
SSD 14 YEL	JACK CONTROL PANEL (STORE)	REMOTE AUTO LEVEL SWITCH	SSZ 14 YEL	LOUNGE CEILING ROPE LAMP SWITCH (CIRCUIT #2)	LOUNGE CEILING ROPE LAMP (REF CIRCUIT KKP)
SSE 14 YEL	JACK CONTROL PANEL (COMMON)	REMOTE AUTO LEVEL SWITCH (+)HWH (-)KWIKEE	TTA 14 YEL	LEVELING SYSTEM CONTROLS	INDICATOR LAMP/ALARM (POSITIVE)
SSF 14 YEL	JACK CONTROL PANEL (INDICATOR LED)	REMOTE AUTO LEVEL SWITCH (-)HWH (+)KWIKEE	TTB 14 WHT	LEVELING SYSTEM CONTROLS	INDICATOR LAMP/ALARM (NEGATIVE)
SSG 18 YEL	TRANSFORMER	AUTO GENERATOR START MONITOR PANEL	TTC 10 YEL	CHASSIS BATTERY	SLIDEOUT LOCK BREAKER
SSH 18 WHT	TRANSFORMER	AUTO GENERATOR START MONITOR PANEL	TTD 14 YEL	VEHICLE LEFT HEADLAMP HI BEAM CIRCUIT	LEFT HI BEAM LAMP
SSJ 10 YEL	BRAKE CONTROLLER POWER (30-AMP BREAKER TYPICAL)	BRAKE CONTROLLER (POWER INPUT)	TTE 14 YEL	RELAY	RIGHT DOCKING LAMP
SSK 14 WHT	BRAKE CONTROLLER (GROUND)	GROUND	TTF 14 YEL	RELAY	LEFT DOCKING LAMP
SSL 14 YEL	CHASSIS REAR LAMP WIRING (LEFT TURN ONLY)	LEFT TURN SIGNAL *NOT COMBO TURN/BRAKE*	TTG 18 YEL	FRONT THERMOSTAT (MAIN)	REMOTE SENSOR
SSM 14 YEL	CHASSIS REAR LAMP WIRING (RIGHT TURN ONLY)	RIGHT TURN SIGNAL *NOT COMBO TURN/BRAKE*	TTH 18 YEL	FRONT THERMOSTAT (MAIN)	REMOTE SENSOR
SSN 18 WHT	FRONT RIGHT SLIDEOUT LOCK END SWITCH (FROM NNS)	CONTROL MODULE (RIGHT FRONT SLIDE)(GROUND)	TTJ 14 YEL	BRAKE LAMP CIRCUIT BREAKER	BRAKE LAMP RELAY
SSP 18 WHT	LEFT FRONT SLIDEOUT LOCK END SWITCH (FROM DS)	CONTROL MODULE (LEFT FRONT SLIDE)(GROUND)	TTK 14 YEL	RIGHT TURNLAMP CIRCUIT BREAKER	RIGHT TURN LAMP RELAY
SSR 16 YEL	EXTERIOR HOLDING TANK SELECTOR SWITCH	EXTERIOR MONITOR PANEL	TTL 14 YEL	LEFT TURN LAMP CIRCUIT BREAKER	LEFT TURN LAMP RELAY
SSS 16 YEL	EXTERIOR HOLDING TANK SELECTOR SWITCH	2ND GALLEY HOLDING TANK	TTM 14 YEL	BACKUP LAMP CIRCUIT BREAKER	BACKUP LAMP RELAY

WIRE IDENTIFICATION CHART

CODE/COLOR	FROM:	TO:	CODE/COLOR	FROM:	TO:
TTN 14 YEL	PARK LAMP CIRCUIT BREAKER	PARK LAMP RELAY	UUJ 12 YEL	TRAILER BATTERY BREAKER	TRAILER BATTERY RELAY
TTP 12 YEL	AWNING CONTROL BOX	PATIO AWNING #2 (MOTOR POSITIVE)	UUK 18 YEL	AWNING CONTROL BOX (LOW WIND SPEED SETTING)	AWNING WIND SPEED SWITCH (LOW WIND SPEED)
TTR 12 WHT	AWNING CONTROL BOX	PATIO AWNING #2 (MOTOR GROUND)	UUL 18 YEL	AWNING CONTROL BOX (MEDIUM WIND SPEED SETTING)	AWNING WIND SPEED SWITCH (MEDIUM WIND SPEED, COMMON)
TTS 16 YEL	AWNING CONTROL BOX	PATIO AWNING #2 (SWITCH EXTEND)	UUM 18 YEL	AWNING CONTROL BOX (HIGH WIND SPEED SETTING)	AWNING WIND SPEED SWITCH (HIGH WIND SPEED)
TTT 16 YEL	AWNING CONTROL BOX	PATIO AWNING #2 (SWITCH COMMON)	UUN 18 YEL	AWNING #2 CONTROL BOX (LOW WIND SPEED SETTING)	AWNING #2 WIND SPEED SWITCH (LOW WIND SPEED)
TTU 16 YEL	AWNING CONTROL BOX	PATIO AWNING #2 (SWITCH RETRACT)	UUP 18 YEL	AWNING #2 CONTROL BOX (MEDIUM WIND SPEED SETTING)	AWNING #2 WIND SPEED SWITCH (MEDIUM WIND SPEED, COMMON)
TTV 16 YEL	AWNING CONTROL BOX	WIND SENSOR #2 (POSITIVE)	UUR 18 YEL	AWNING #2 CONTROL BOX (HIGH WIND SPEED SETTING)	AWNING #2 WIND SPEED SWITCH (HIGH WIND SPEED)
TTW 16 YEL	AWNING CONTROL BOX	WIND SENSOR #2 (NEGATIVE)			
TTX 16 YEL	AWNING CONTROL BOX	WIND SENSOR #2 (SPEED OUTPUT)			
TTY 18 YEL	CHASSIS BATT DISCONNECT RELAY (TERMINAL I)	CHASSIS BATT DISCONNECT SWITCH			
TTZ 18 YEL	CHASSIS BATT DISCONNECT RELAY (TERMINAL S)	CHASSIS BATT DISCONNECT SWITCH			
UUA 18 YEL	CHASSIS BATT DISCONNECT RELAY LOAD SIDE FUSE FEED	CHASSIS BATT DISCONNECT SWITCH INDICATOR LAMP			
UUB 18 YEL	CHASSIS BATT DISCONNECT LOCKOUT RELAY-NC CONTACT	CHASSIS BATT DISCONNECT RELAY SWITCH			
UUC 18 WHT	CHASSIS BATT DISCONNECT SWITCH	GROUND			
UUD 12 YEL	RIGHT REAR SLIDEOUT LOCK SWITCH	RIGHT REAR SLIDEOUT LOCK MOTOR			
UUE 12 YEL	RIGHT REAR SLIDEOUT LOCK SWITCH	RIGHT REAR SLIDEOUT LOCK MOTOR			
UUF 16 YEL	BATTERY MAINTAINER	CHASSIS BATTERY			
UUG 18 YEL	CHASSIS BATT DISCONNECT RELAY BATTERY SIDE FUSE FEED	CHASSIS BATT DISCONNECT RELAY COMMON CONTACT			
UUH 18 YEL	THERMOSTAT AGS OUTPUT 9 PIN HSG POSITION 3	AUTO GEN START MODULE POSITION 10			