

INDEX

SHEET NUMBER	SHEET NAME	PAGE NUMBER	SYSTEM/SUBSYSTEM DESCRIPTION	DATE
1	INDEX	1	INDEX, OPTIONS	01AUG06
		2	LEGEND/WIRE INFORMATION, NOTES	01AUG06
9	VEHICLE ZONING	1	VEHICLE ZONING, CONNECTOR NUMBERS	01AUG06
10	POWER DISTRIBUTION	1	STARTER / ALTERNATOR / HOT AT ALL TIMES DISTRIBUTIONS	01AUG06
		2	IGNITION SWITCH / HOT IN RUN DISTRIBUTIONS / CRANK DISTRIBUTIONS / IGN-RUN-ACC RELAY	01AUG06
		3	HOT AT ALL TIME DISTRIBUTIONS	01AUG06
		4	HOT IN OFF RUN AND CRANK DISTRIBUTIONS / HOT IN RUN AND CRANK DISTRIBUTIONS	01AUG06
		5	HOT WITH HEAD LAMP SWITCH ON DISTRIBUTIONS / HOT AT ALL TIMES DISTRIBUTIONS	01AUG06
		6	HOT IN RUN / HOT IN RUN AND ACCESSORY / HOT IN RUN AND CRANK DISTRIBUTIONS / IGN-RUN AND IGN-RUN-CRANK RELAYS	01AUG06
11	FUSE BLOCK	1	ENGINE UNDERHOOD FUSE BLOCK	01AUG06
		2	I/P EXTN FUSE BLOCK	01AUG06
13	I/P EXTN CONVENIENCE CENTER	1	I/P EXTN CONVENIENCE CENTER - WIRING	01AUG06
		2	I/P EXTN CONVENIENCE CENTER - PICTORIAL, BODY BUILDER INTERFACE INFORMATION	01AUG06
14	GROUND DISTRIBUTION	1	VEHICLE GROUND ZONING	01AUG06
		2	ENG HARNESS LOGIC GROUND/FORWARD LAMP HARNESS GROUND / I/P HARNESS LOGIC GROUND / I/P EXTN HARNESS LOGIC GROUND	01AUG06
		3	ENG HARNESS GROUND / ENG HARNESS ABS GROUND	01AUG06
		4	I/P HARNESS GROUND / I/P EXTN HARNESS GROUND / CHAS HARNESS GROUND / TAIL HARNESS GROUND	01AUG06
20	POWERTRAIN	1	V8 SEQ MFI GAS W/AUTO TRANS M74 / POWERTRAIN CONTROL MODULE / CYLINDERS COILS / COOLANT TEMP & OIL PRESSURE SENSORS	01AUG06
		2	POWERTRAIN CONTROL MODULE / FUEL INJECTORS / OXYGEN SENSORS	01AUG06
		3	TRANSMISSION CONTROL MODULE / TRANSMISSION	01AUG06
		4	POWERTRAIN CONTROL MODULE / TRANSMISSION CONTROL MODULE / PARK & REVERSE RELAYS / O/D POWER SELECT SWITCH / GRADE BRAKE SELECT SW	01AUG06
		5	POWERTRAIN CONTROL MODULE / MANIFOLD AIR PRESSURE (MAP), MASS AIR FLOW (MAF), CRANKSHAFT, CAMSHAFT, OIL LEVEL, KNOCK SENSORS	01AUG06
		6	THROTTLE POSITION CONTROL MODULE & SENSOR / THROTTLE ACTUATOR CONTROL VALVE	01AUG06
		7	ELECTRONIC SHIFT ACTUATOR MOTOR / ELECTRONIC CONTROL SHIFT (ECS) KEYPAD MODULE	01AUG06
34	CRUISE CONTROL	1	CRUISE CONTROL SWITCH	01AUG06
35	FUEL DELIVER AND EVAP EMISSIONS	1	FUEL PUMP & SENDER / FUEL PUMP RELAY / EVAP EMISSIONS PURGE VALVE	01AUG06
36	ADJUSTABLE PEDALS	1	ADJUSTABLE PEDALS	01AUG06
40	HORN	1	HORN RELAY / HORN SWITCH / DUAL HORNS	01AUG06
41	ANTILOCK BRAKE SYSTEM	1	WHEEL SENSORS / ABS MODULE / ABS WARNING LAMP RELAY / POWER BRAKE BOOST SYSTEM	01AUG06
		2	BULB-CHECK DIODE NETWORK / BRAKE FLUID LEVEL SW / BRAKE PRESSURE DIFFERENTIAL SWITCH	01AUG06
50	DLC CONNECTOR	1	ASSEMBLY LINE DIAGNOSTIC LINK CONNECTOR / 9 PIN J1939 DATA LINK CONNECTOR	01AUG06
60	HVAC	1	A/C COMPRESSOR CLUTCH / A/C HIGH PRESSURE SWITCH (BODY BUILDER INTERFACE) / A/C LOW PRESSURE SWITCH / A/C COMPRESSOR RELAY	01AUG06
81	CLUSTER	1	CLUSTER TELLTALES / KEY MINDER CIRCUIT / OUTSIDE AIR TEMPERATURE SENSOR	01AUG06
		2	CLUSTER GAUGES/ILLUMINATION	01AUG06
91	WIPER/WASHER PULSE	1	WIPER/WASHER PULSE CONTROL	01AUG06
100	HEADLAMPS	1	HEADLAMPS HI-LO BEAM SWITCH / DRL CONTROL MODULE / DRL RELAY	01AUG06
		2	HEADLAMP WIRING FOR OPTIONS : DUAL RECT (8T2) HEADLAMPS / BASE HEADLAMPS (-8T2/-8D5) / SINGLE RECTANGULAR (8D5)	01AUG06
110	EXTERIOR LIGHTING	1	DIRECTIONAL SWITCH / MARKER LAMPS / TURN & HAZARD FLASHERS / LICENCE PLATE LAMPS	01AUG06
		2	MARKER LAMPS / PARK LAMPS / TAIL & STOP LAMPS	01AUG06
		3	STOP LAMP BRAKE SWITCH / BACKUP LAMPS / 3RD STOP LAMP / SEPERATE VS INTEGRATED STOP-TAIL LAMPS WIRING PROVISION	01AUG06
117	INSTRUMENT PANEL DIMMING	1	INSTRUMENT PANEL DIMMER SWITCH / DOME LAMPS SWITCH / ILLUMINATION FUSE	01AUG06
138	BRAKE TRANSMISSION SHIFT INTERLOCK (BTS)1	1	BTS1 RELAY / COLUMN LOCK (BTS)1 SOLENOID / STOP LAMP TCC BRAKE SWITCH / (&ECS) SHIFT CONTROL RELAY	01AUG06
202	ENG HARNESS CONNECTOR FACES	1	C000/C006/C017/C0600/C601/C602	01AUG06
		2	C029/C030/C031/C036/C056/C057/C058/C059/C061/C062/C068/C067	01AUG06
		3	C070/C071/C073/C075/C076/C077/C080/C083/C085/C103/C105/C110/C115/C118/C120/C121/C148/C149/C180/C202/C207/C715/C717/C718/C720/C721/C722	01AUG06
		4	C723/C724/A1/T2/T7/T8/T11/T13/T14/T15/T16/T32	01AUG06
203	I/P HARNESS CONNECTOR FACES	1	C043/C055/C200/C208/C209/C210/C212/C216/C217/C218	01AUG06
		2	C228/C234/C269/C711/C714/T12	01AUG06
204	I/P EXTN HARNESS CONNECTOR FACES	1	C063/C065/C084/C215/C248/C250/C251/C252/C253/C254	01AUG06
		2	C249/C255/C257/C258/C261/C710/C712/C721	01AUG06
205	CHAS HARNESS CONNECTOR FACES	1	C400/C402/C403/C404/C405/C708/C709/CHAS_GND	01AUG06
206	DRIVE AWAY HARNESS CONNECTOR FACES	1	C203/C240/C272/C275/C276	01AUG06
208	FWD LAMP HARNESS CONNECTOR FACES	1	C300/C302/C303/C304/C305/C306/C307/C308/C309/C310/C311/C312/C313/C314/C315/C318/GND5	01AUG06
209	REAR LAMP HARNESS CONNECTOR FACES	1	C500/C501/C502/C503/C504/C505/C508/C507/C508/C509/C510	01AUG06
210	DRIVE AWAY WIRING	1	TEMPORARY I/P DRIVE AWAY HARNESS WIRING	01AUG06

OPTION KEY (REF)

OPTION	DESCRIPTION
C7P	16,000 LB GVW
8T2	DUAL RECTANGULAR HEADLAMPS
K34	CRUISE CONTROL
L18	V8 SEQ MFI GAS ENGINE
M74	AUTOMATIC 5 SPEED ALLISON LCT 1000
WX7	EUROPE WIRING PROVISIONS
7Y8	HIGH OUTPUT BATTERY
8D5	SINGLE RECTANGULAR HEADLAMPS
ECS	ELECTRONIC CONTROL TRANS SHIFTER

DATE : 01AUG06

2007 WORKHORSE

L18, W22, W20

INDEX

W0009999 | SHEET #001

PAGE 1 OF 2

WORKHORSE CUSTOM CHASSIS

LEGEND

SYMBOL	DESCRIPTION	SYMBOL	DESCRIPTION	SYMBOL	DESCRIPTION
	ENG HARN WIRE INFORMATION		TWISTED PAIR		FUSE BLOCK BUSS
	I/P HARN WIRE INFORMATION		RESISTOR		RING TERMINAL
	CHAS HARN WIRE INFORMATION		DIODE		FUSE
	I/P EXTN HARN WIRE INFORMATION		INDUCTOR COIL OR WINDING		LH PAGE CONNECTION
	DRIVE AWAY HARN WIRE INFORMATION		SOLENOID		RH PAGE CONNECTION
	I/P CNTR HARN WIRE INFORMATION		WIRE SPLICE		LIGHT
	FWD LP HARN WIRE INFORMATION		RELAY CONTACTS (NORMALLY CLOSED)		MOTOR
	REAR LP HARN WIRE INFORMATION		RELAY CONTACTS (NORMALLY OPEN)		BATTERY
	CLEAN POWER HARN WIRE INFORMATION		RELAY COIL WITH SUPPRESSION RESISTOR		VARIABLE RESISTOR OR SENSOR
	BAT CABLE WIRE INFORMATION		NORMALLY OPEN SWITCH		INLINE CONNECTOR
	START CABLE WIRE INFORMATION		NORMALLY CLOSED SWITCH		
	FUEL EXTN HARN WIRE INFORMATION		CASE GROUND OR INTERNAL GROUND		
	GRID HEATER HARN WIRE INFORMATION				
	TWISTED PAIR SHIELD				

WIRE INFORMATION

203
BLU 0.8

METRIC GAUGE	ENGLISH GAUGE
0.35	22
0.5	20
0.8	18
1.0	16
2.0	14
3.0	12
5.0	10
8.0	8
13.0	6
19.0	4
32.0	2
40.0	1
50.0	0
62.0	2/0
81.0	3/0

DATE : 01AUG06

2007 WORKHORSE

L18, W22, W20

LEGENDS

W0009999 | SHEET #001

PAGE 2 OF 2

CONNECTOR REFERENCE NUMBER ZONES

WORKHORSE CUSTOM CHASSIS

FORWARD LAMP (FWD LP)
 12109854 &EJ6/EK0/EK3&HPR/8T2-Z49
 12109856 &EJ2*&EJ6/EK0/EK3&SD5-Z49
 12109857 &EJ6/EK0/EK3&Z49&SD5
 12109858 &EJ6/EK0/EK3-HPR-Z49-8D5-8T2
 12109859 &EJ6/EK0/EK3&Z49-HPR-8D5-8T2
 W0004843 &EJ6/EK0/EK3&HPR/8T2&Z49

ENGINE (ENG)
 W0010002 &L18 -ECS
 W0010003 &L18 &ECS

BATTERY CABLES (POS) (NEG)
 15311553 &L18
 15785184 &L18

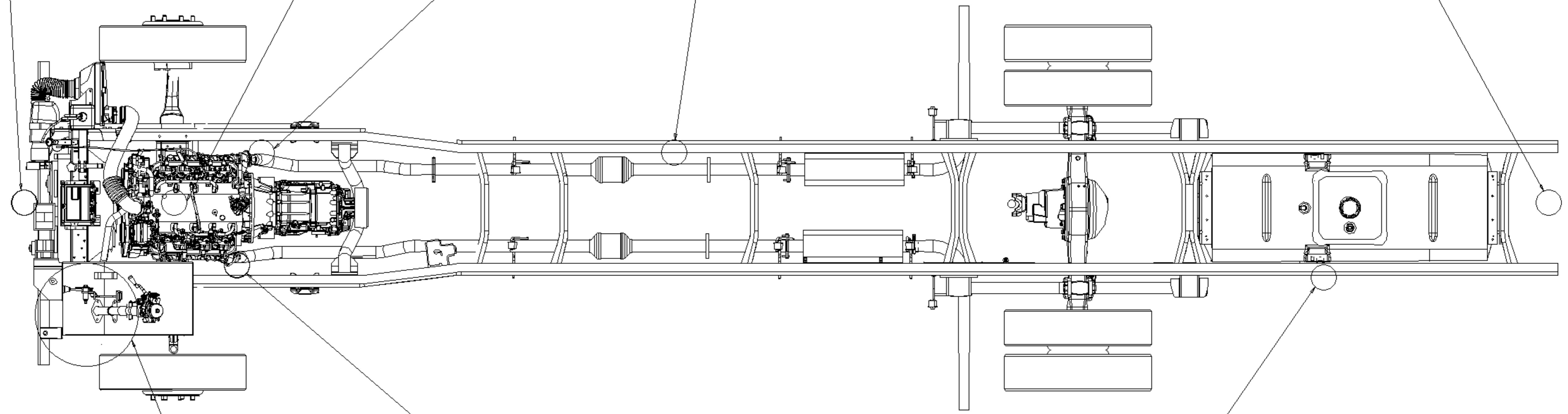
CHASSIS (CHAS)
 W0005068 &L18 (190"-208") (319-320)
 W0005067 &L18 (228") (321)
 W0005070 &L18 (242") (325)
 W0005069 &L18 &SK3

TAIL AND STOP LAMP (TAIL)
 15323193 &L18-RHD
 15323194 &L18&RHD

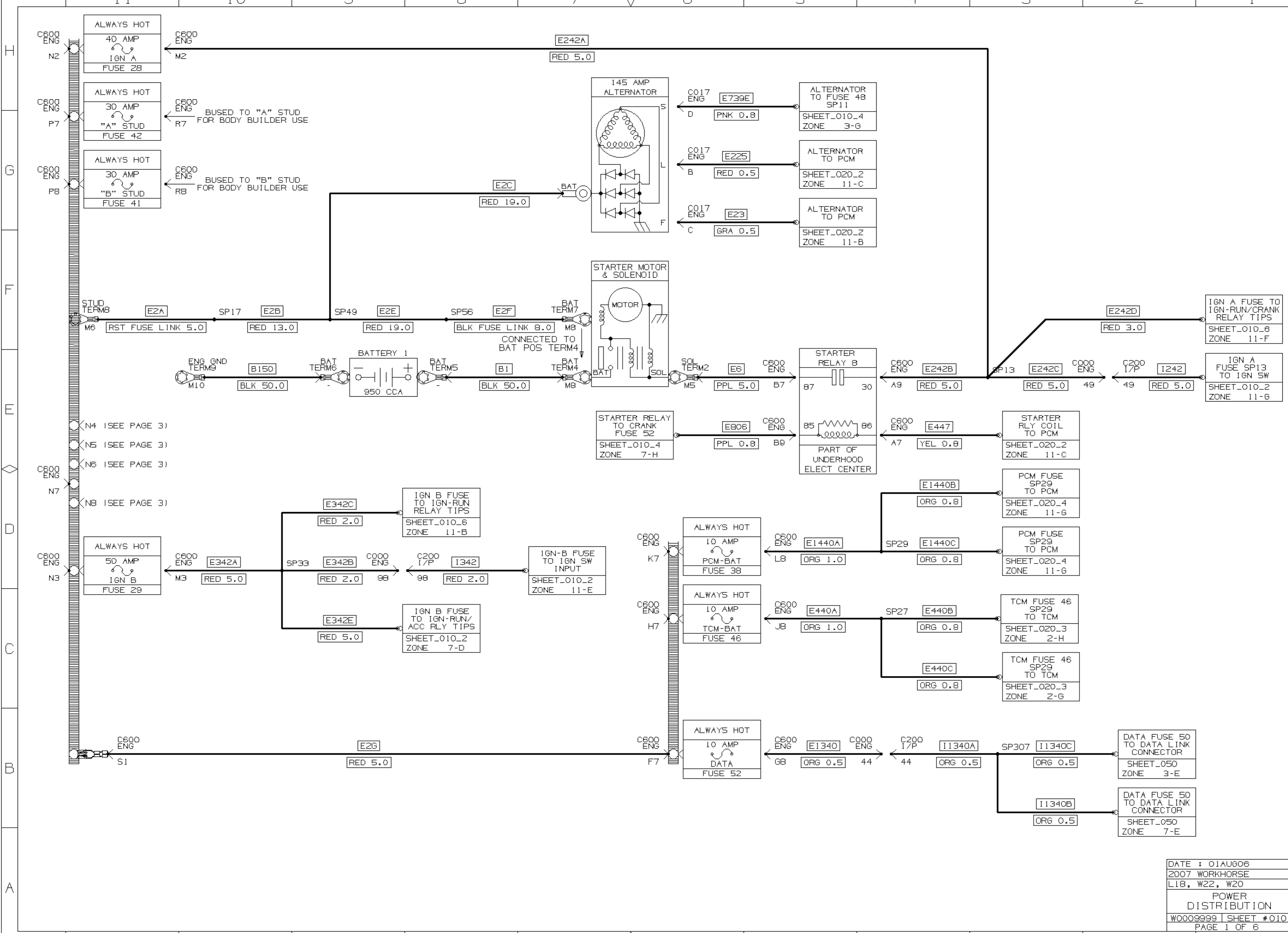
INSTRUMENT PANEL (I/P)
 W0010006 &L18 -ECS
 W0010007 &L18 &ECS
 I/P EXTENSION (I/P EXTN)
 W0010010 &L18 &SK1
 DRIVE AWAY (I/P (DRIVE AWAY)
 W0009935 &L18

GND STRAP
 08913010 &L18

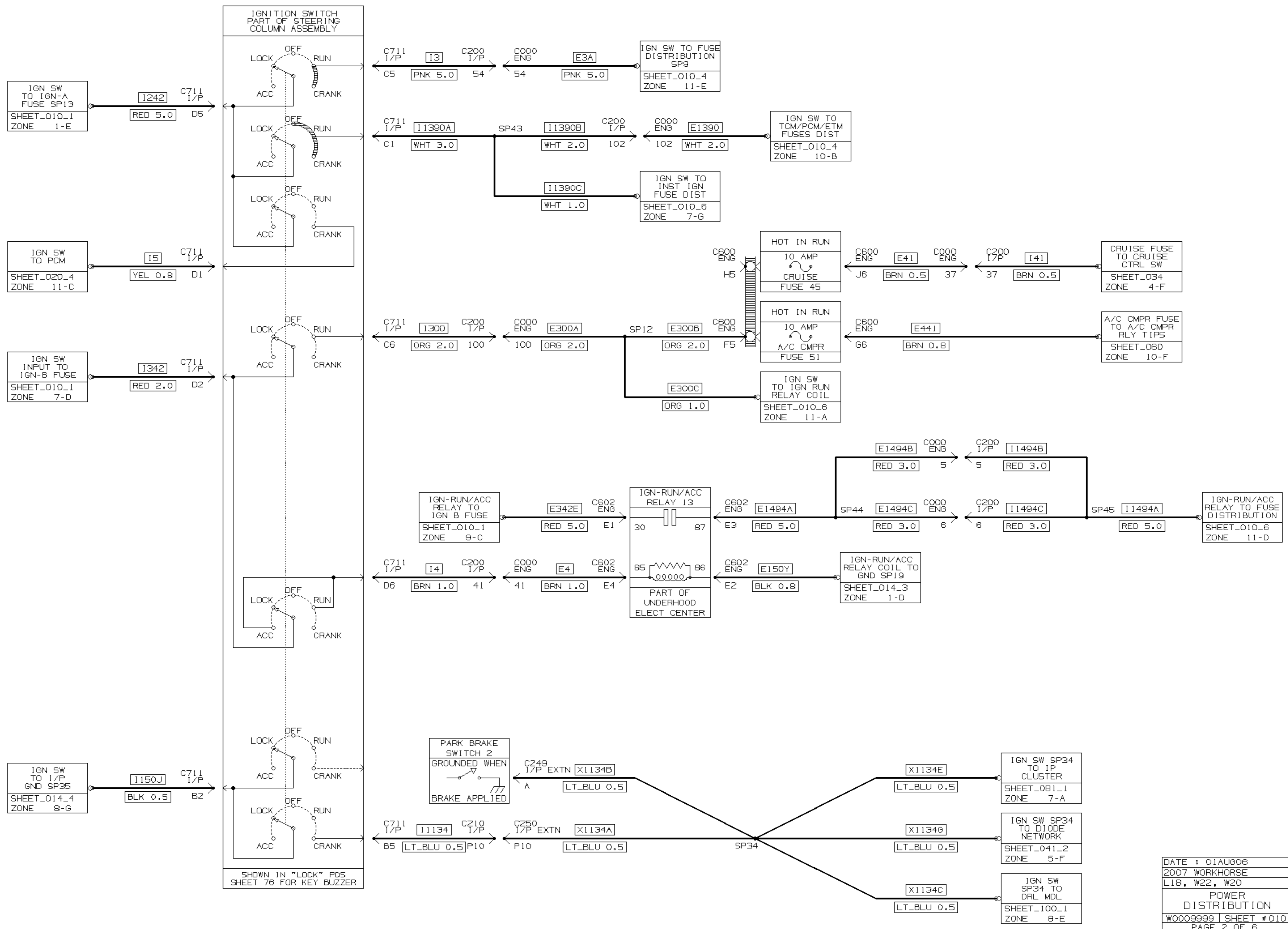
FUEL GND STRAP
 W0002747
 FUEL FILLER GND STRAP
 12153362 &L18



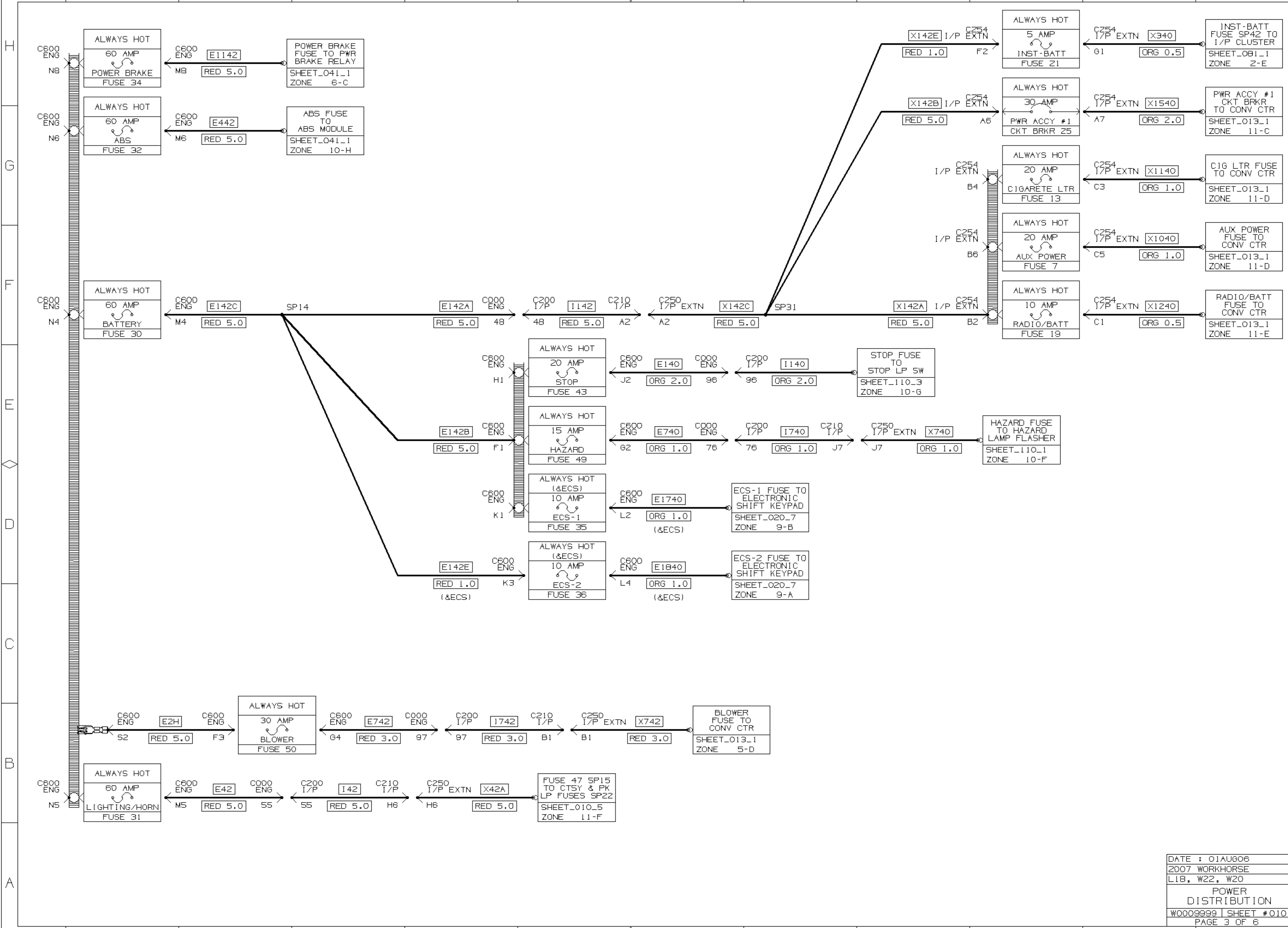
DATE : 01AUG06
2007 WORKHORSE
L18, W22, W20
VEHICLE ZONING
W0009999 SHEET #009
PAGE 1 OF 1

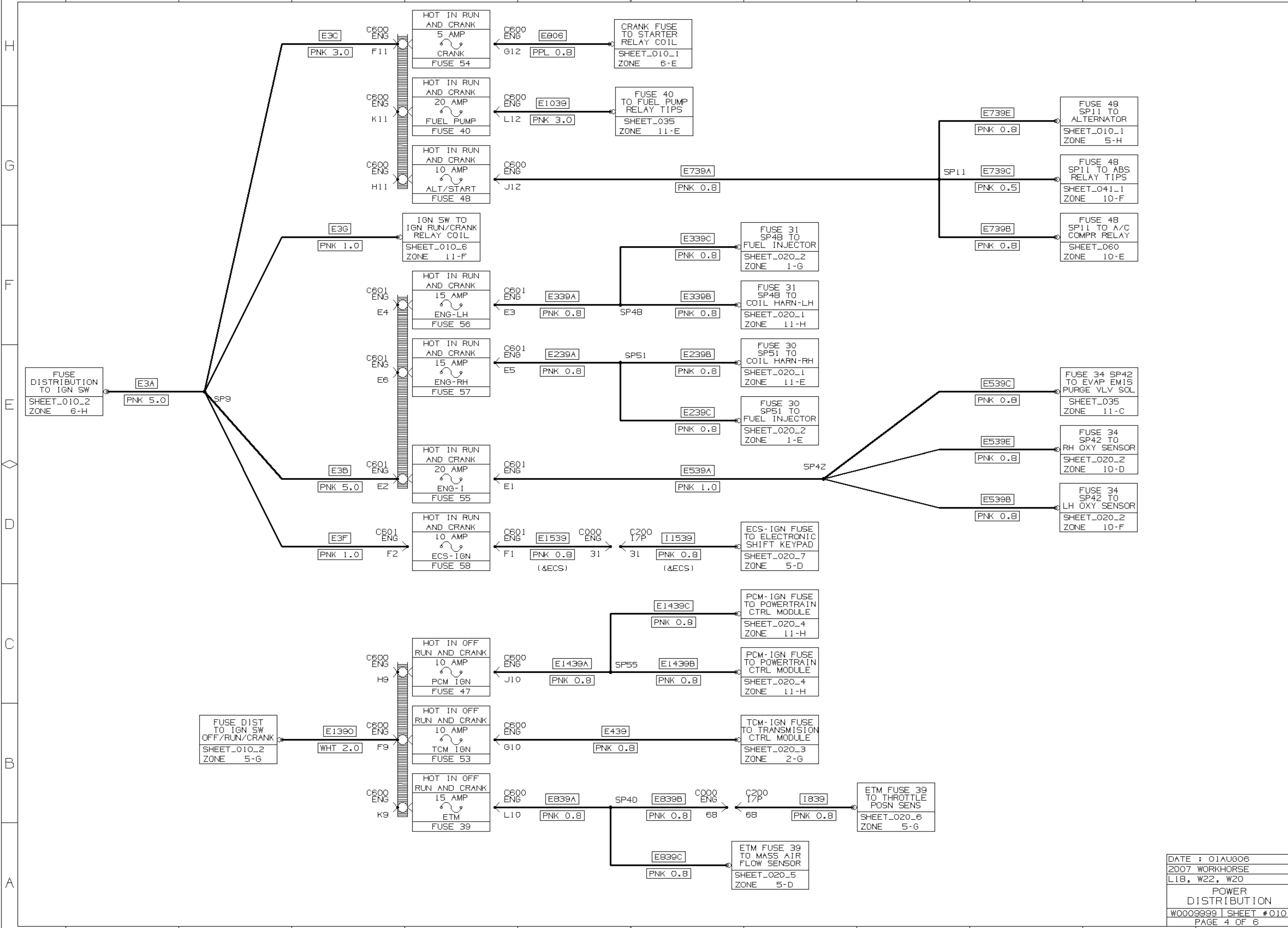


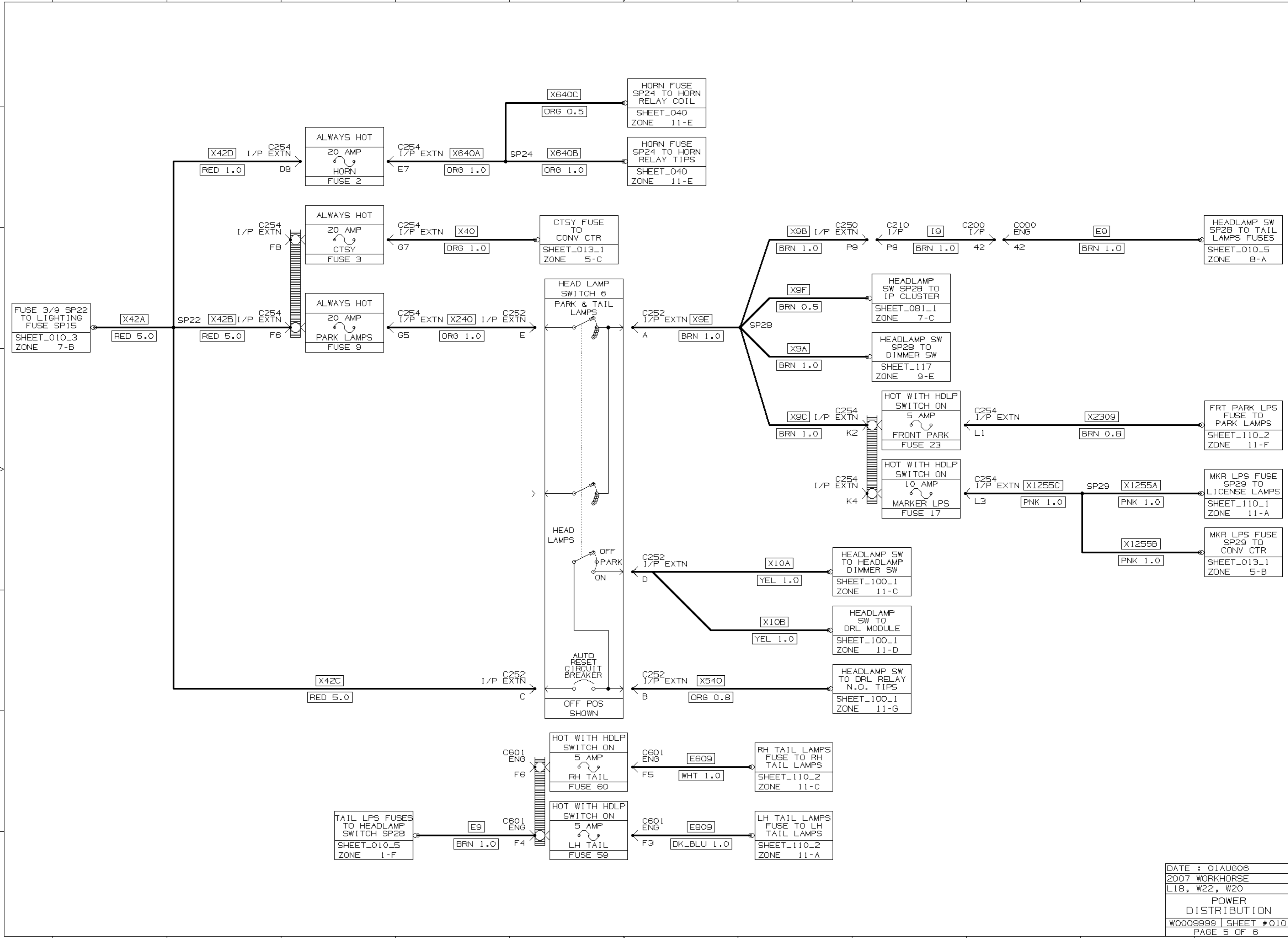
WORKHORSE CUSTOM CHASSIS

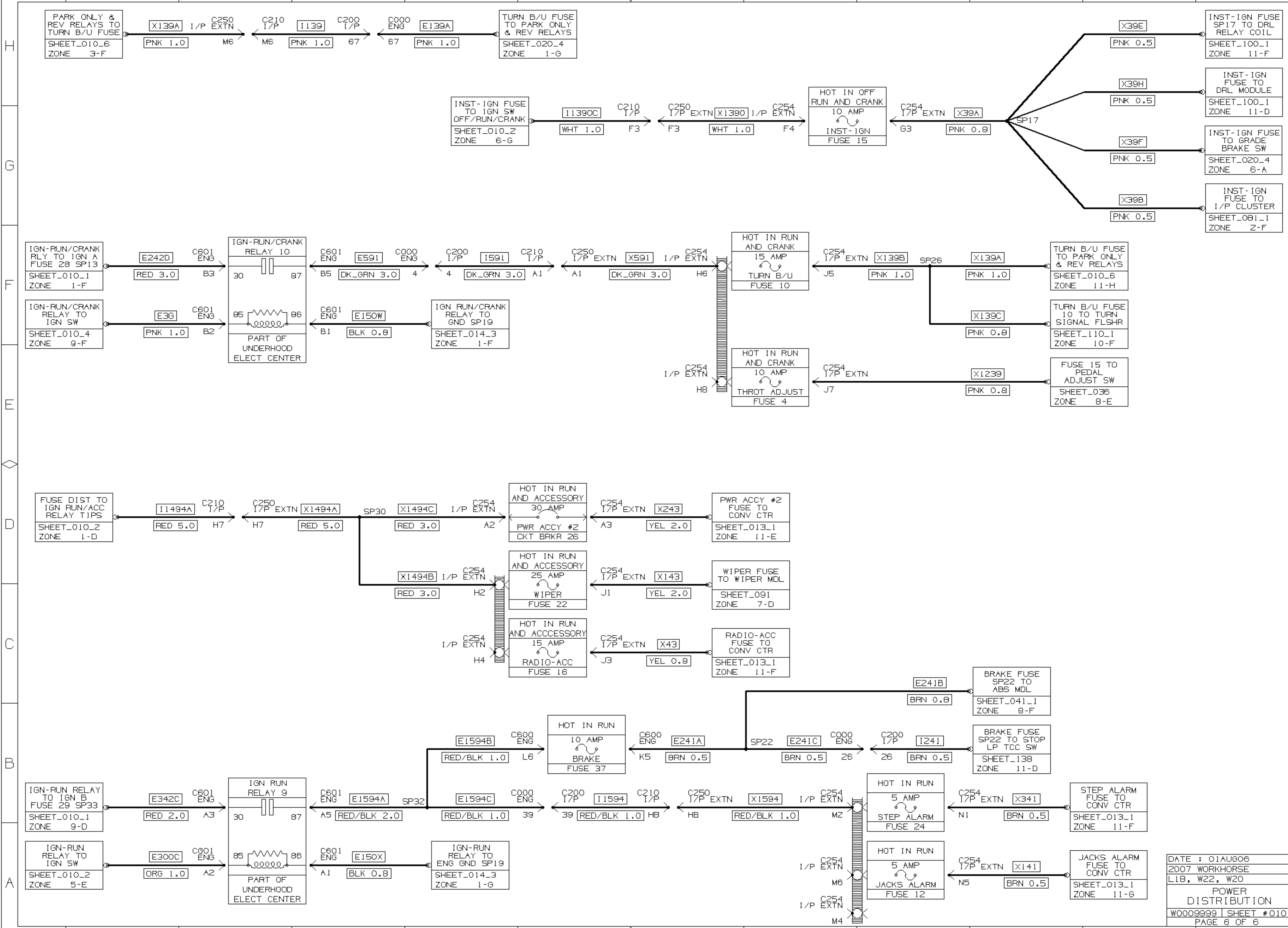


DATE : 01AUG06
2007 WORKHORSE
L18, W22, W20
POWER DISTRIBUTION
W0009999 | SHEET #010
PAGE 2 OF 6



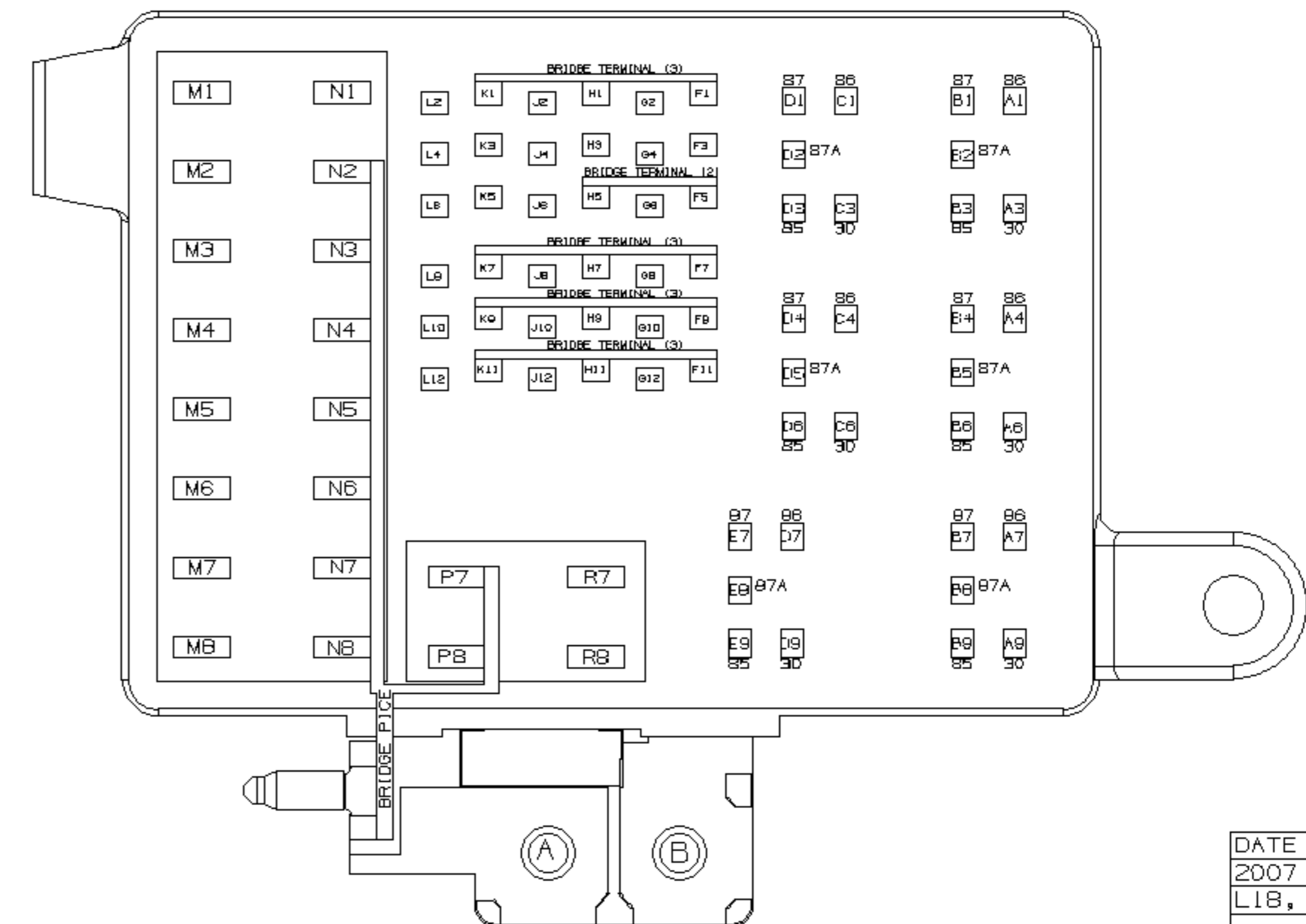
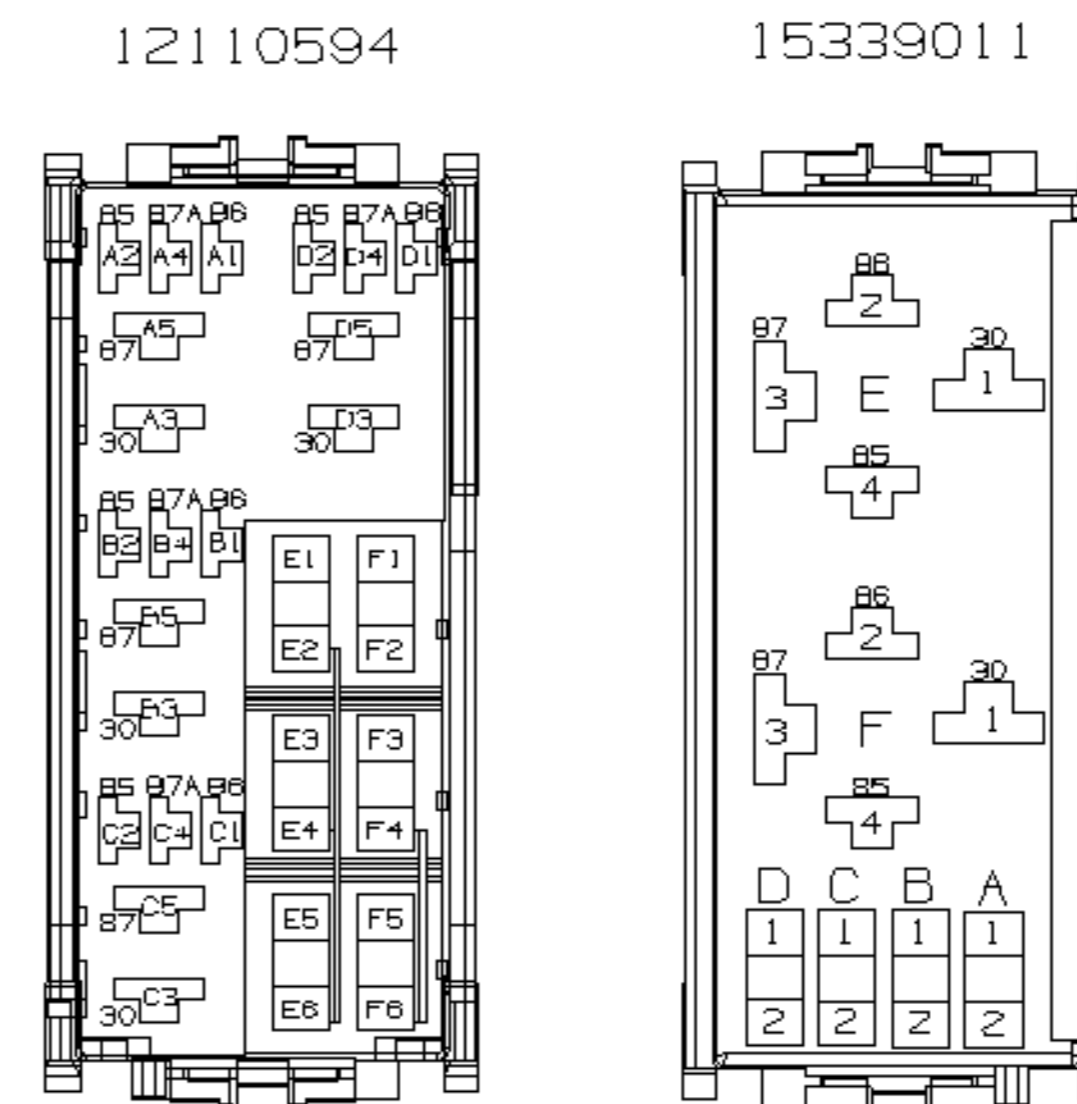
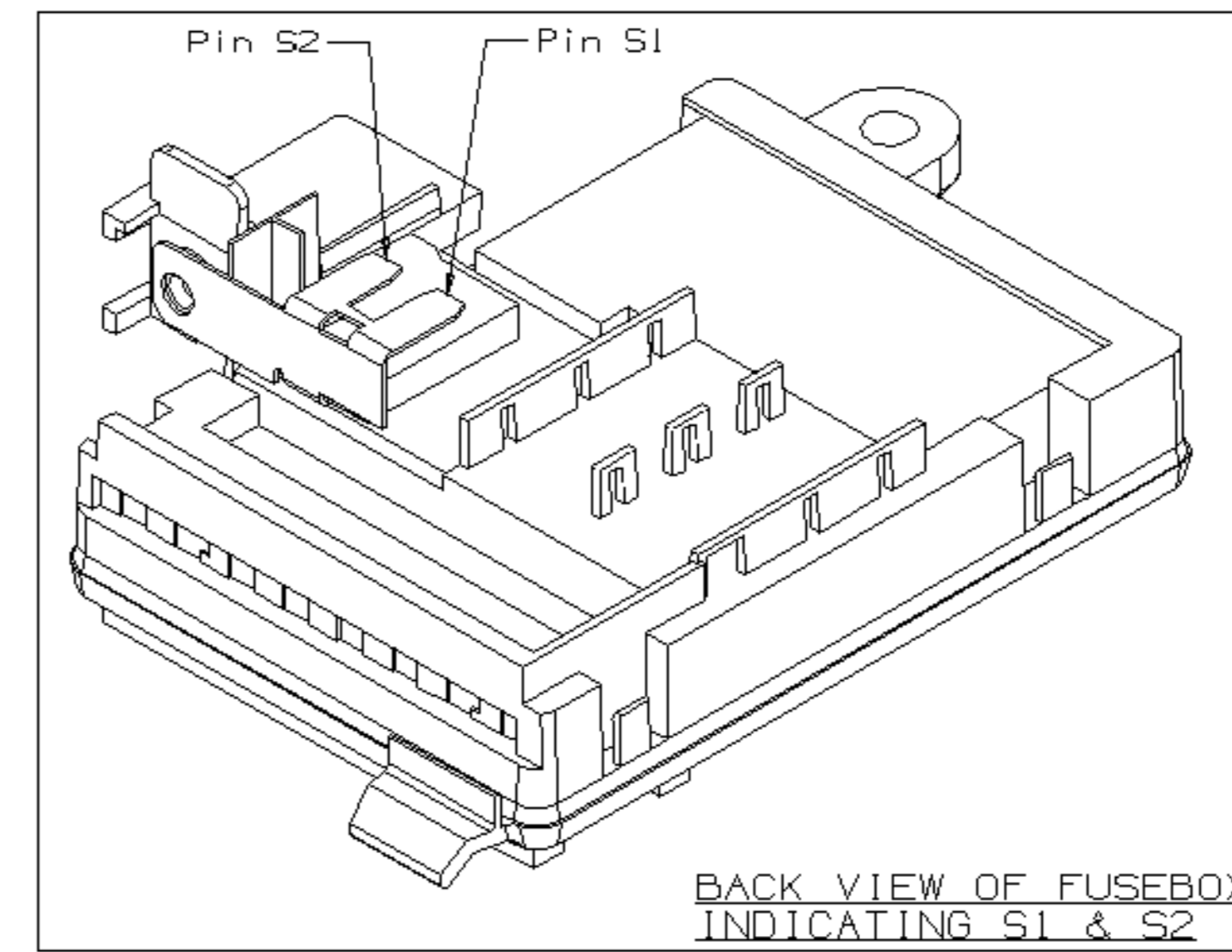
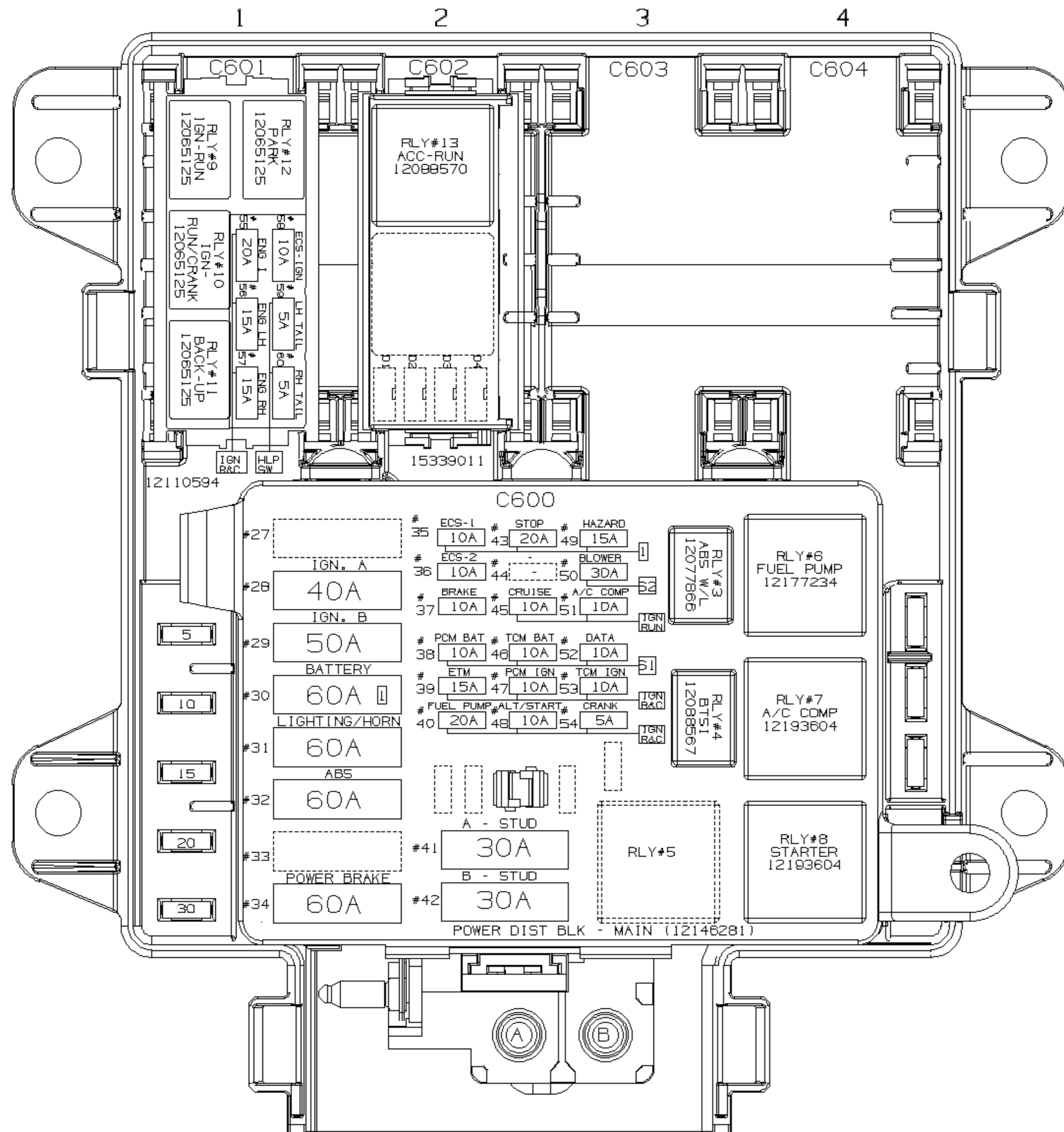






H
G
F
E
D
C
B
A

11 10 9 8 7 6 5 4 3 2 1

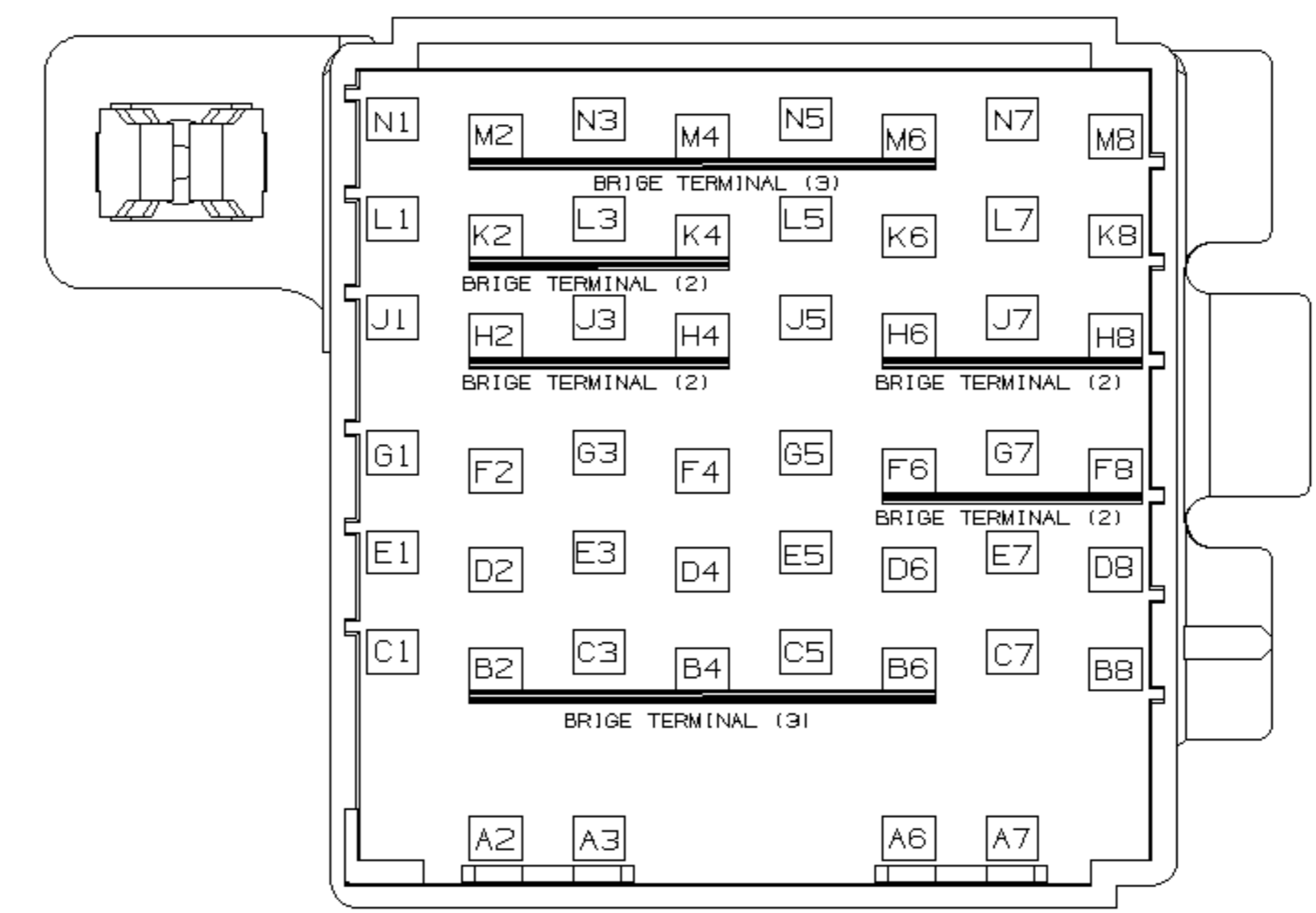
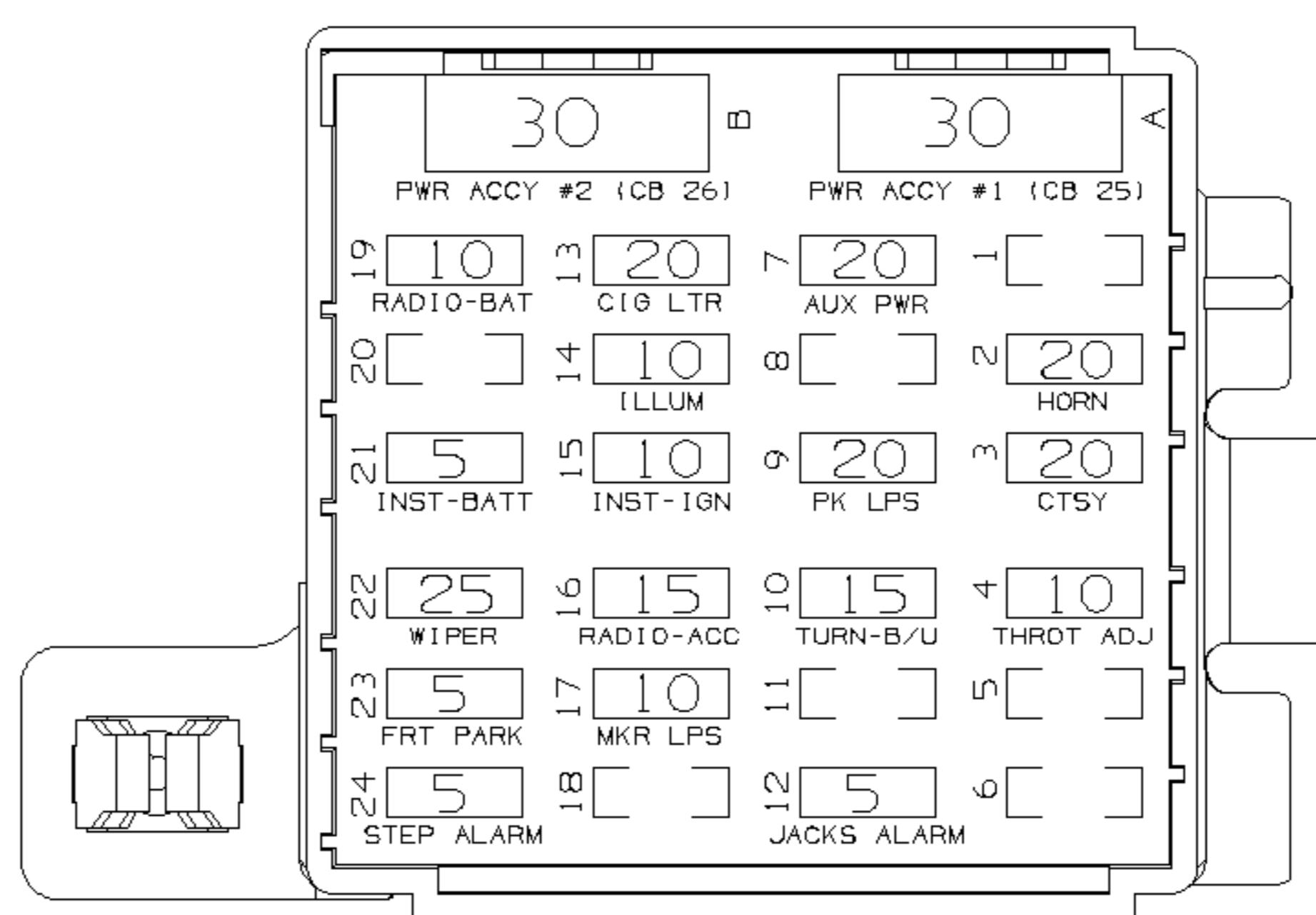


11 10 9 8 7 6 5 4 3 2 1

WORKHORSE CUSTOM CHASSIS

I/P EXTN FUSE BLOCK

ITEM NO.	11	
POSITION	RATING	FUSE FUNCTIONS
1		
2	20	HORN
3	20	CTSY
4	10	THROT ADJ
5		
6		
7	20	AUX PWR
8		
9	20	PK LPS
10	15	TURN-B/U
11		
12	5	JACKS ALARM
13	20	CIG LTR
14	10	ILLUM
15	10	INST-IGN
16	15	RADIO-ACC
17	10	MKR LPS
18		
19	10	RADIO-BAT
20		
21	5	INST-BAT
22	25	WIPER
23	5	FRT PARK
24	5	STEP ALARM
A	30 C/B	PWR ACCY #1
B	30 C/B	PWR ACCY #2

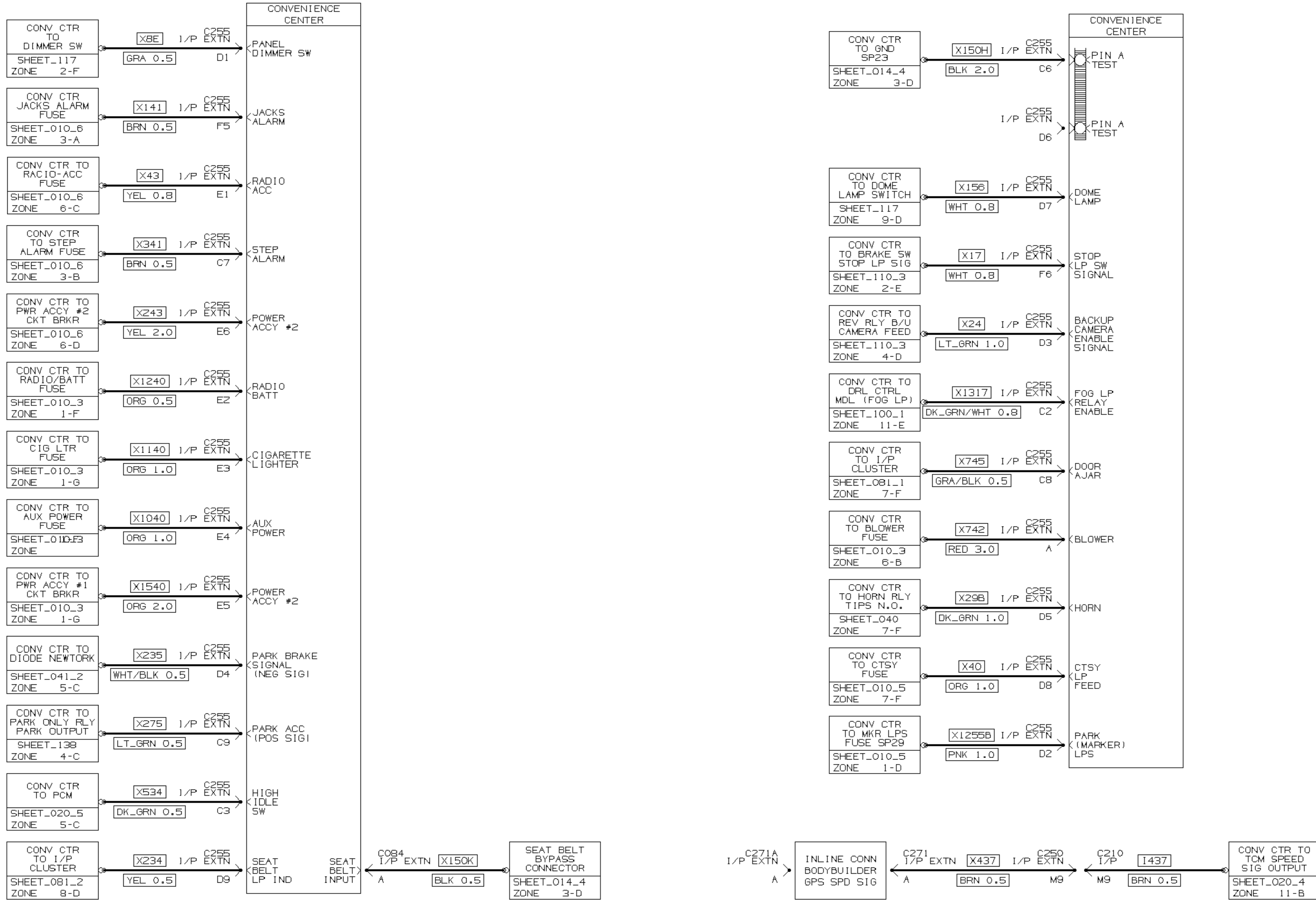


I/P EXTN FUSE BLOCK LOAD CHART

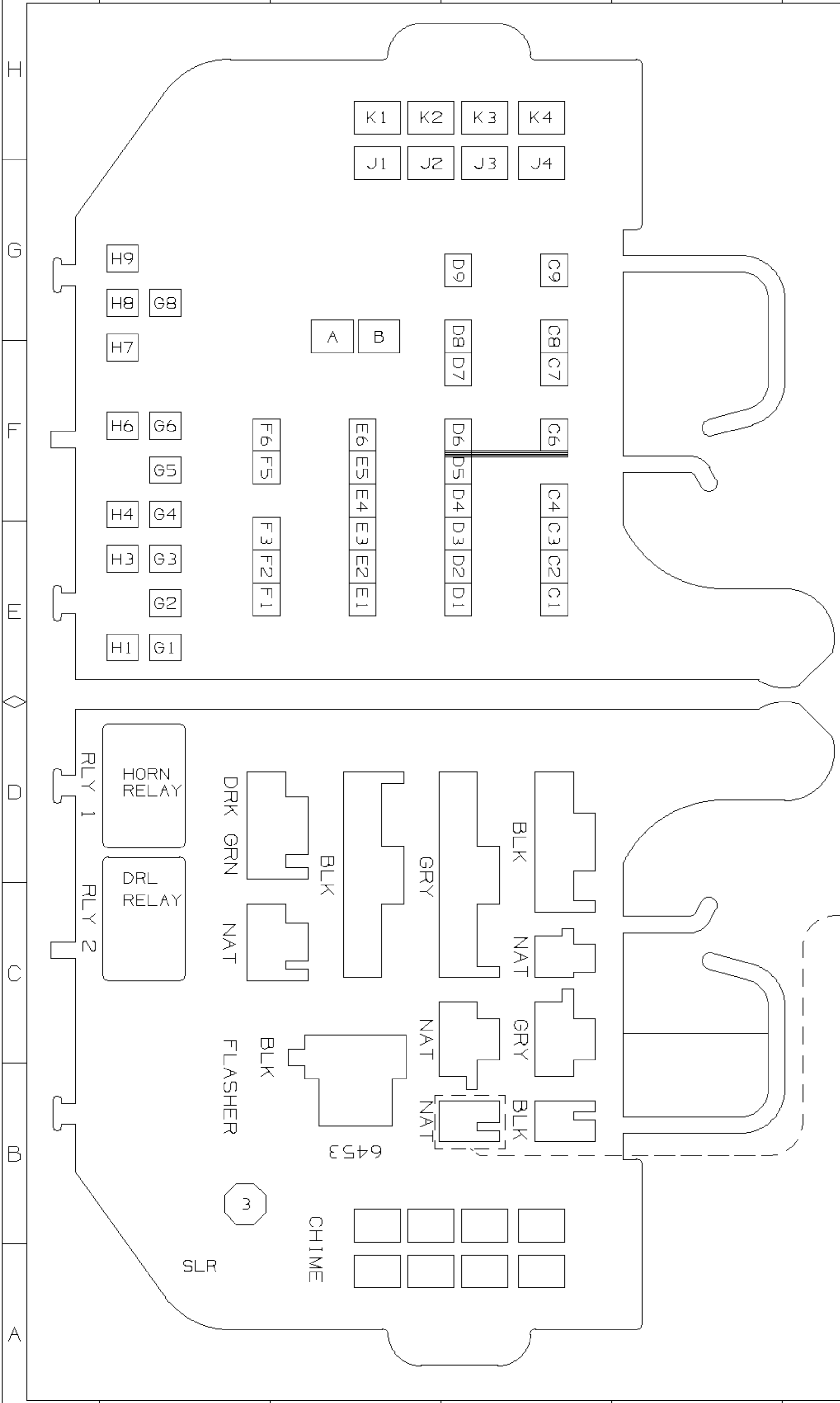
FUSE NO	NAME	SIZE	LOAD CIRCUIT	LOAD
1	OPEN			
2	HORN	20A FUSE	640	HORN RELAY
3	CTSY	20A FUSE	40	DOME & COURTESY LAMPS (BODY BUILDER)
4	THROT ADJ.	10A FUSE	1239	ADJUSTABLE THROTTLE MOTOR
5	OPEN			
6	OPEN			
7	AUX PWR	20A FUSE	1040	BODY BUILDER
8	OPEN			
9	PK LPS	20A FUSE	240	HEADLAMP SWITCH (PARK, MARKER AND TAIL LAMPS)
10	TURN-B/U	15A FUSE	139	TURN SIGNAL SWITCH, PARK/NEU POSN & B/U LAMP SWITCH
11	OPEN			
12	JACKS ALARM	5A FUSE	141	JACKS ALARM
13	CIG LTR	20A FUSE	1140	CIG LIGHTER (BODY BUILDER)
14	ILLUM	10A FUSE	8	I/P CLUSTER, AUDIO ALARM, BODY BUILDER FEED
15	INST IGN.	10A FUSE	39	DRL RELAY, DRL CONTROL MODULE, CLUSTER
16	RADIO-ACC	15A FUSE	43	BODY BUILDER RADIO
17	MKR LPS	10A FUSE	1255	LICENSE LAMPS BODY BUILDER MARKER LPS
18	OPEN			
19	RADIO-BAT	10A FUSE	1240	BODY BUILDER RADIO
20	OPEN	-	-	-
21	INST BATT	5A FUSE	340	CLUSTER, CHECK TIRE
22	WIPER	25A FUSE	143	BODY BUILDER WIPERS
23	FRT PARK	5A FUSE	2309	FRONT PARK LAMPS
24	STEP ALARM	5A FUSE	341	STEP ALARM
25	PWR ACCY #1	30A BRKR	1540	BODY BUILDER
26	PWR ACCY #2	30A BRKR	243	BODY BUILDER

C255
I/P EXTN CONVENIENCE CENTER

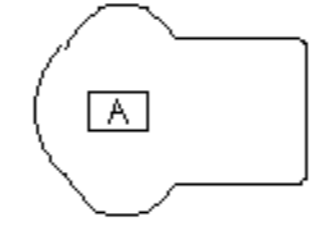
WORKHORSE CUSTOM CHASSIS



WORKHORSE CUSTOM CHASSIS



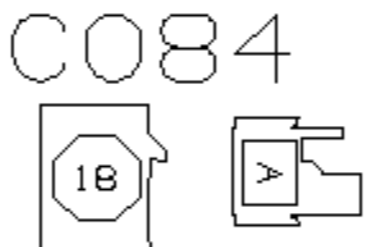
GPS SPEED SIGNAL
CONNECTOR TAPED BACK
NEAR CONVEINENCE CENTER



C721

ITEM NO: 45	
12065171 BLK	
INLINE-TO BODY	
BUILDER HARN	
CAV	WIRE
A	437

ITEM NO: 18	
12033713 NAT	
SEAT BELT BYPASS	
CAV	WIRE
A	150K



STAMP "SEAT BELT BYPASS"

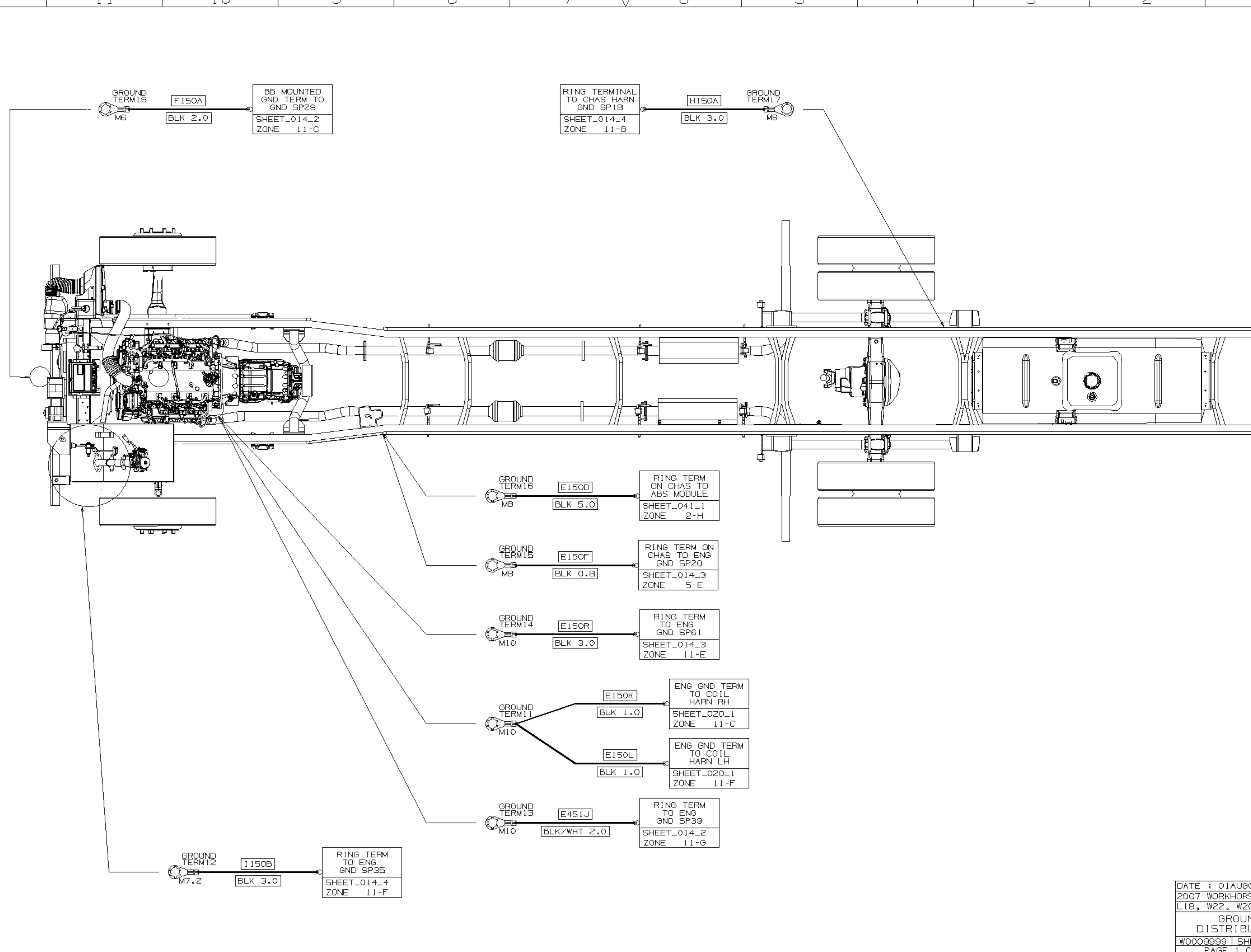
NOTE: CONNECT ITEM 18
TO ITEM 3 PIN D9

I/P EXTN CONVENIENCE CENTER				
CAVITY	CIRCUIT	FUNCTION	REF. SHEET	COMPONENT
A	542	BODY BUILDER BLOWER	10	
B	-	-	-	MATES WITH 12129939
C1	-	-	-	
C2	1317	FOG LP. RELAY GRD(5K1/-5K0)	100	MATES WITH 12033704
C3	534	HIGH IDLE SWITCH	20	
C4	-	-	-	
C6	150	GROUND	14	MATES WITH 12015202
C7	341	STEP ALARM	10	
C8	745	DOOR AJAR	81	MATES WITH 12034341
C9	275	PARK ACCESSORY	41	MATES WITH 12015203
D1	8	PANEL DIMMER SWITCH	117	
D2	1255	MARKER LAMPS	10	
D3	24	BACKUP LPS (CAMERA FEED)	110	MATES WITH 12110747
D4	235	IGNITION SWITCH BULB CHECK	41	
D5	29	HORN RELAY OUTPUT	40	
D6	BUS TO C6	GROUND	14	
D7	156	DOME LAMP SWITCH (TO GROUND)	114	
D8	40	COURTESY/DOME LAMP FEED	114	MATES WITH 12034577
D9	234	SEAT BELT	81	MATES WITH 12033713
E1	43	RADIO-ACC FEED	10	
E2	1240	RADIO-BAT FEED	10	
E3	1140	CIG LTR FEED	10	MATES WITH 12110748
E4	1040	AUX PWR FEED	10	
E5	1540	PWR ACCY #1 FEED	10	
E6	243	PWR ACCY #2 FEED	10	
F1	-	-	-	
F2	-	-	-	MATES WITH 12110777
F3	-	-	-	
F5	141	JACKS ALARM	10	
F6	17	AUX STOP FEED	110	MATES WITH 12052184
G1	28	HORN RELAY	40	
G2	-	-	-	HORN RELAY (12088567)
G3	640	HORN RELAY (Z49/-5K0)	40	
G4	39	DAYTIME RUNNING LAMPS RELAY (Z49)	100	
G5	150	DAYTIME RUNNING LAMPS RELAY (Z49)	100	DAYTIME RUNNING LAMP RELAY (12077866)
G6	540	DAYTIME RUNNING LAMPS RELAY (Z49)	100	
G8	-	-	-	
H1	29	HORN RELAY	40	HORN RELAY (12088567)
H3	640	HORN RELAY (Z49/-5K0)	40	
H4	593	DAYTIME RUNNING LAMPS RELAY (Z49)	100	DAYTIME RUNNING LAMP RELAY (12077866)
H6	592	DAYTIME RUNNING LAMPS RELAY (Z49)	100	
H7	-	-	-	
H8	-	-	-	
H9	-	-	-	
J1	-	-	-	
J2	-	-	-	
J3	-	-	-	
J4	-	-	-	
K1	-	-	-	
K2	-	-	-	
K3	-	-	-	
K4	-	-	-	

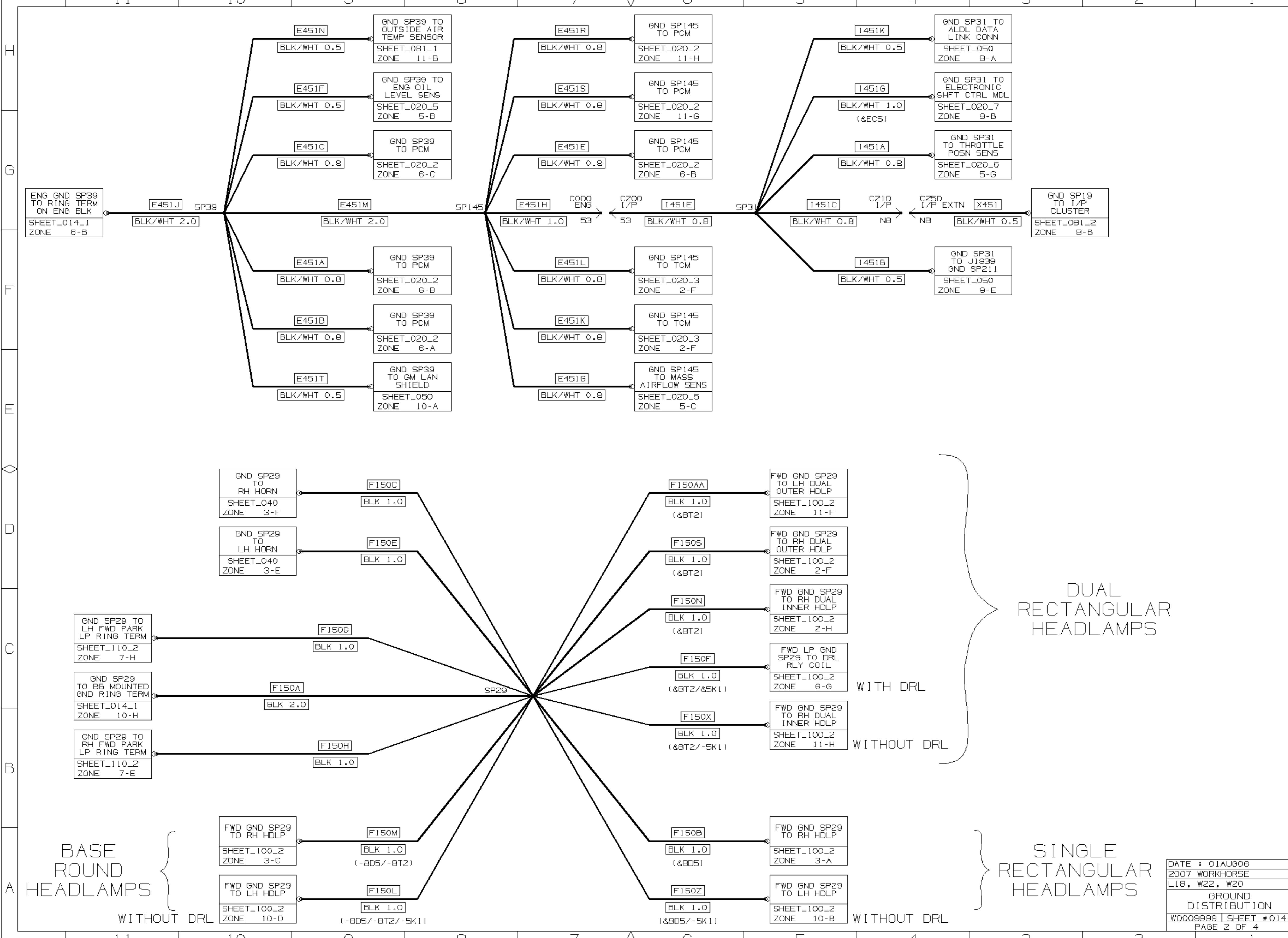
FOR DRL RELAY PINS G4, G5, G6, H4 & H6 SEE SHEET 100-1

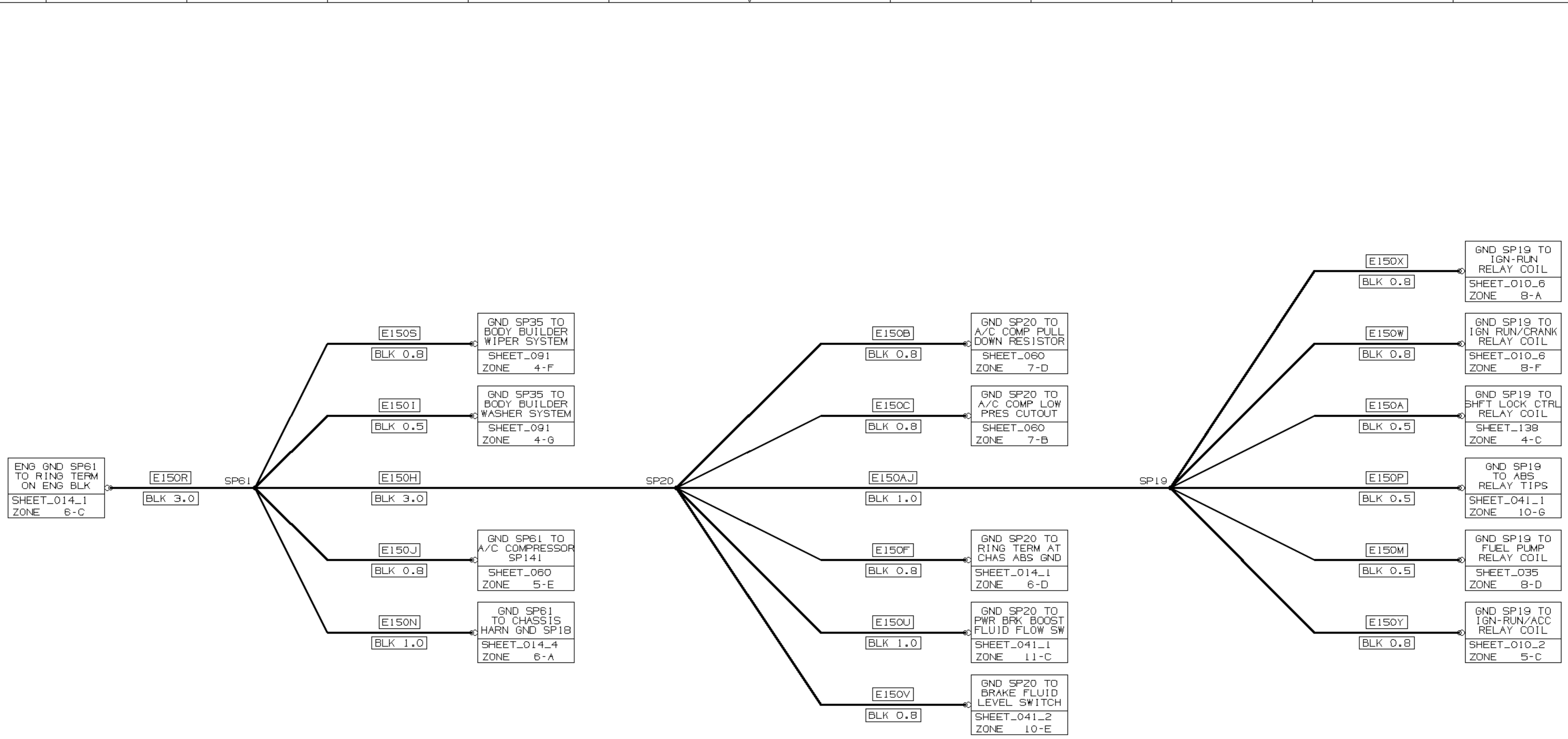
POSITION	RELAY	RELAY
H1-H3 G1-G2-G3	12088567	HORN RELAY
H4-H6 G4-G5-G6	12077866	DRL RELAY

WORKHORSE CUSTOM CHASSIS

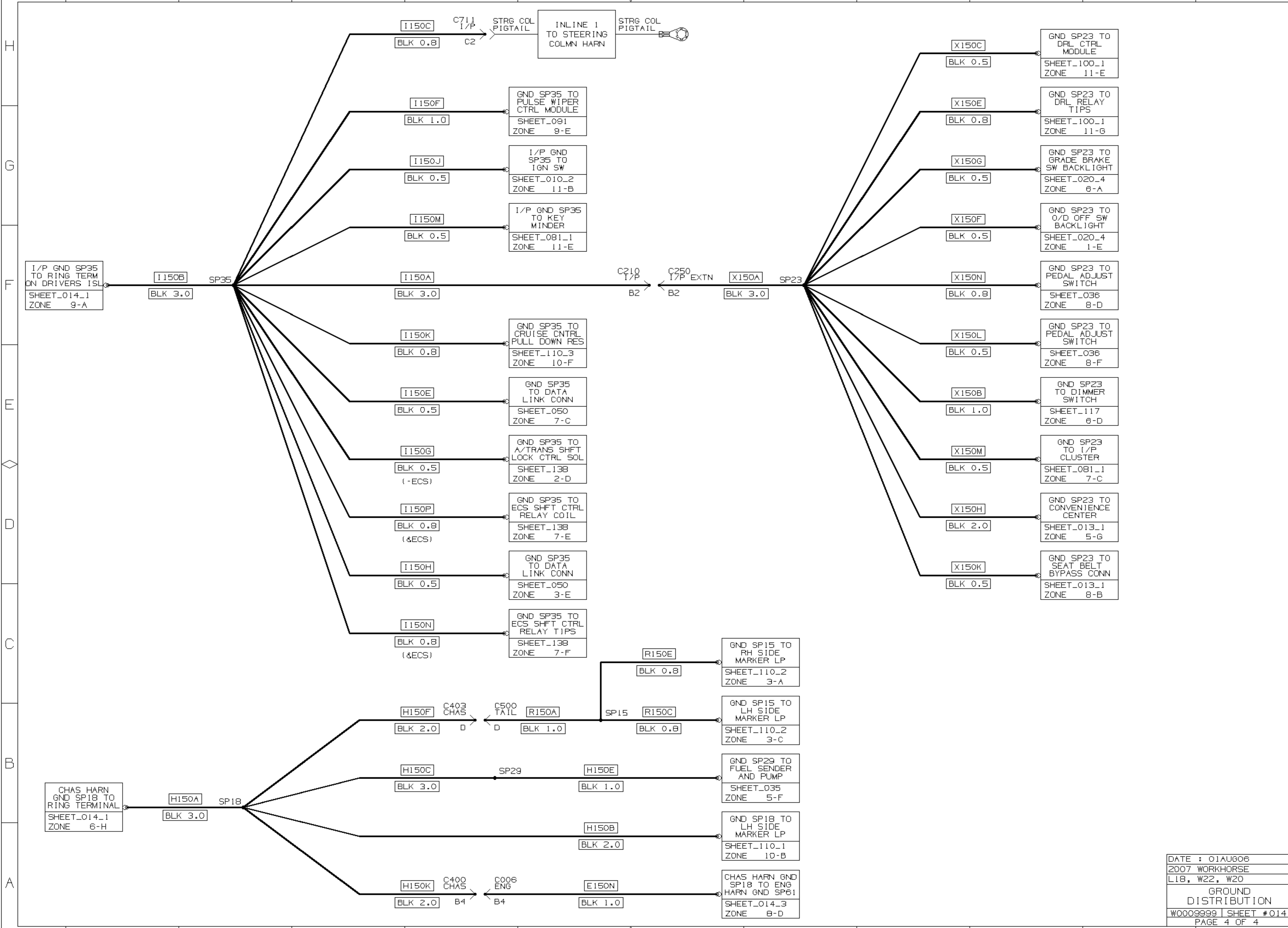


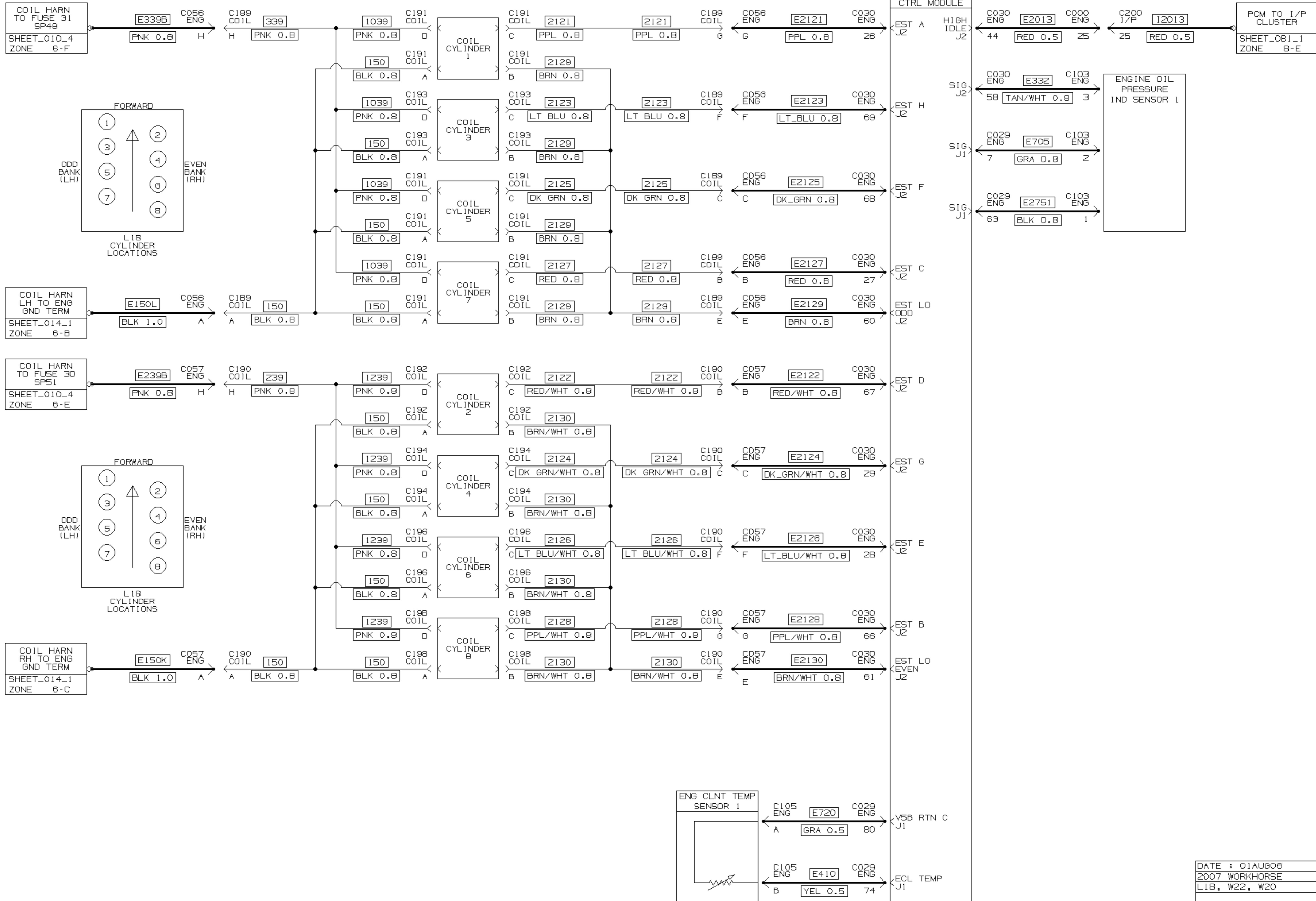
WORKHORSE CUSTOM CHASSIS



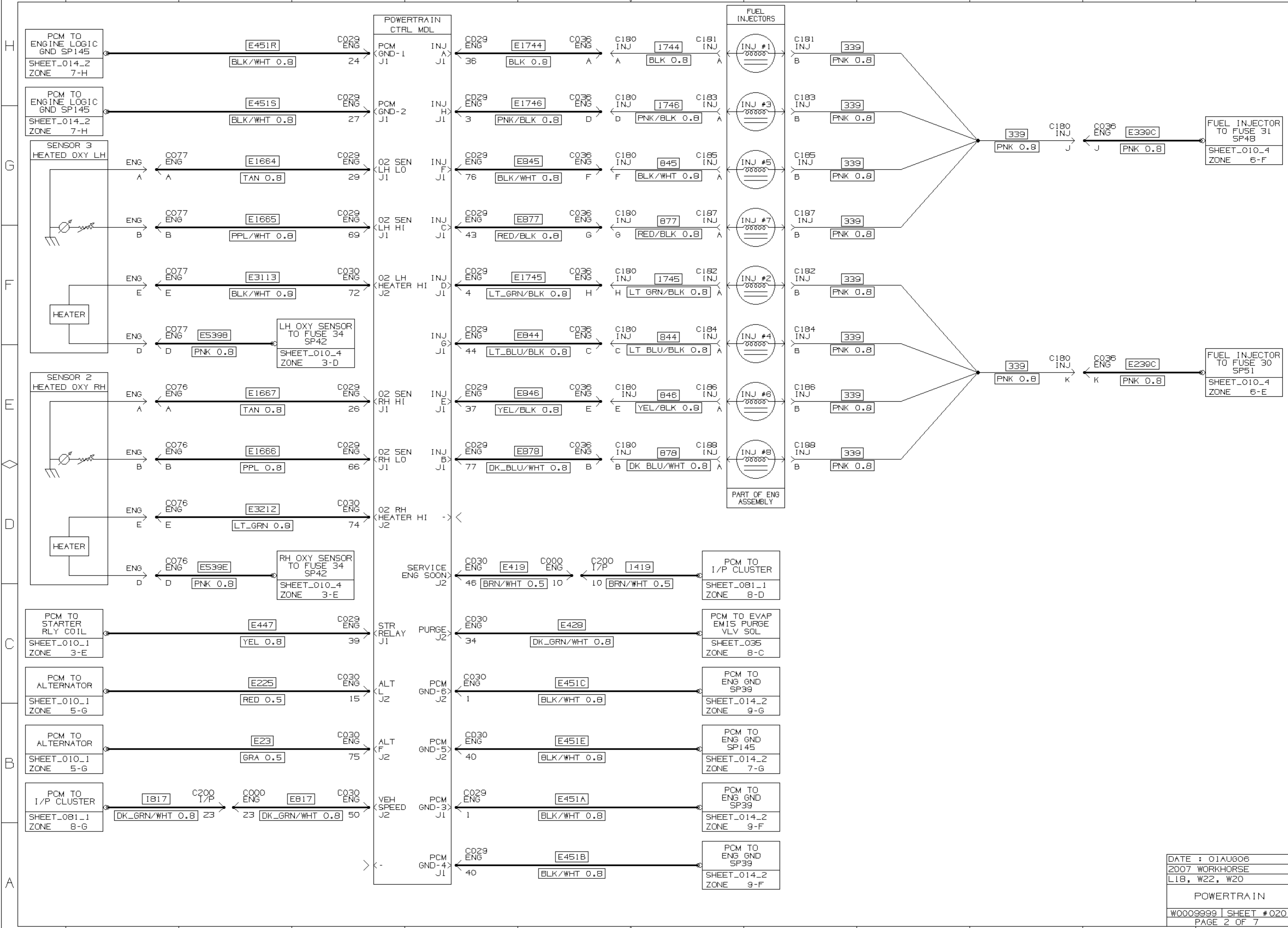


WORKHORSE CUSTOM CHASSIS

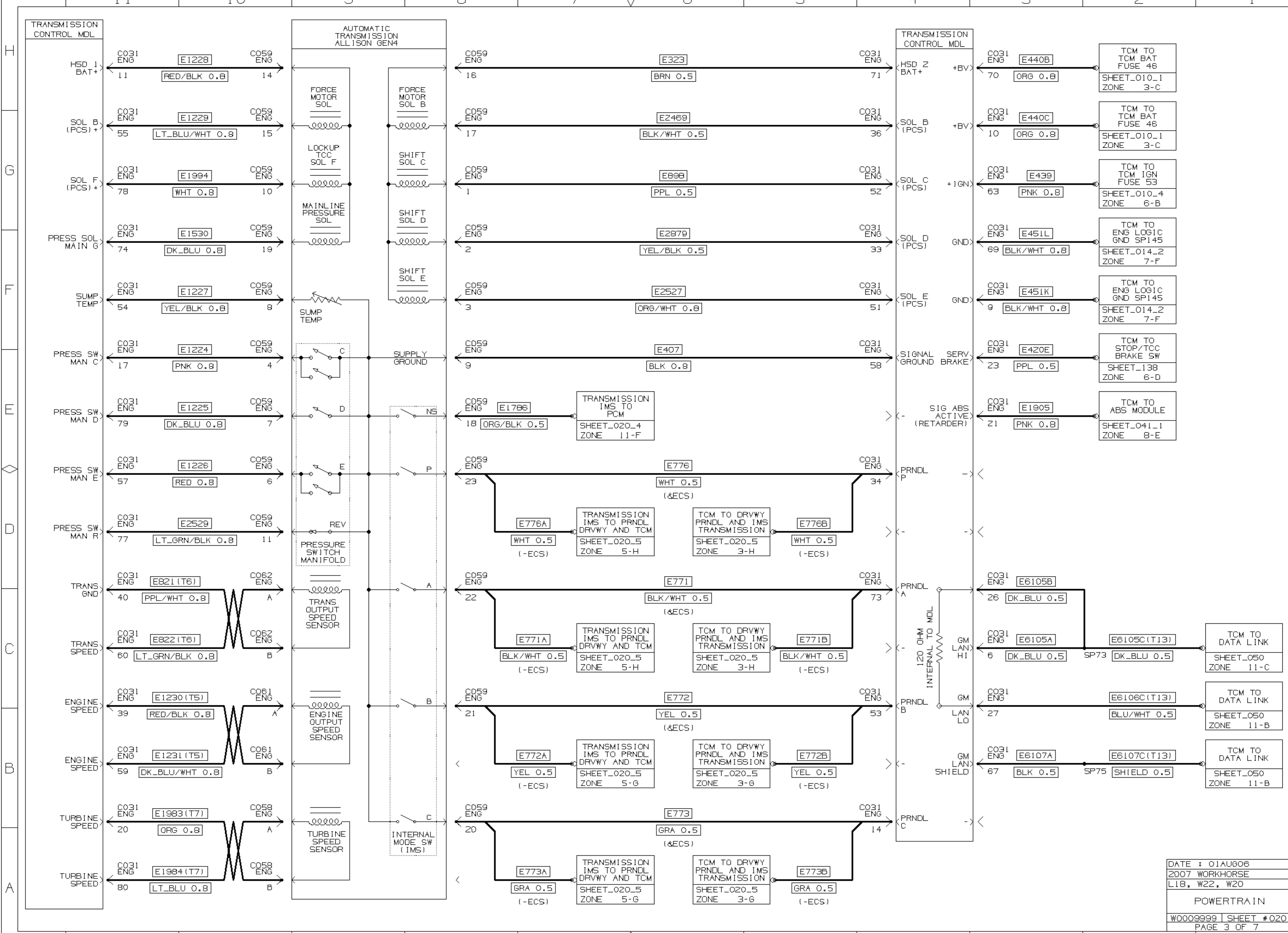


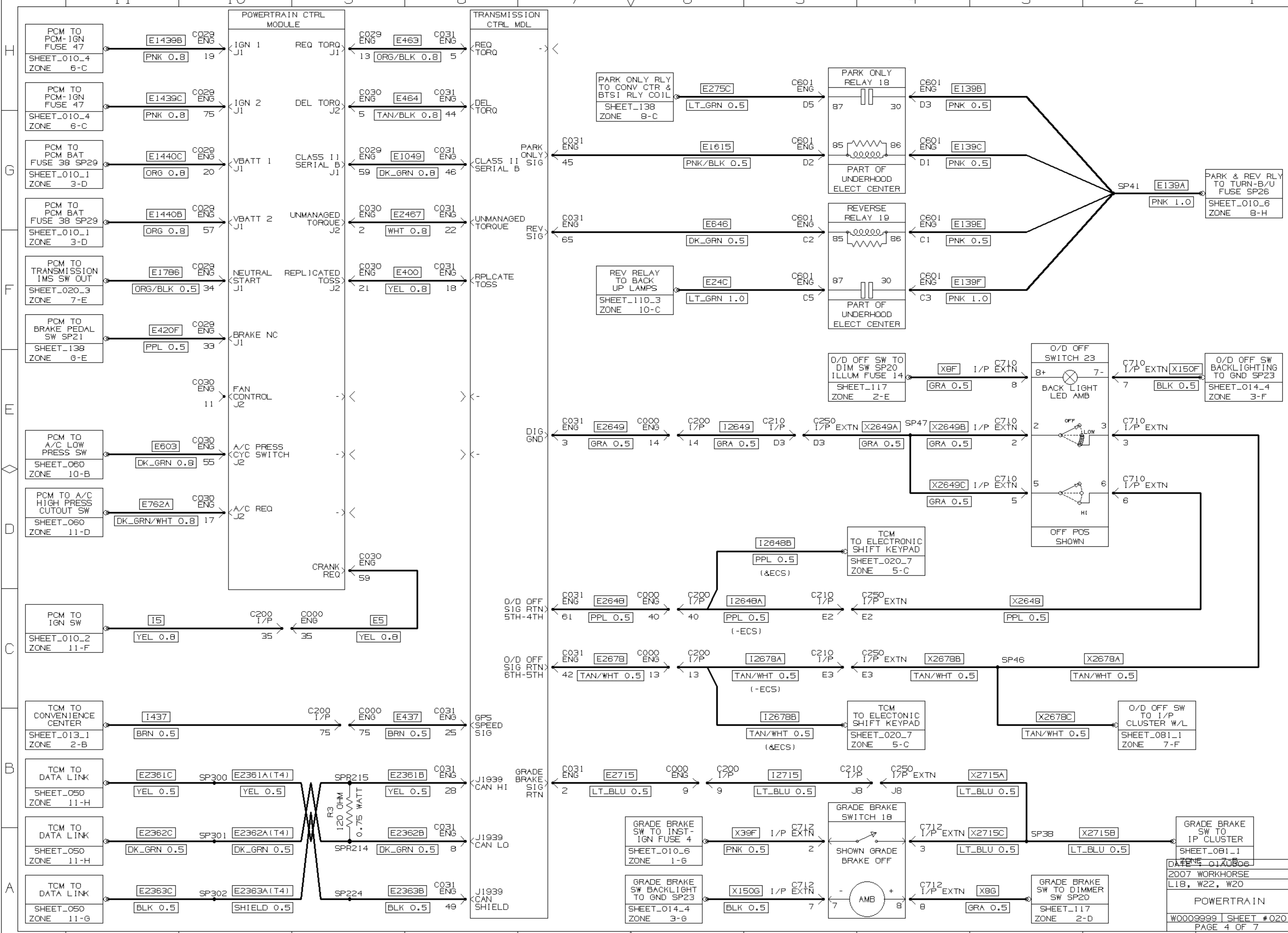


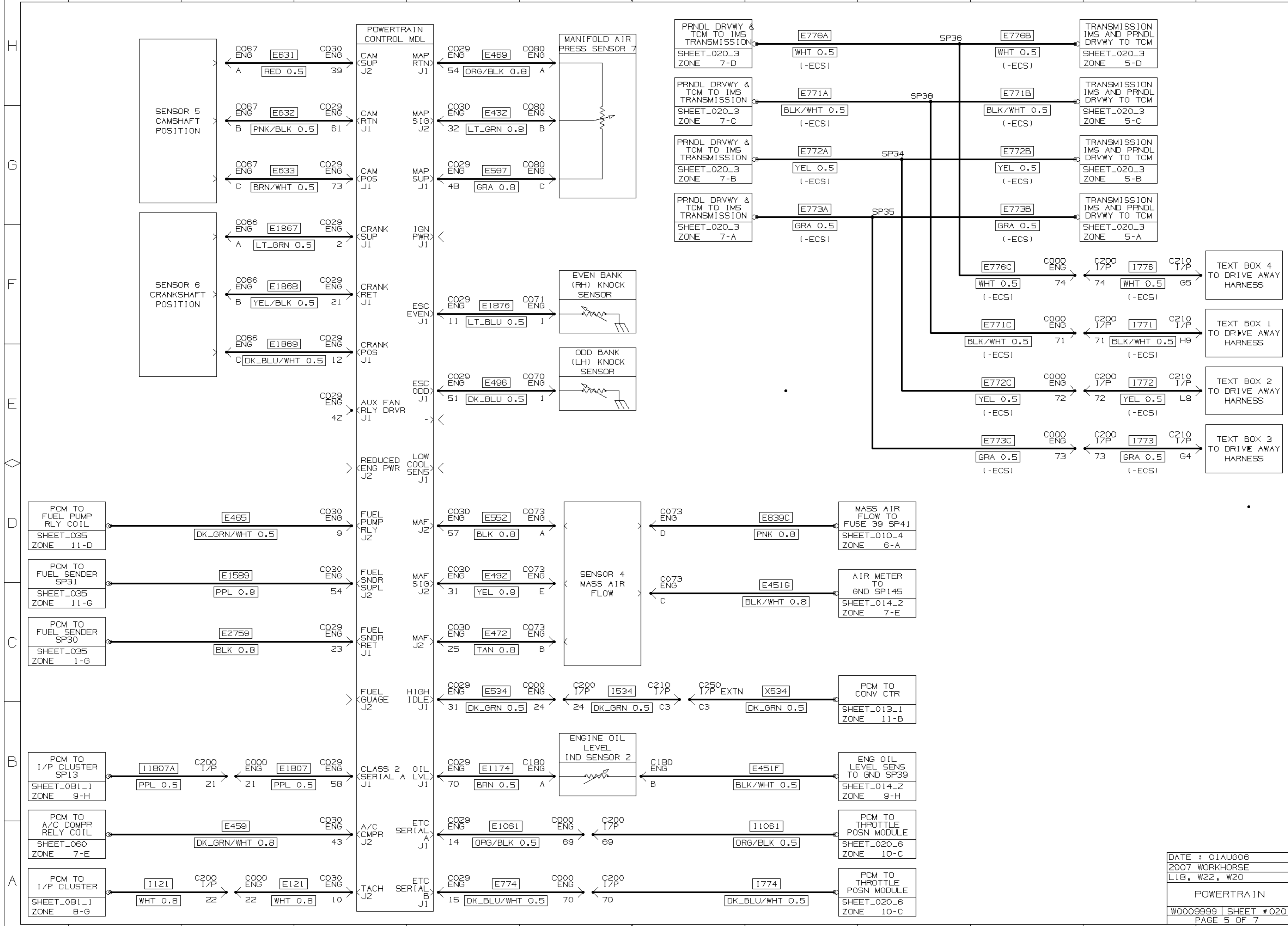
WORKHORSE CUSTOM CHASSIS

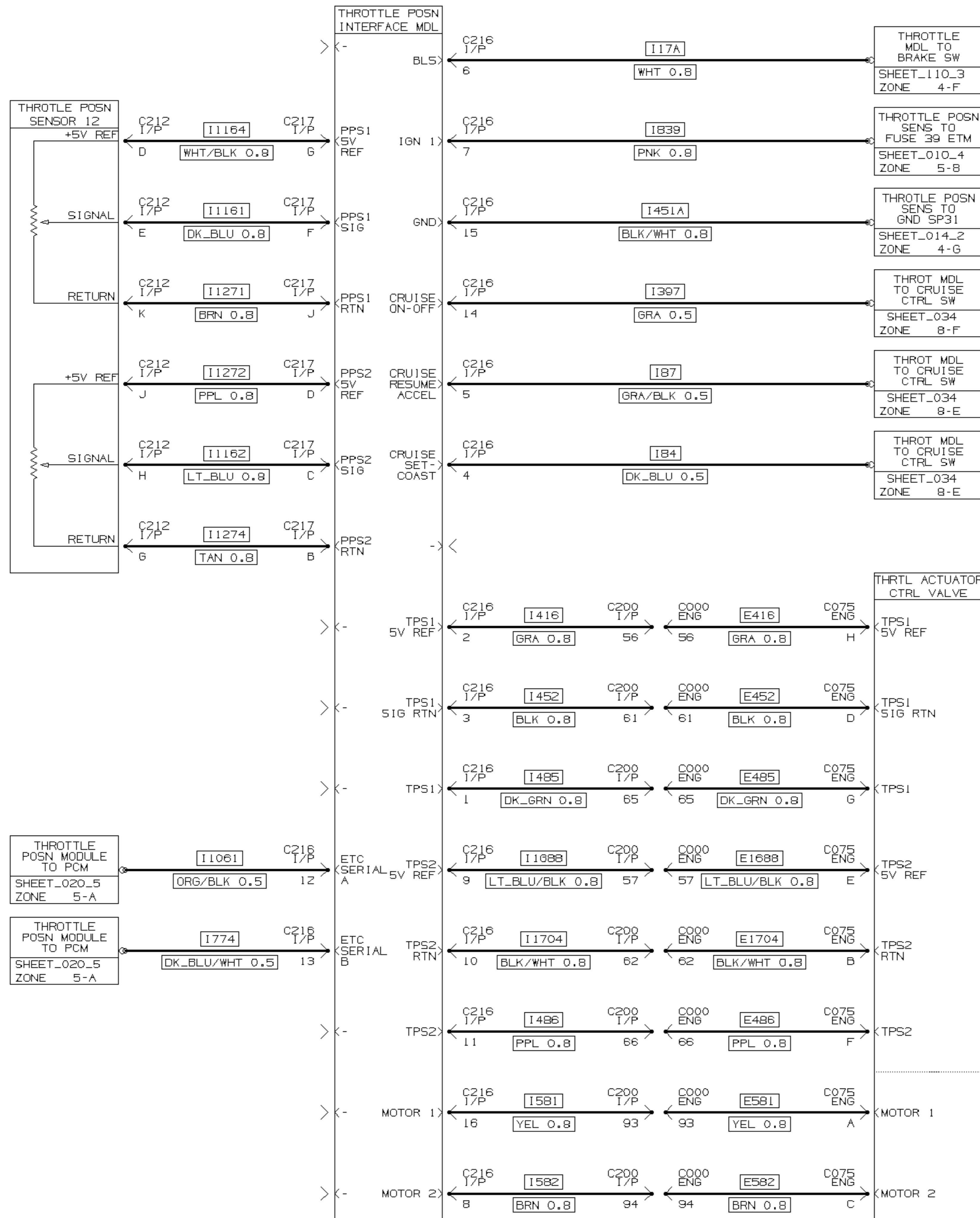


WORKHORSE CUSTOM CHASSIS

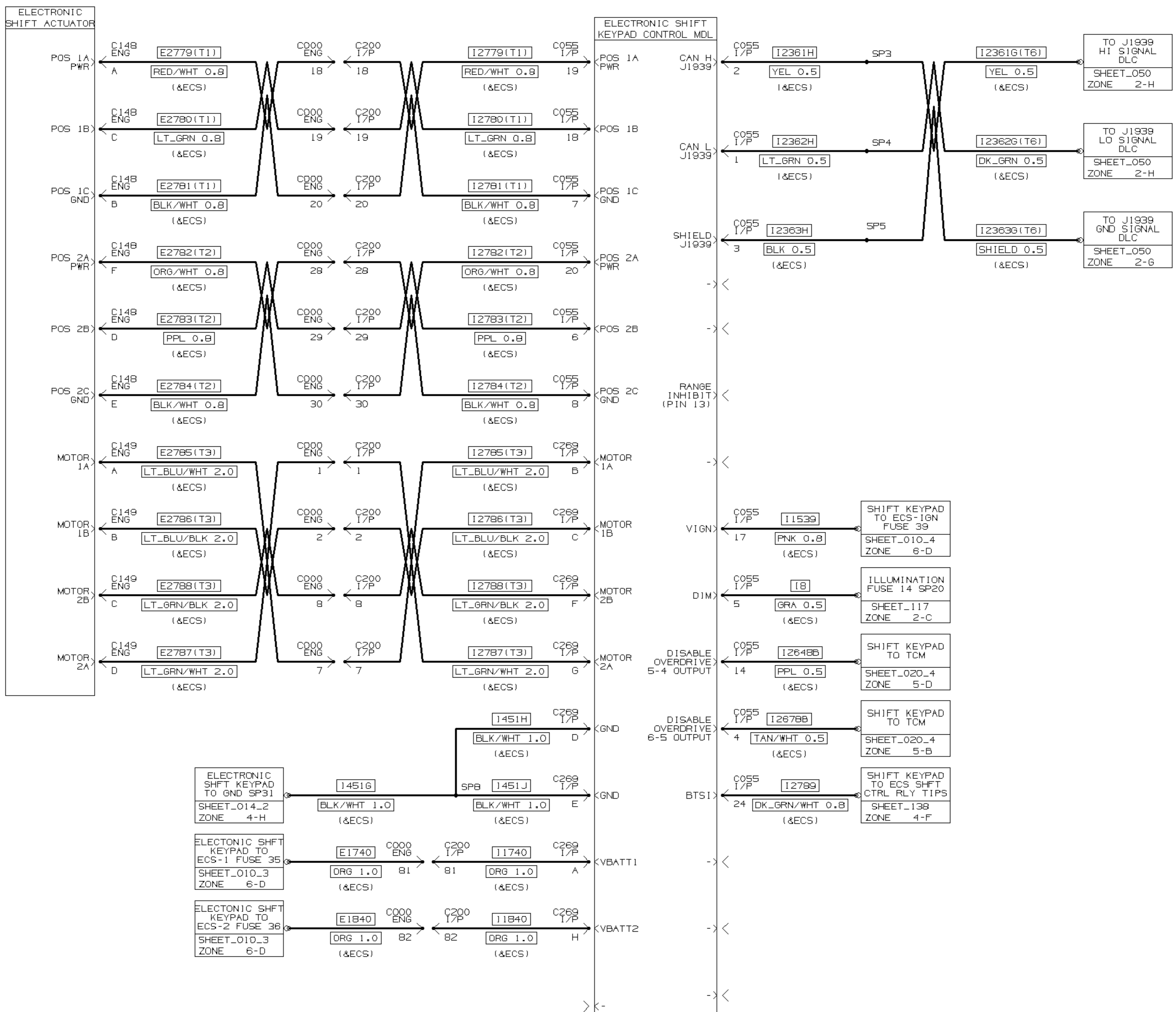


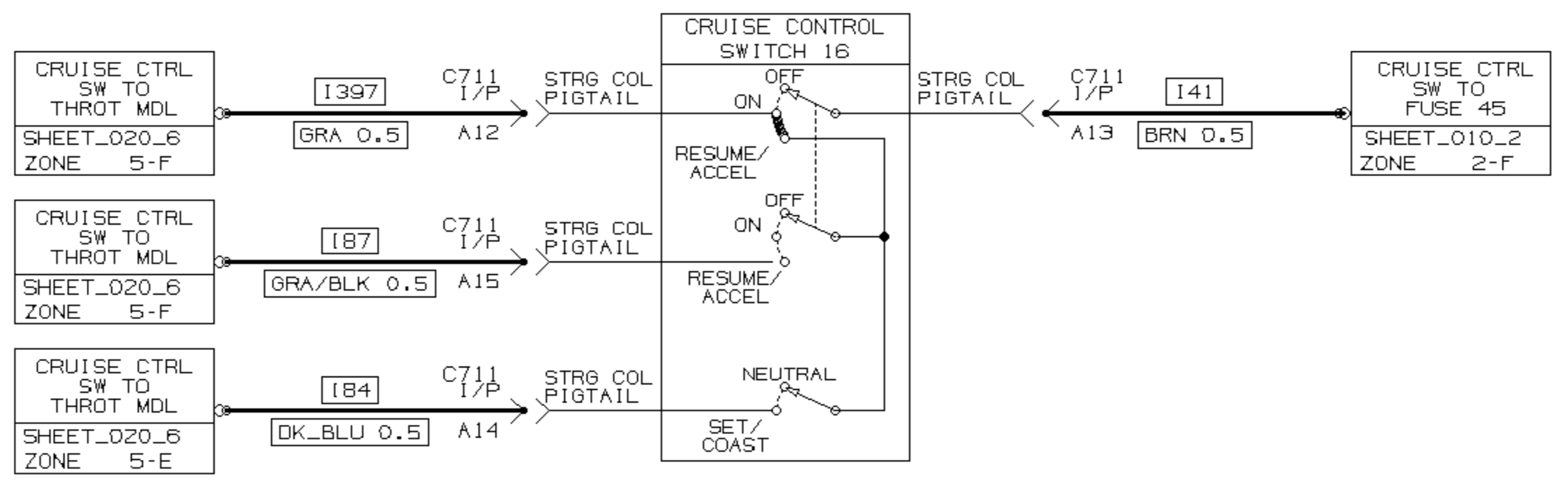




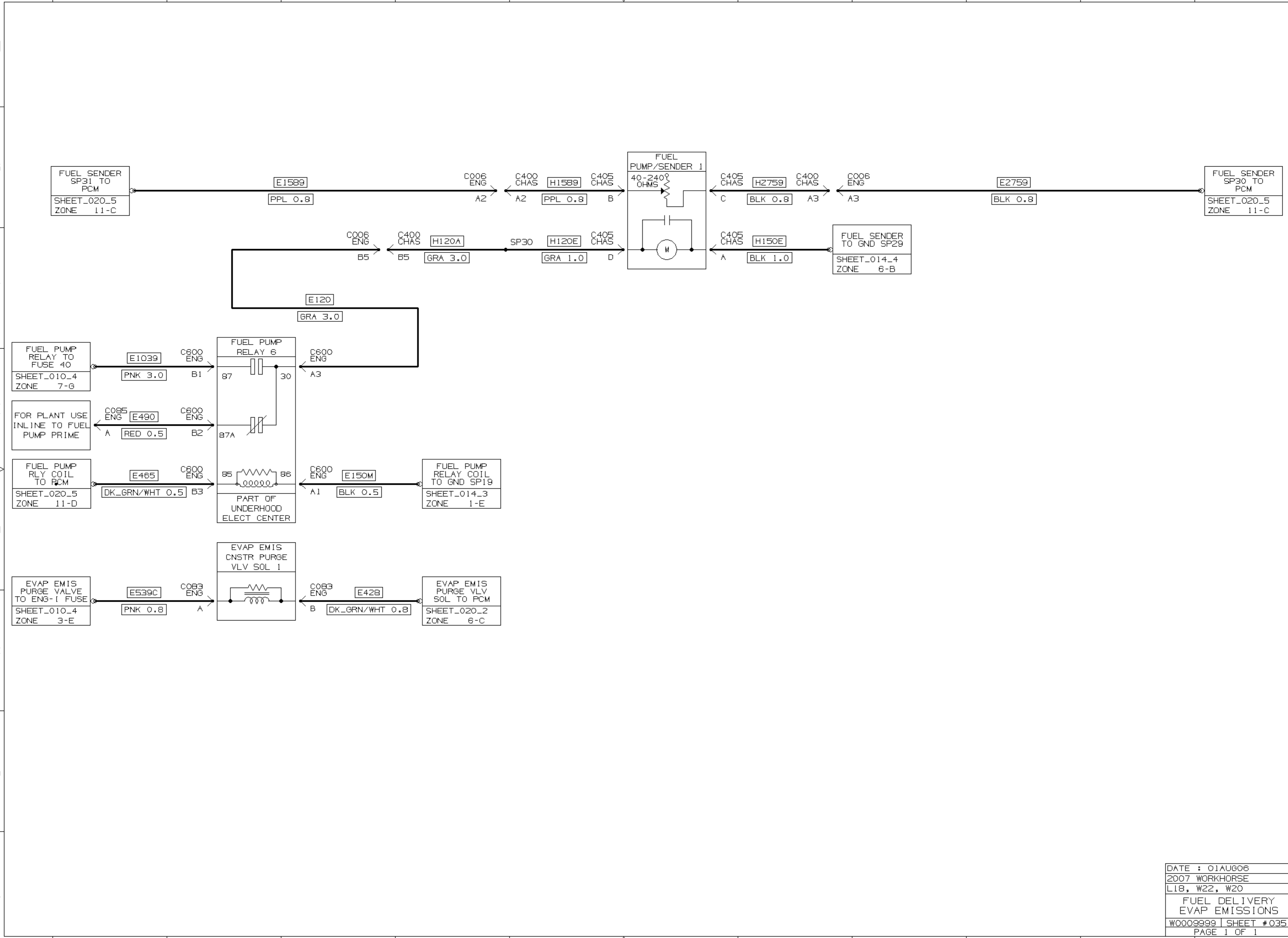


WORKHORSE CUSTOM CHASSIS

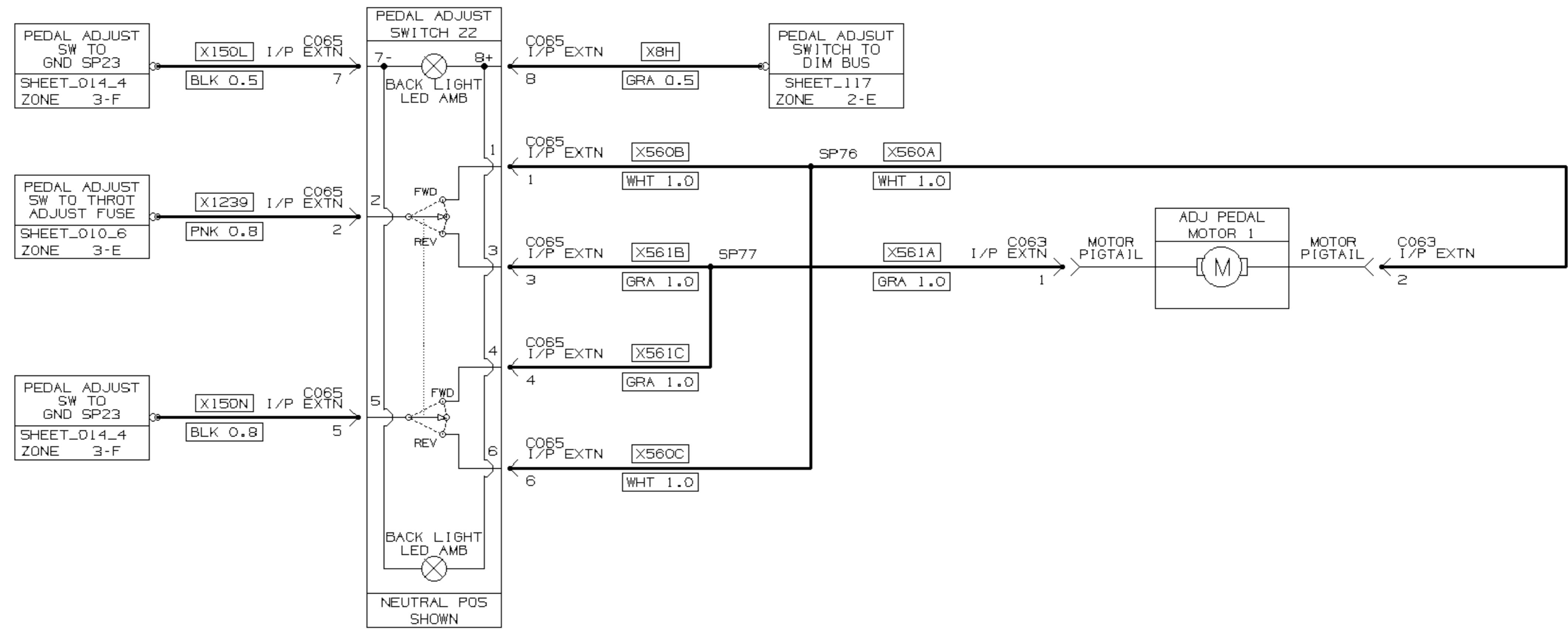


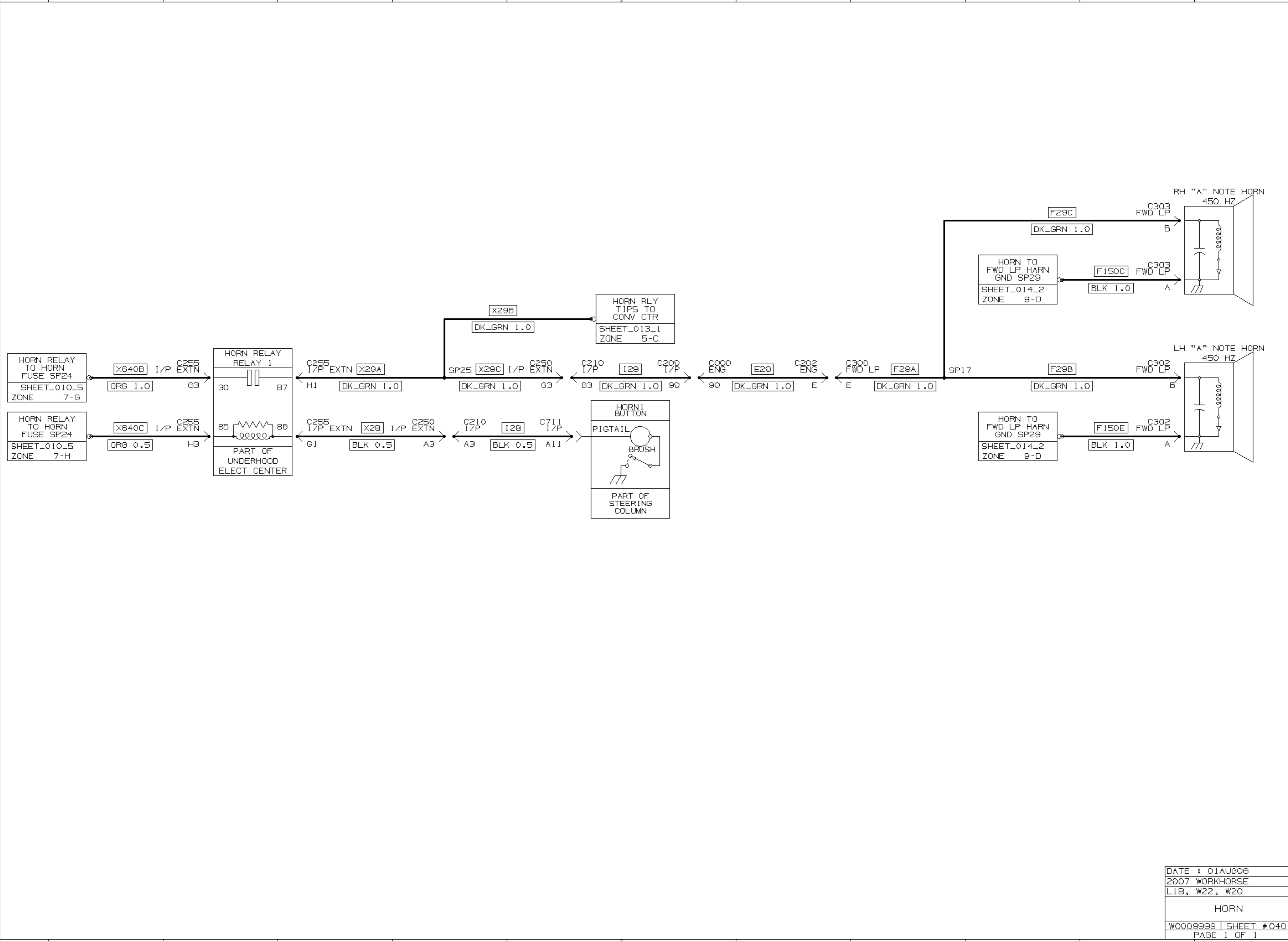


WORKHORSE CUSTOM CHASSIS



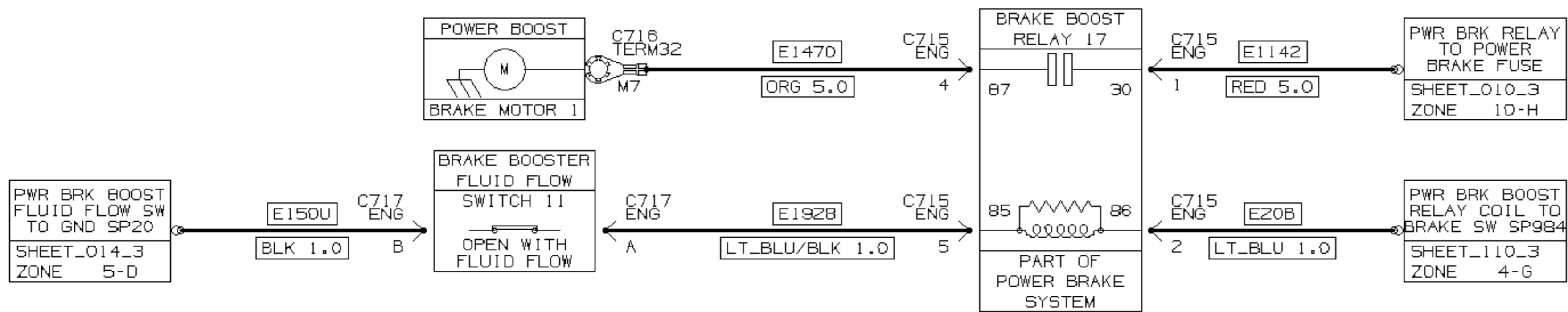
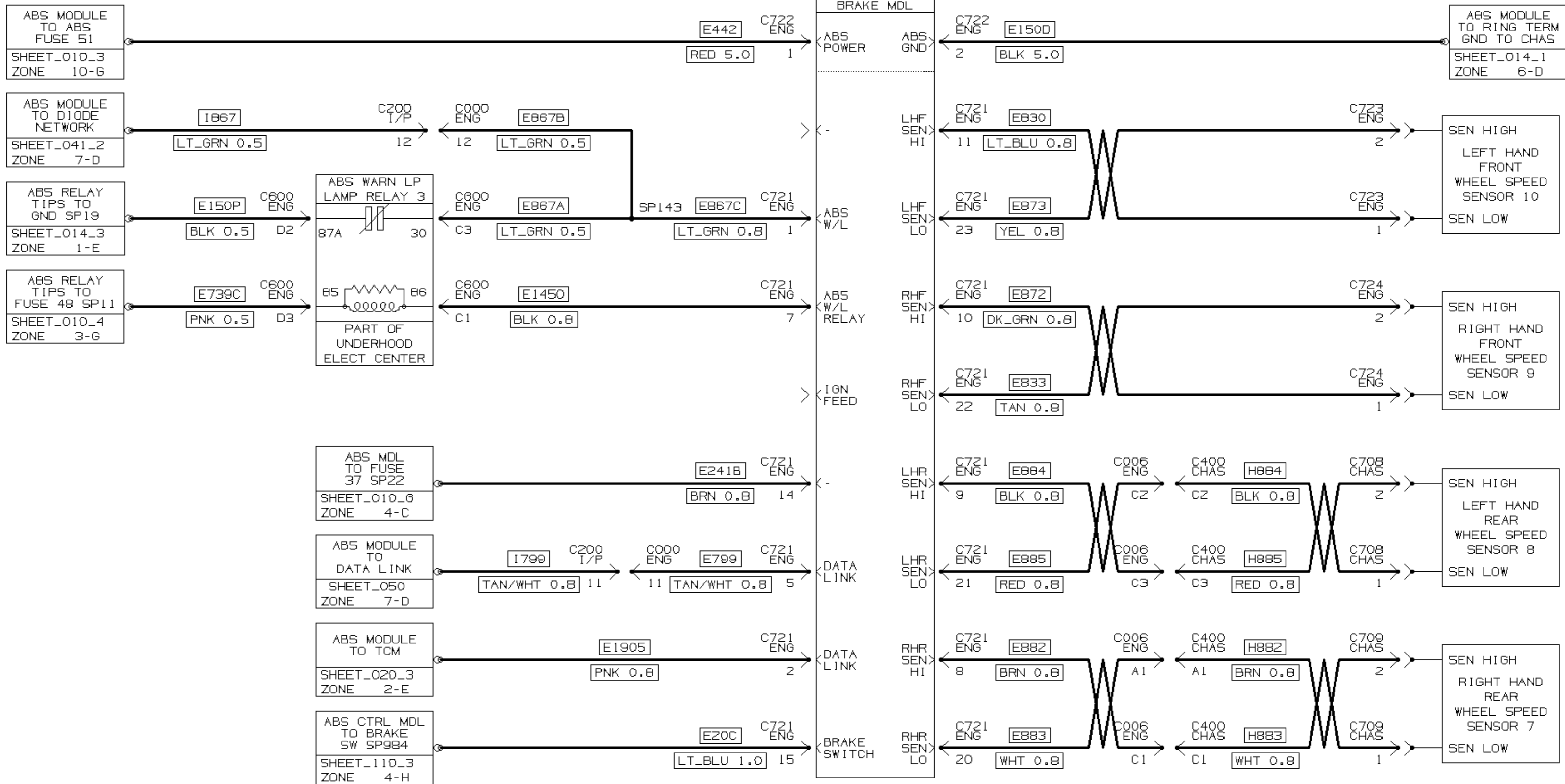
DATE : 01AUG06
2007 WORKHORSE
LIB, W22, W20
FUEL DELIVERY EVAP EMISSIONS
W0009999 SHEET #035
PAGE 1 OF 1



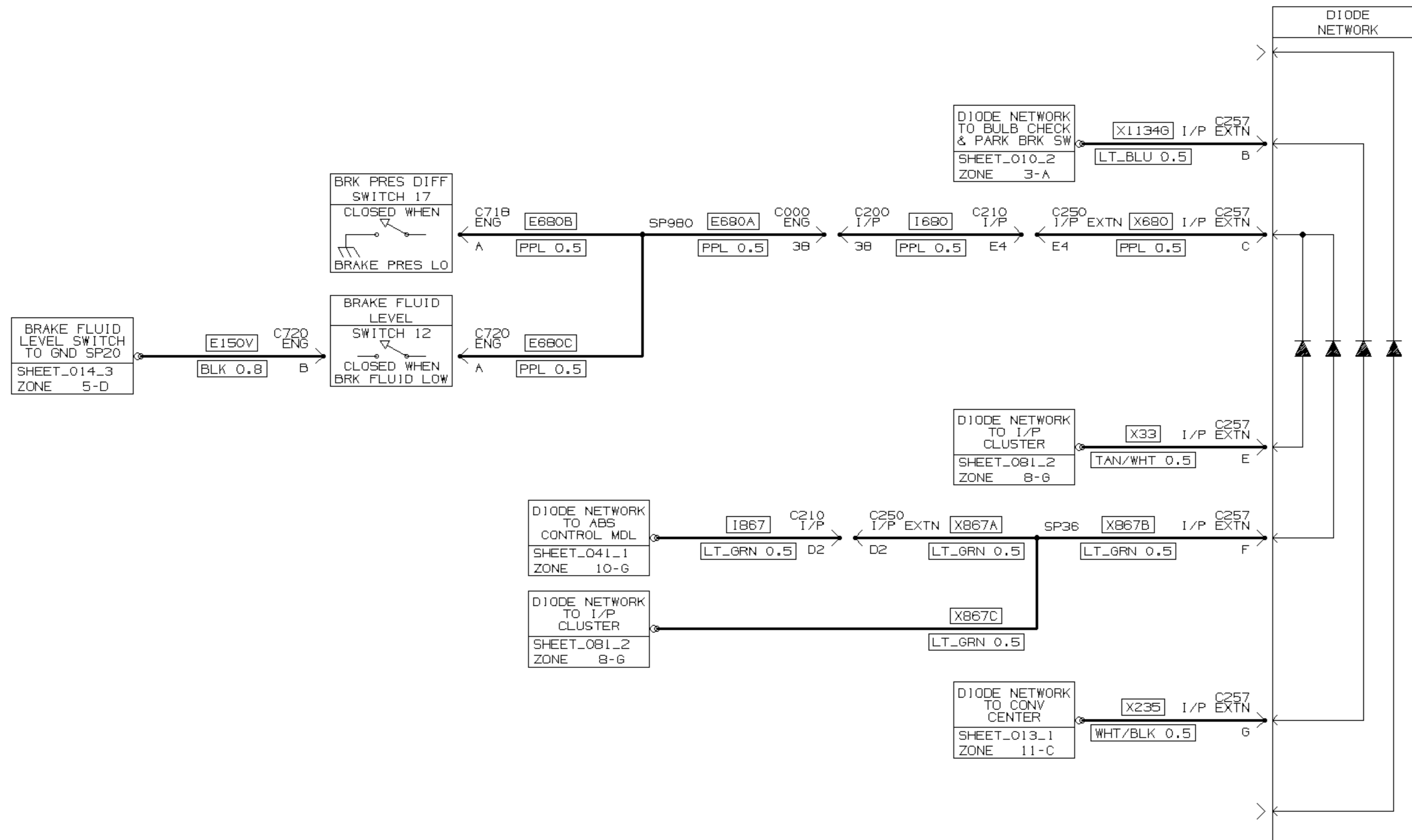


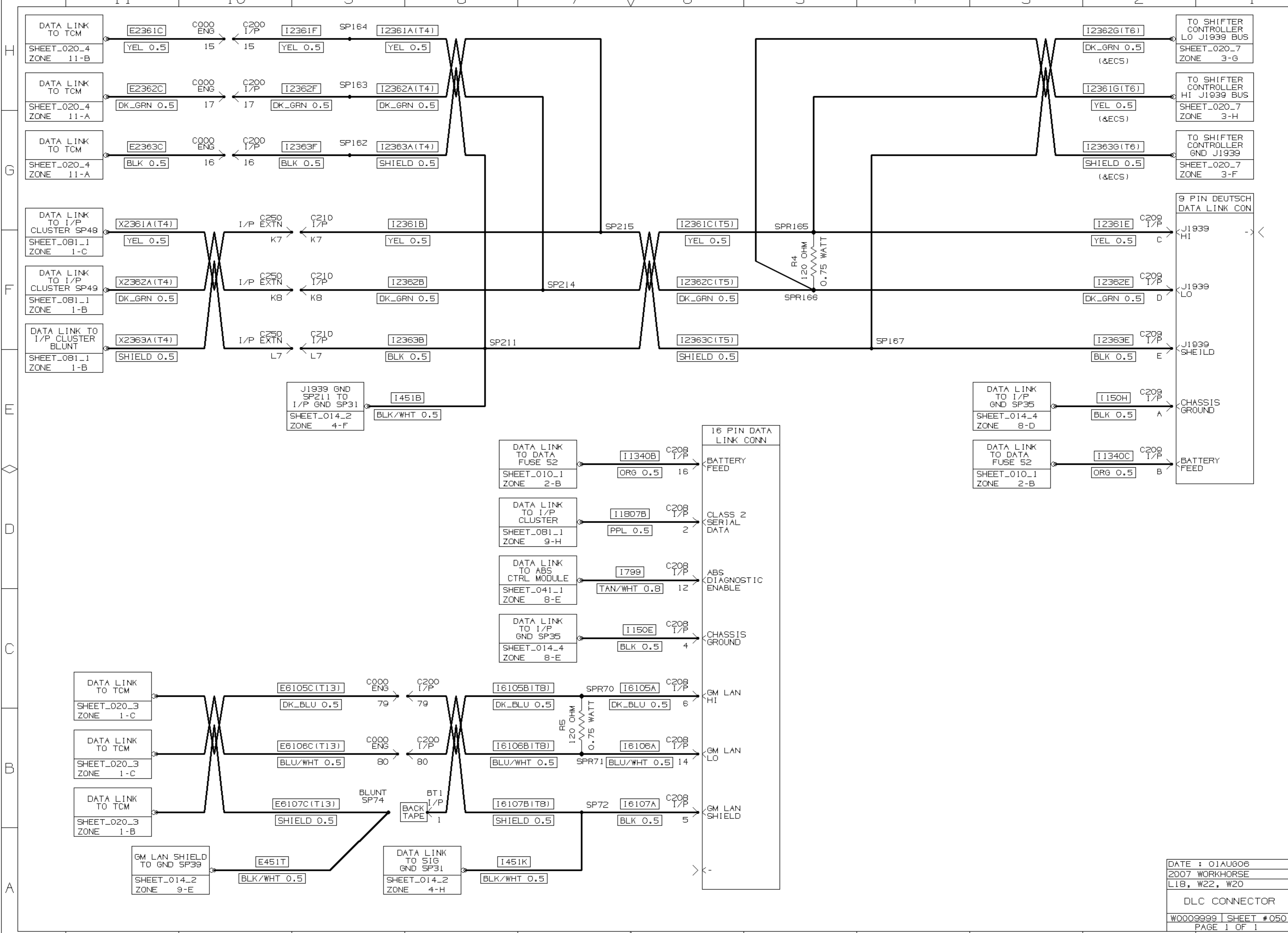
H
G
F
E
D
C
B
A

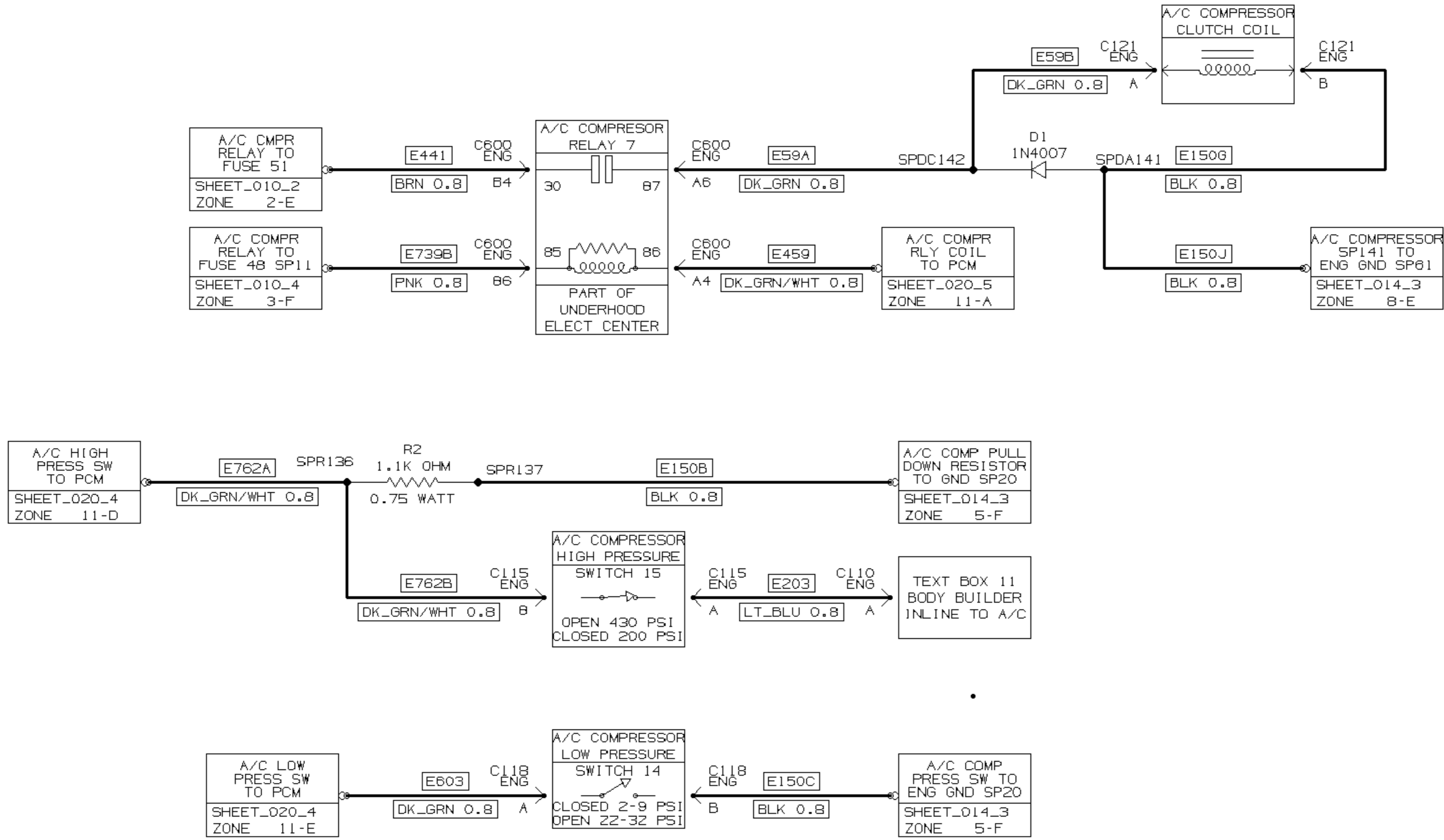
11 10 9 8 7 6 5 4 3 2 1

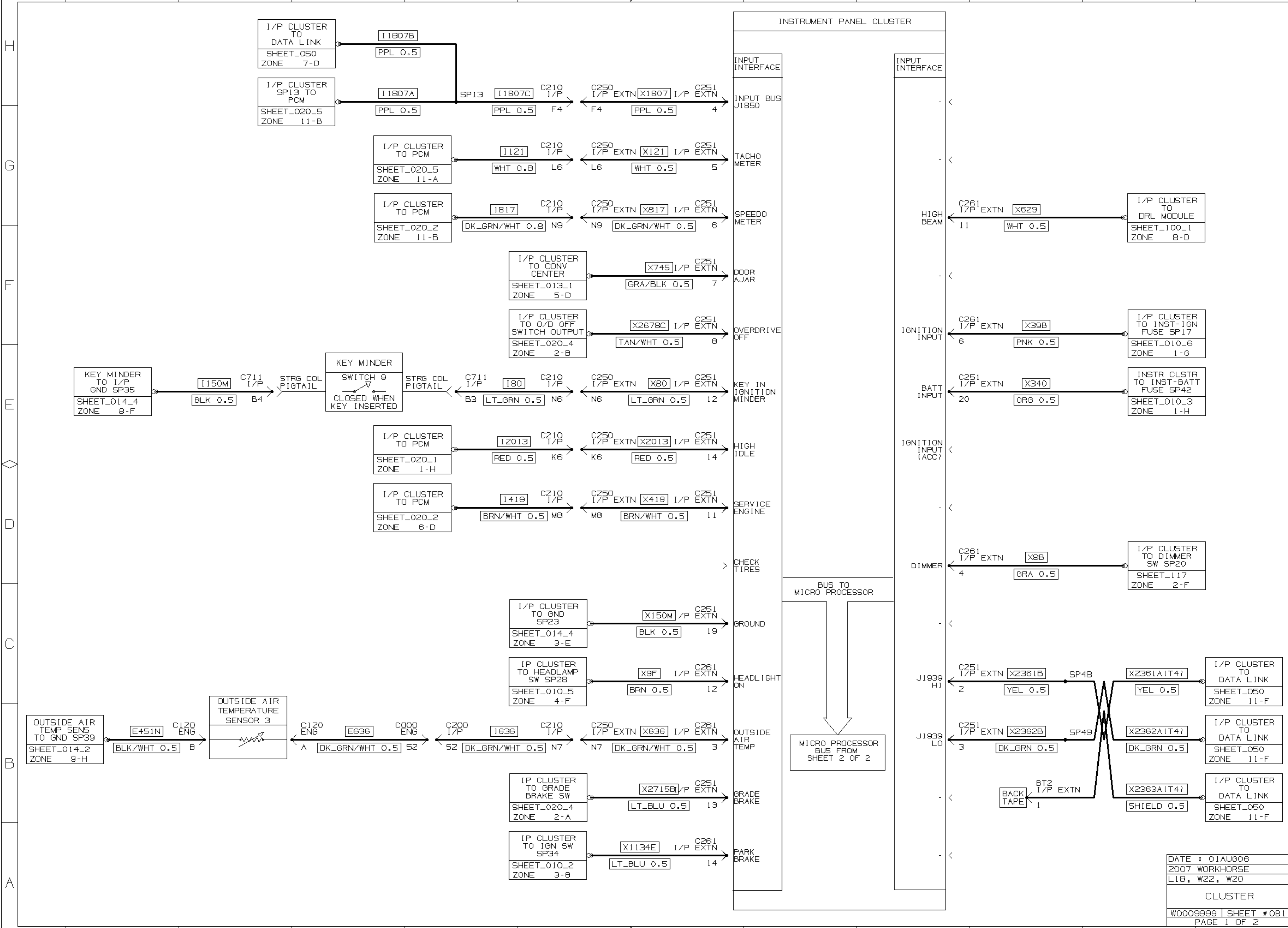


11 10 9 8 7 6 5 4 3 2 1



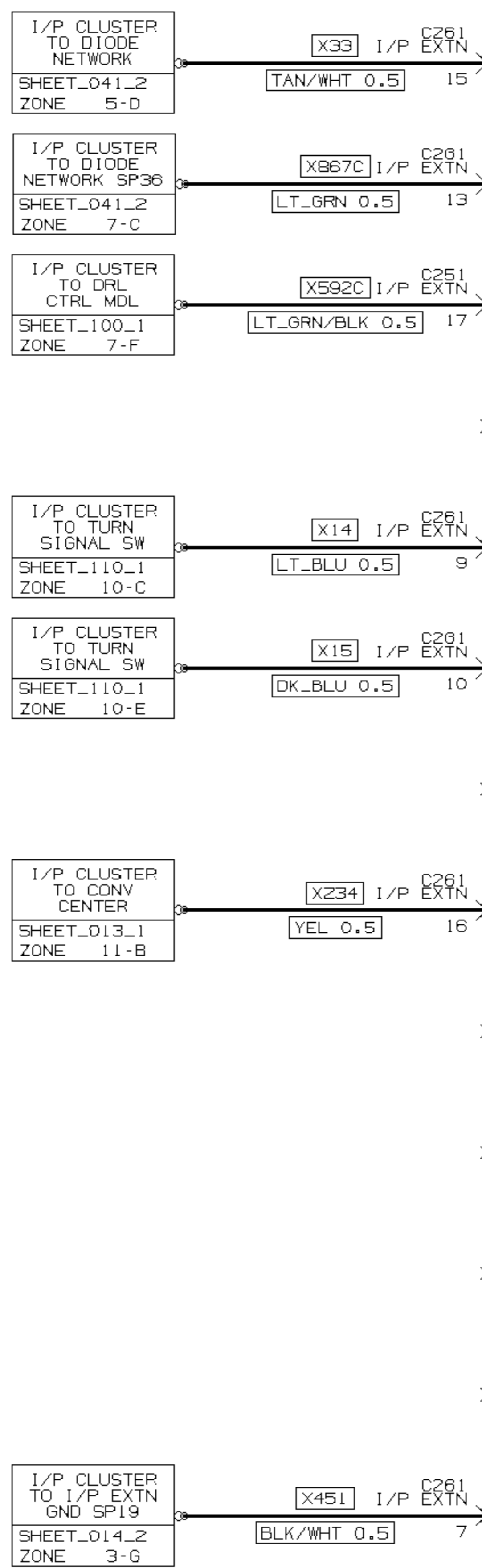
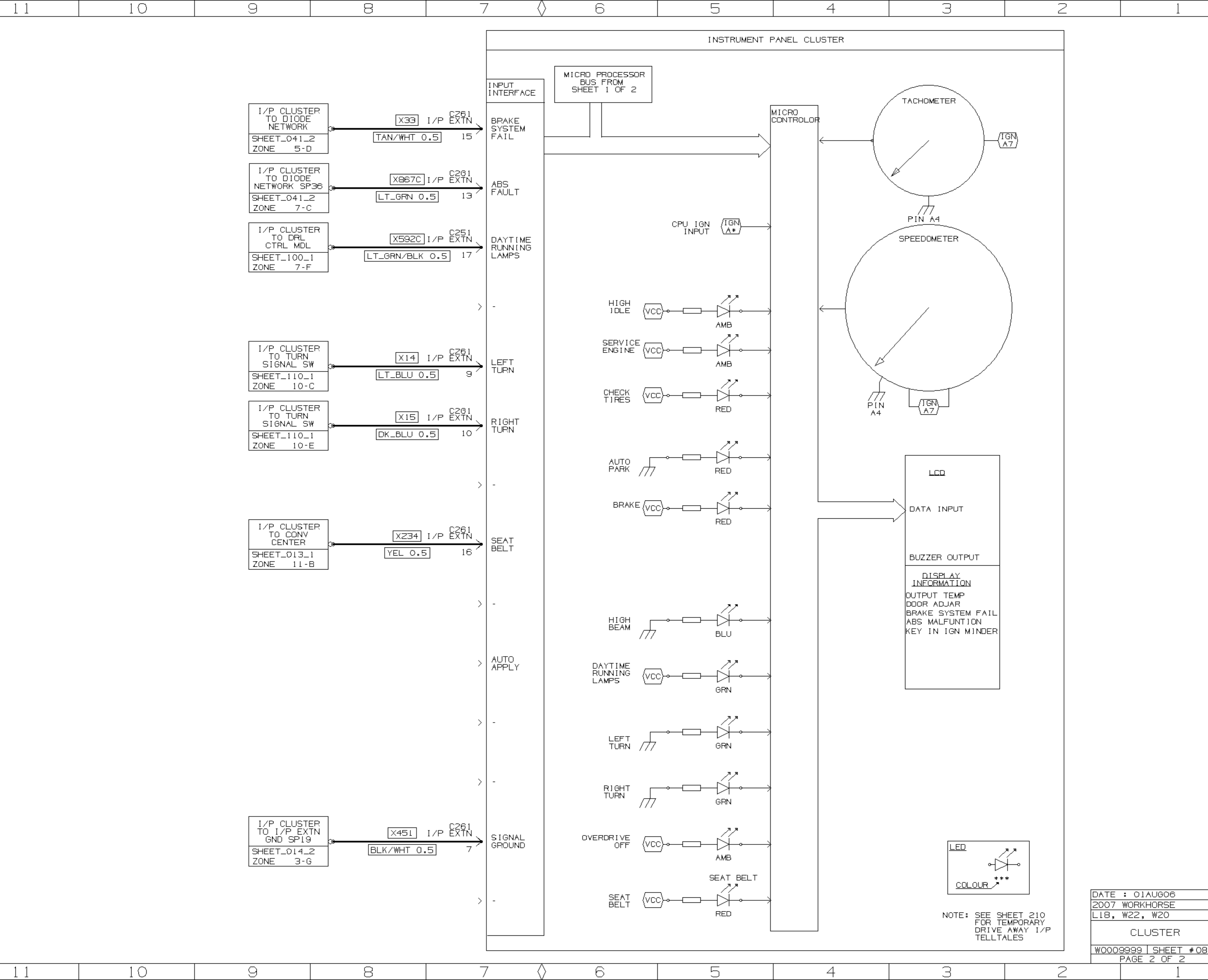






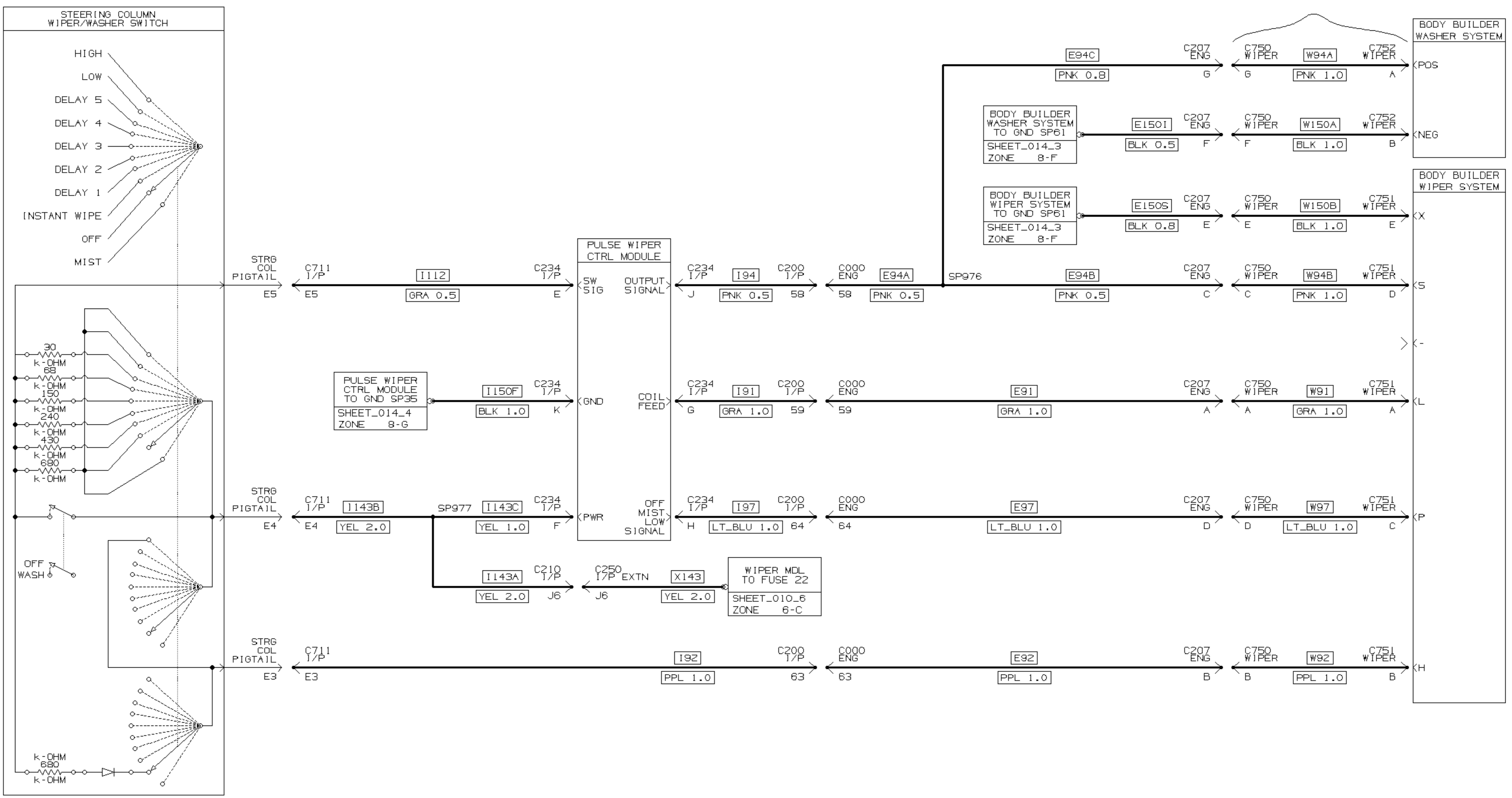
WORKHORSE CUSTOM CHASSIS

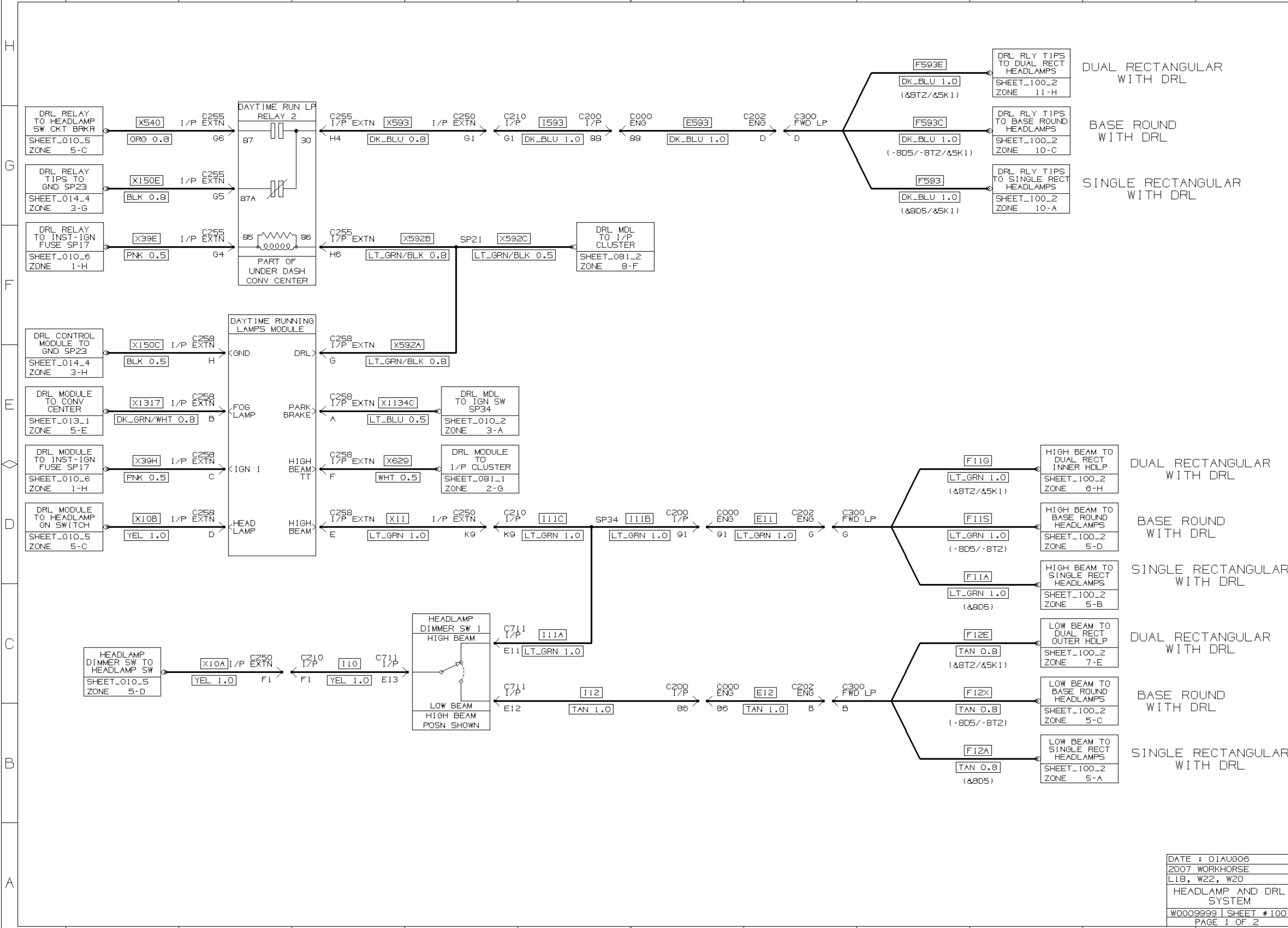
H
G
F
E
D
C
B
A



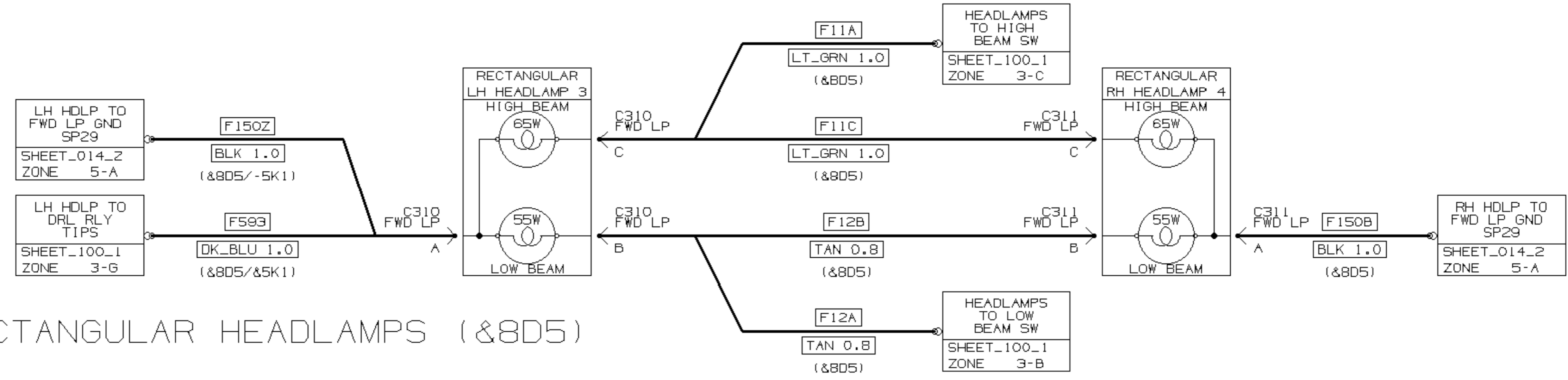
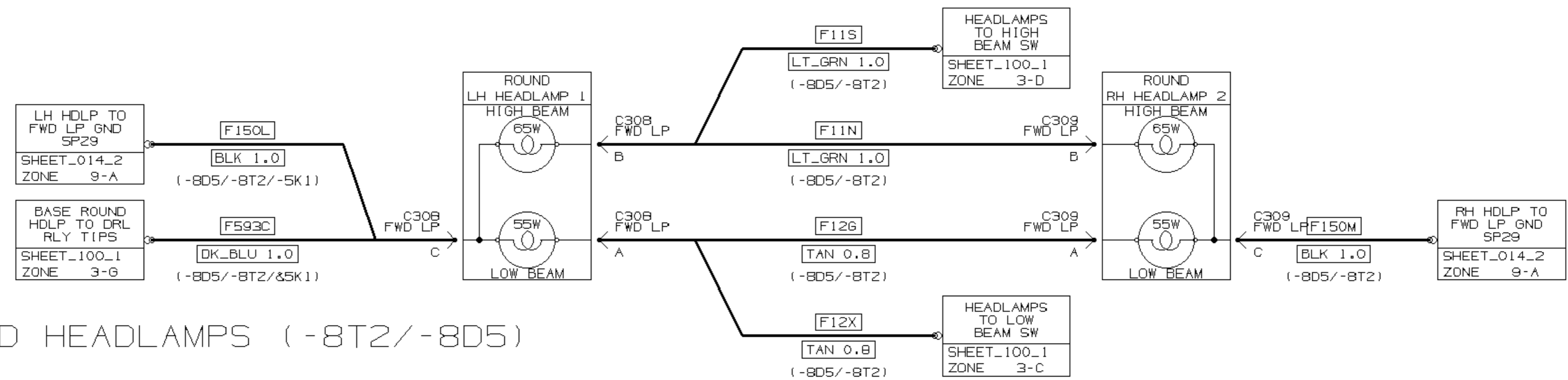
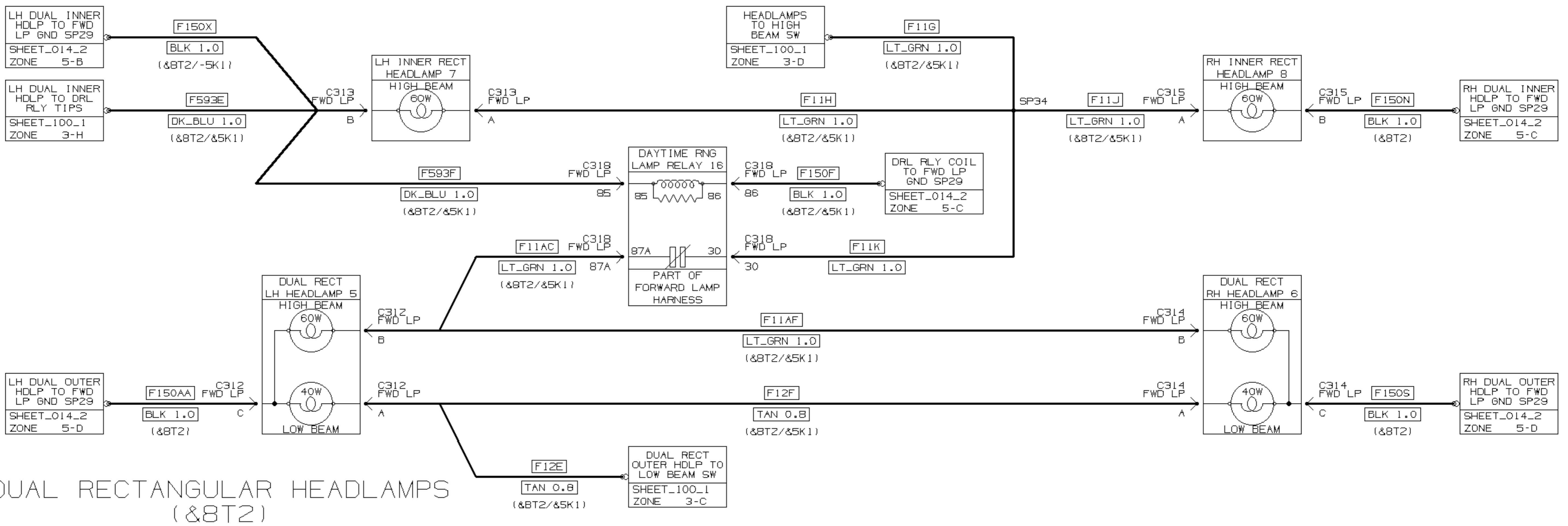
WORKHORSE CUSTOM CHASSIS

BODY BUILDER WIPER HARNESS



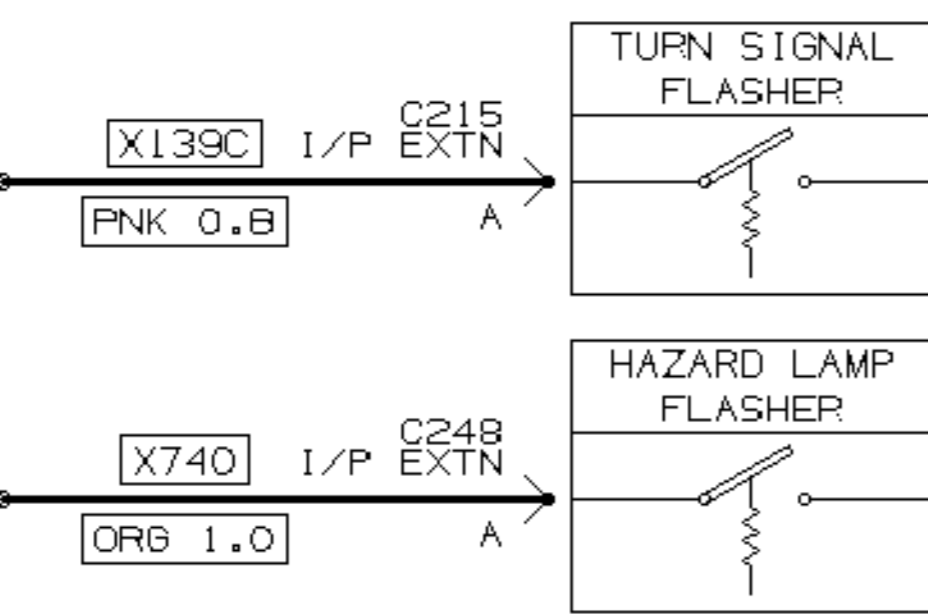


WORKHORSE CUSTOM CHASSIS



TURN SIGNAL FLASHER TO FUSE 10
SHEET_010_6
ZONE 3-F

HAZARD LP FLASHER TO HAZ FUSE 49
SHEET_010_3
ZONE 3-E



TURN SIGNAL SW TO I/P CLUSTER
SHEET_081_2
ZONE 8-E

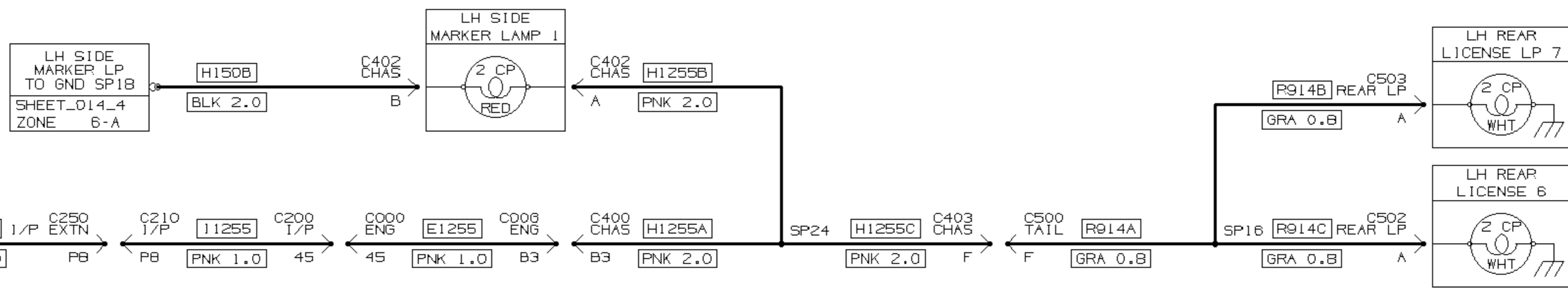
TURN SIGNAL SW TO RH FRONT INDICATOR LPS
SHEET_110_2
ZONE 1-F

TURN SIGNAL SW TO LH FRONT INDICATOR LPS
SHEET_110_2
ZONE 1-G

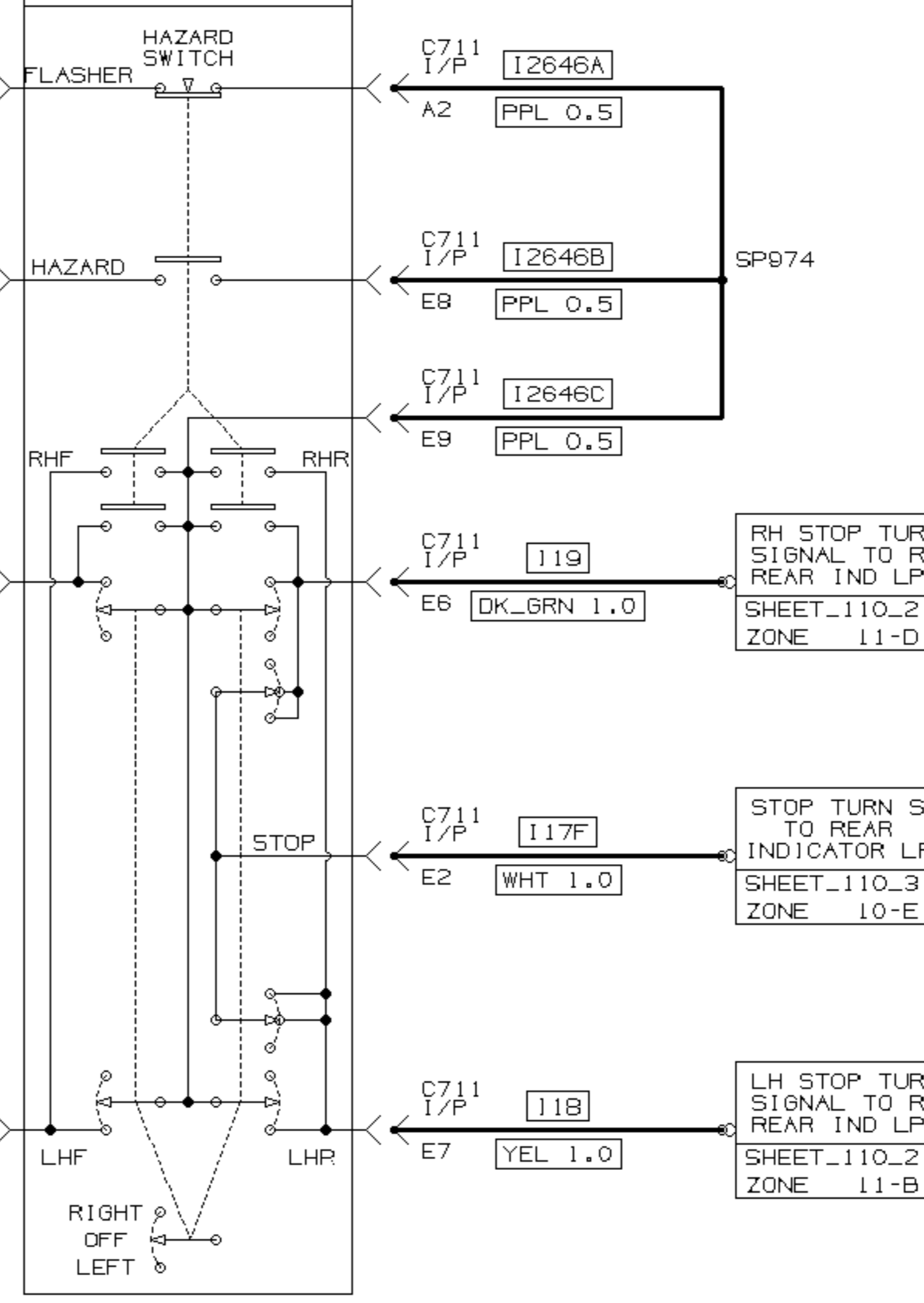
TURN SIGNAL SW TO I/P CLUSTER
SHEET_081_2
ZONE 8-F

LH SIDE MARKER LP TO GND SP18
SHEET_014_4
ZONE 6-A

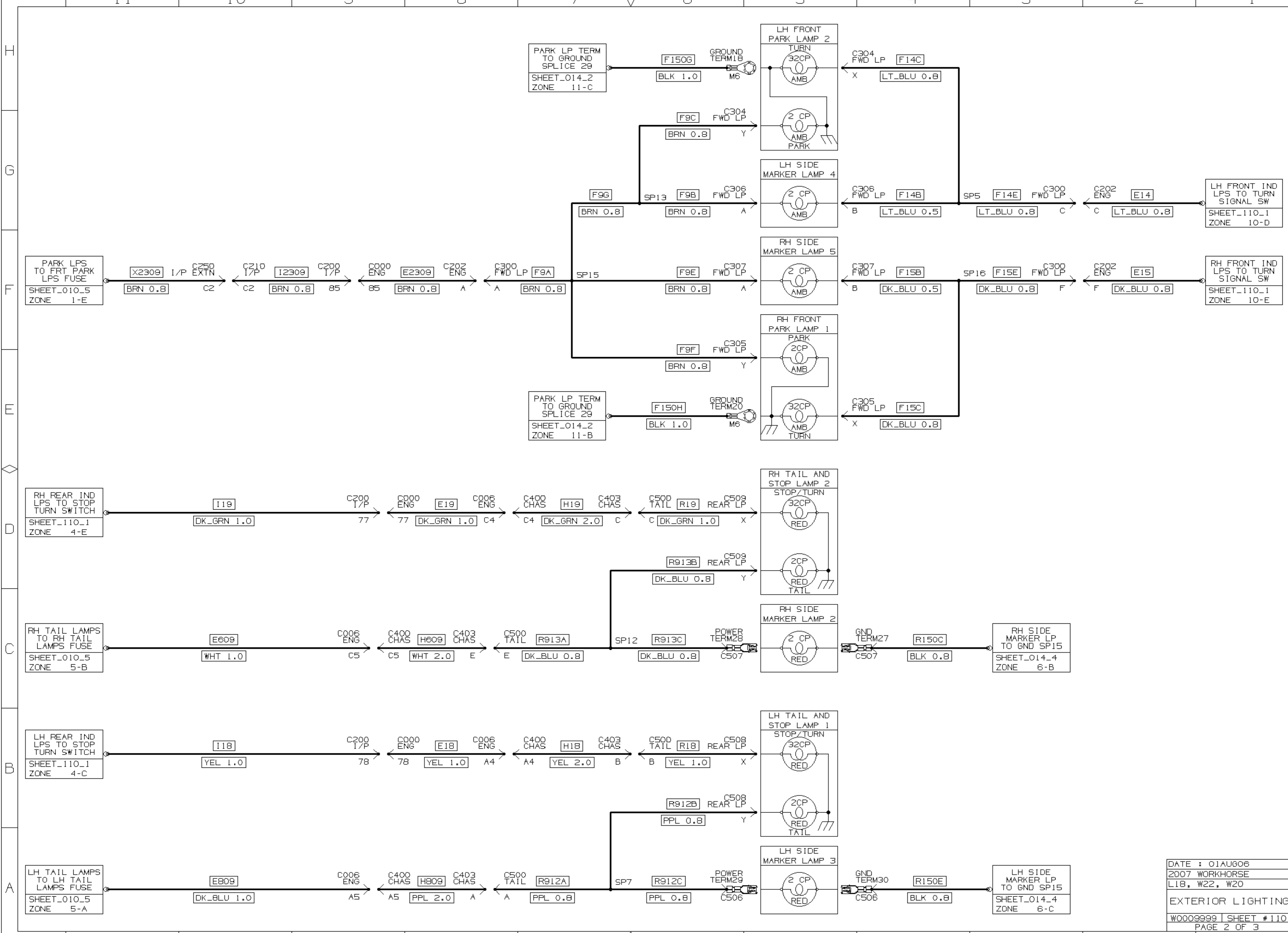
LICENSE LP TO MKR LPS FUSE SP29
SHEET_010_5
ZONE 1-D



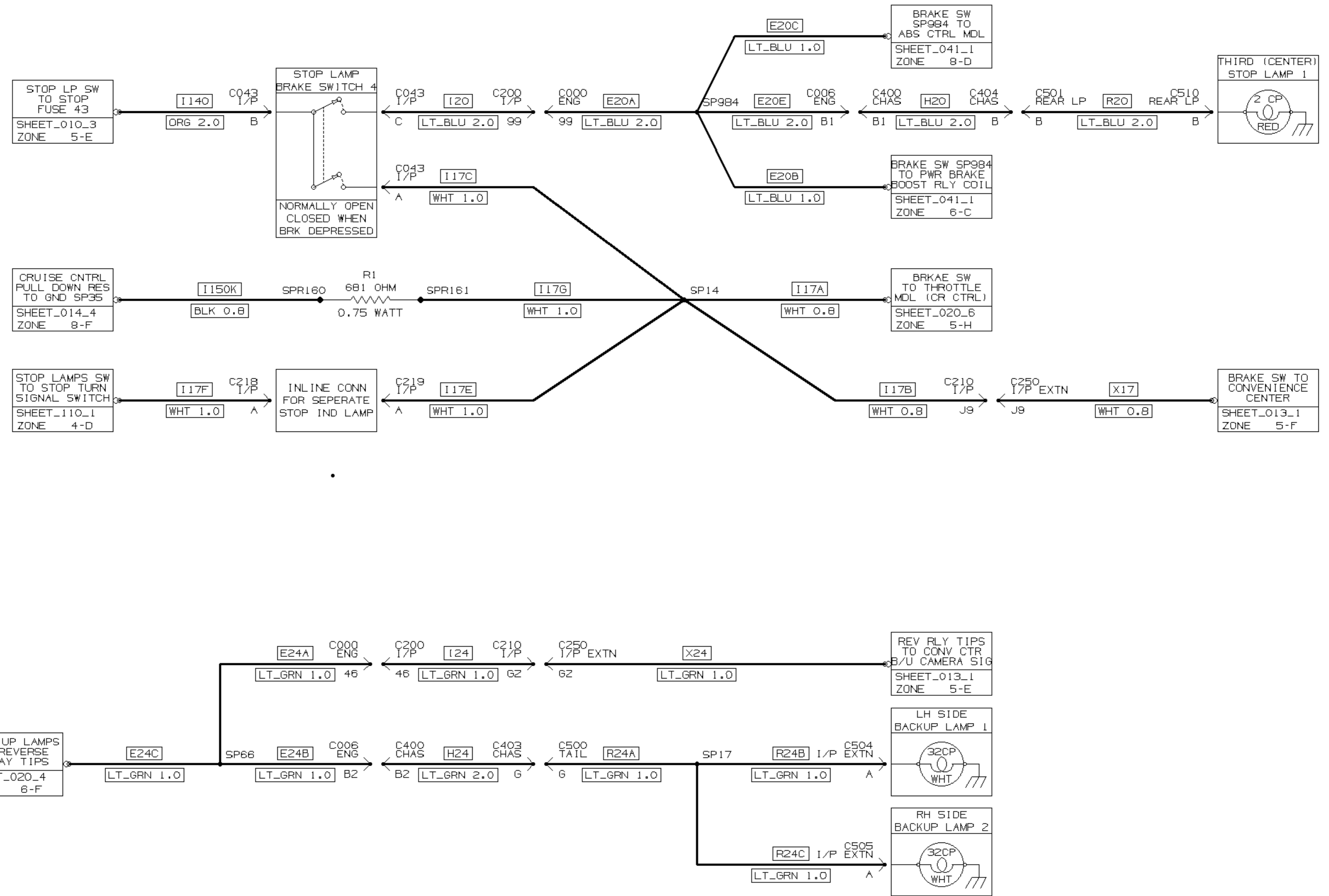
TURN SIGNAL SWITCH 1



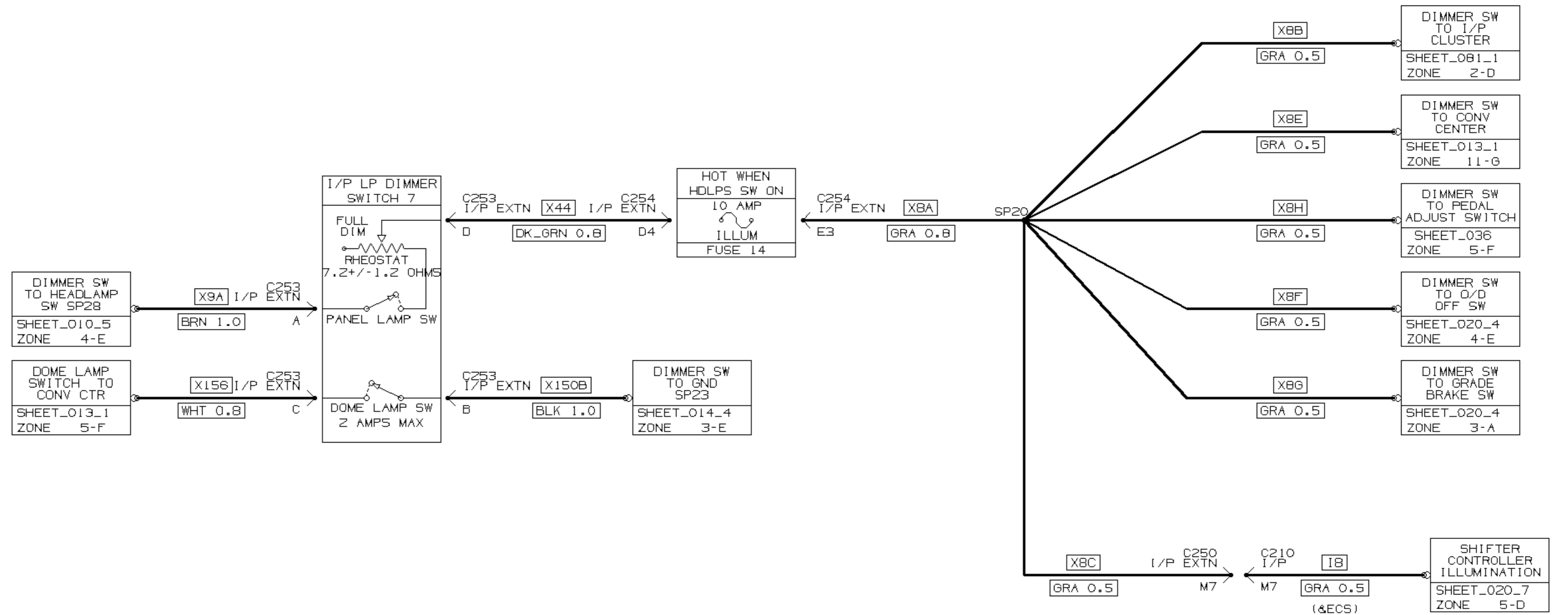
WORKHORSE CUSTOM CHASSIS



DATE : 01AUG06
 2007 WORKHORSE
 L18, W22, W20
 EXTERIOR LIGHTING
 W0009999 | SHEET # 110
 PAGE 2 OF 3

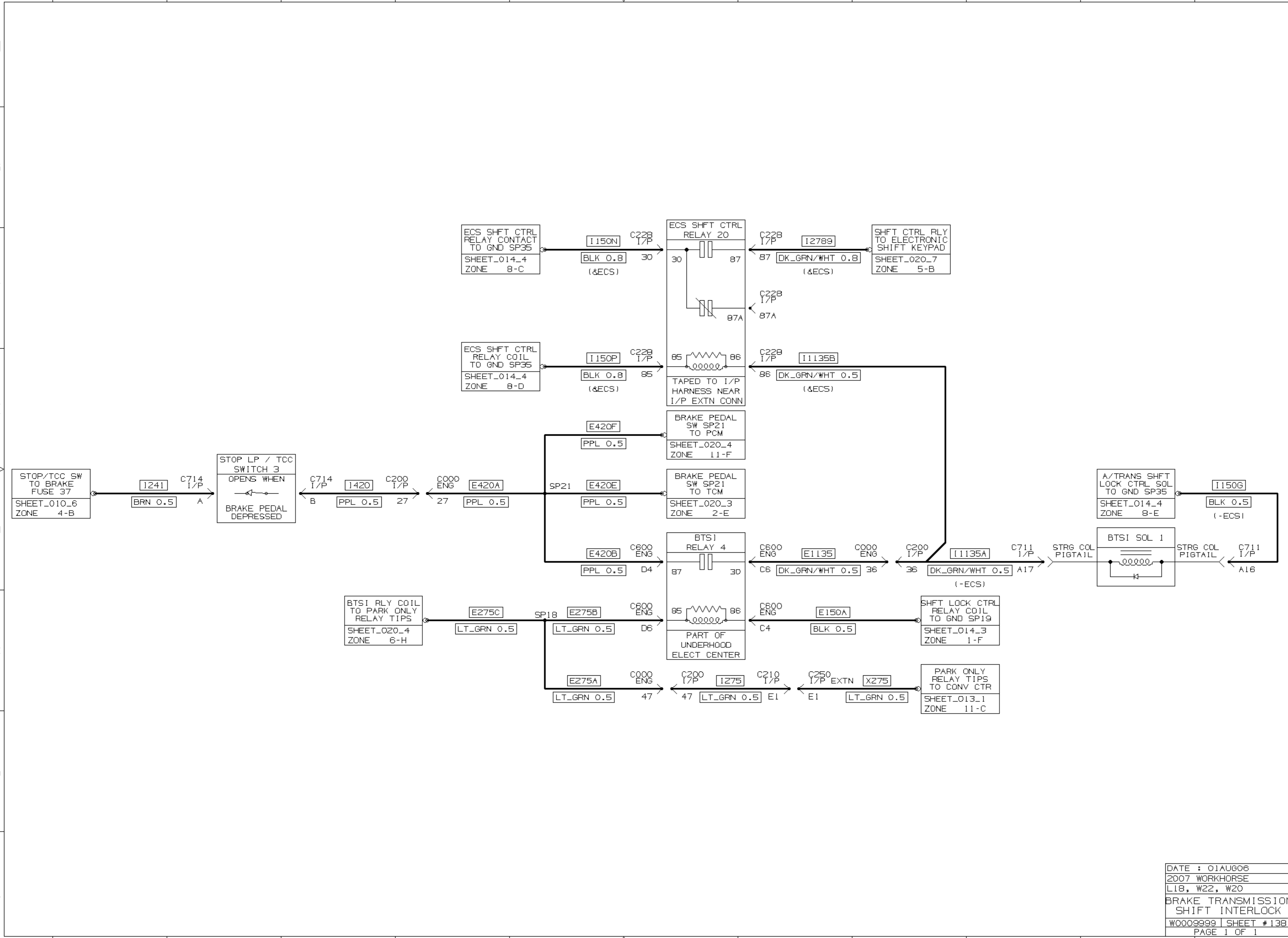


WORKHORSE CUSTOM CHASSIS



DATE : 01AUG06
 2007 WORKHORSE
 LIB, W22, W20
 INSTRUMENT PANEL
 DIMMING
 W0009999 | SHEET # 117
 PAGE 1 OF 1

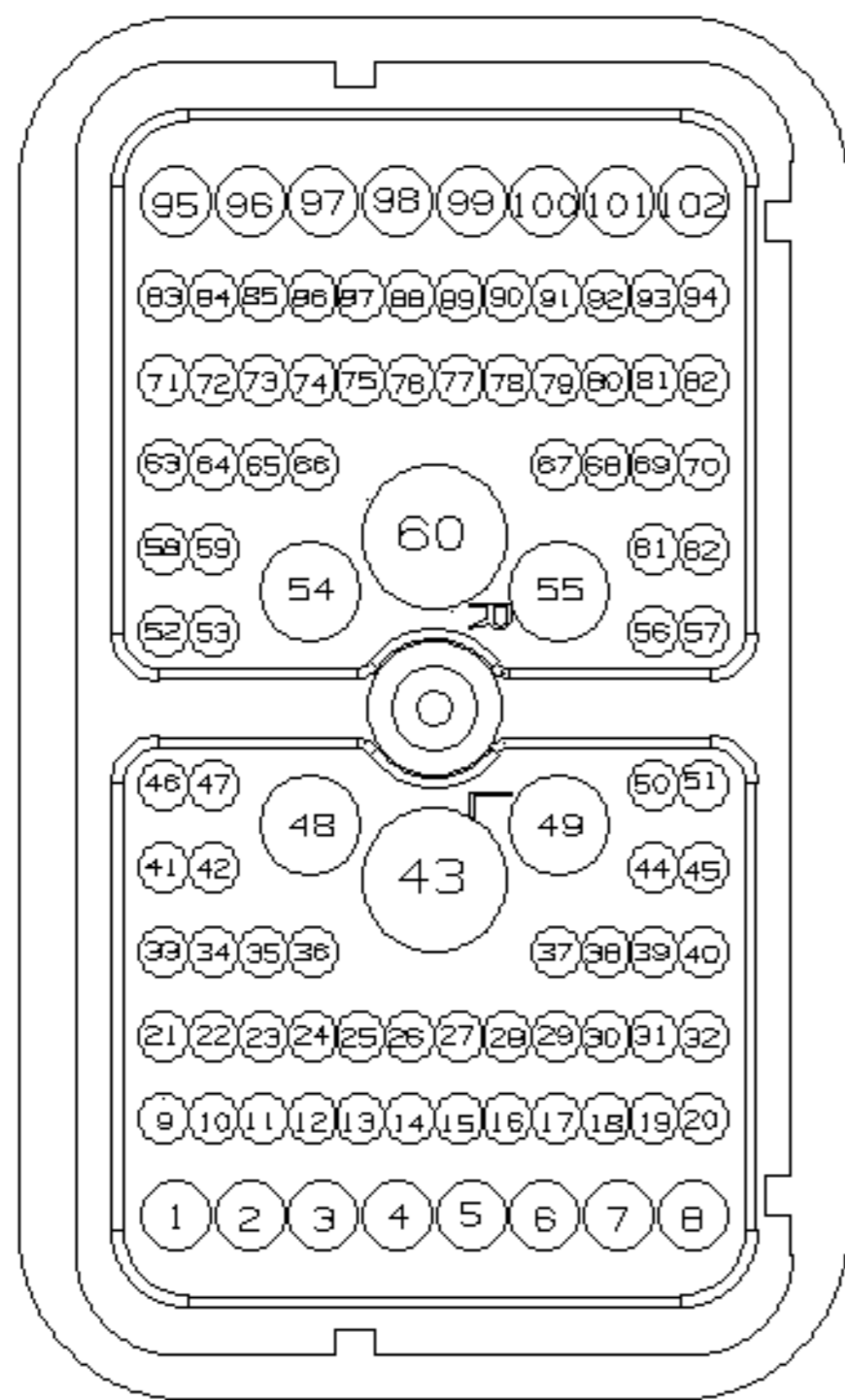
H
G
F
E
D
C
B
A



H
G
F
E
D
C
B
A

CONN ID
C000
PART NUMBER
DRB16-102SAE-L018
DEVICE
INLINE TO I/P HARN

CAV	CIR #	USAGE
1	E2785(T3)	(&ECS)
2	E2786(T3)	(&ECS)
4	E591	ALL
5	E1494B	ALL
6	E1494C	ALL
7	E2787(T3)	(&ECS)
8	E2788(T3)	(&ECS)
9	E2715	ALL
10	E419	ALL
11	E799	ALL
12	E867B	ALL
13	E2678	ALL
14	E2649	ALL
15	E2361C	ALL
16	E2363C	ALL
17	E2362C	ALL
18	E2779(T1)	(&ECS)
19	E2780(T1)	(&ECS)
20	E2781(T1)	(&ECS)
21	E1807	ALL
22	E121	ALL
23	E817	ALL
24	E534	ALL
25	E2013	ALL
26	E241C	ALL
27	E420A	ALL
28	E2782(T2)	(&ECS)
29	E2783(T2)	(&ECS)
30	E2784(T2)	(&ECS)
31	E1539	(&ECS)
35	E5	ALL
36	E1135	ALL
37	E41	ALL
38	E680A	ALL
39	E1594C	ALL
40	E2648	ALL
41	E4	ALL
42	E9	ALL
44	E1340	ALL
45	E1255	ALL
46	E24A	ALL
47	E275A	ALL
48	E142A	ALL
49	E242C	ALL
52	E636	ALL
53	E451H	ALL
54	E3A	ALL
55	E42	ALL
56	E416	ALL
57	E1688	ALL
58	E94A	ALL

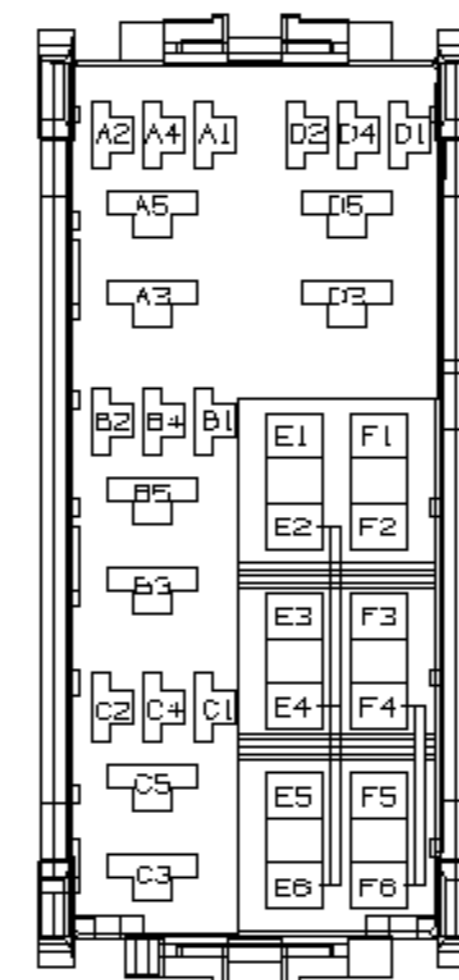


59	E91	ALL
61	E452	ALL
62	E1704	ALL
63	E92	ALL
64	E97	ALL
65	E485	ALL
66	E486	ALL
67	E139A	ALL
68	E839B	ALL
69	E1061	ALL
70	E774	ALL
71	E771C	(-ECS)
72	E772C	(-ECS)
73	E773C	(-ECS)
74	E776C	(-ECS)
75	E437	ALL
76	E740	ALL
77	E19	ALL
78	E18	ALL
79	E6105C(T13)	ALL
80	E6106C(T13)	ALL
81	E1740	(&ECS)
82	E1840	(&ECS)
85	E2309	ALL
86	E12	ALL
87	E14	ALL
88	E593	ALL
89	E15	ALL
90	E29	ALL
91	E11	ALL
93	E581	ALL
94	E582	ALL
96	E140	ALL
97	E742	ALL
98	E342B	ALL
99	E20A	ALL
100	E300A	ALL
102	E1390	ALL

CAV	CIR #	USAGE
A1	E150M	ALL
A3	E120	ALL
A4	E459	ALL
A6	E59A	ALL
A7	E447	ALL
A9	E242B	ALL
B1	E1039	ALL
B2	E490	ALL
B3	E465	ALL
B4	E441	ALL
B6	E739B	ALL
B7	E6	ALL
B9	E806	ALL
C1	E1450	ALL
C3	E867A	ALL
C4	E150A	ALL
C6	E1135	ALL
D2	E150P	ALL
D3	E739C	ALL
D4	E420B	ALL
D6	E275B	ALL
F1	E142B	ALL
F3	E2H	ALL
F5	E300B	ALL
F7	E26	ALL
F9	E1390	ALL
F11	E3C	ALL
G2	E740	ALL
G4	E742	ALL
G6	E441	ALL
G8	E1340	ALL
G10	E439	ALL
G12	E806	ALL
J2	E140	ALL
J6	E41	ALL
J8	E440A	ALL
J10	E1439A	ALL
J12	E739A	ALL
K3	E142E	(&ECS)
K5	E241A	ALL
L2	E1740	(&ECS)
L4	E1840	(&ECS)
L6	E1594B	ALL
L8	E1440A	ALL
L10	E839A	ALL
L12	E1039	ALL
M2	E242A	ALL
M3	E342A	ALL
M4	E142C	ALL
M5	E42	ALL
M6	E442	ALL
M8	E1142	ALL
S1	E26	ALL
S2	E2H	ALL

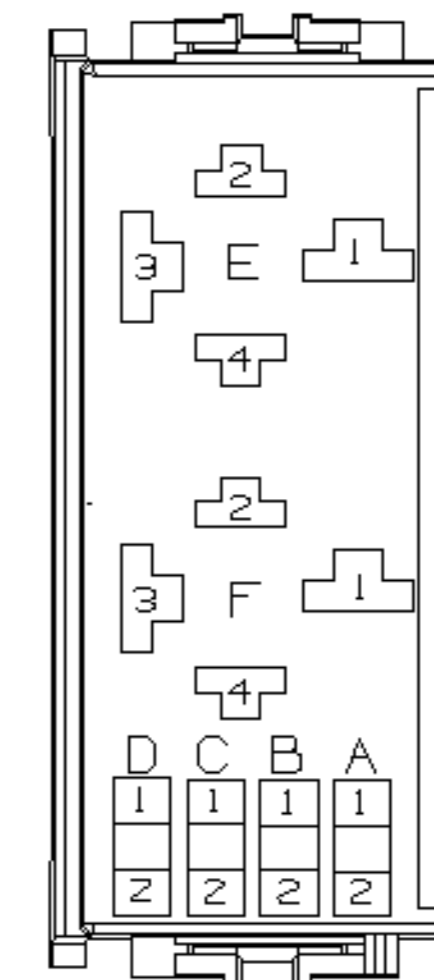
CONN ID
C601
PART NUMBER
12110594
DEVICE
POWER DIST
BLK MDL 1

CAV	CIR #	USAGE
A1	E150X	ALL
A2	E300C	ALL
A3	E342C	ALL
A5	E1594A	ALL
B1	E150W	ALL
B2	E3G	ALL
B3	E242D	ALL
B5	E591	ALL
C1	E139E	ALL
C2	E646	ALL
C3	E139F	ALL
C5	E24C	ALL
D1	E139C	ALL
D2	E1615	ALL
D3	E139B	ALL
D5	E275C	ALL
E1	E539A	ALL
E2	E3B	ALL
E3	E339A	ALL
E5	E239A	ALL
F1	E1539	(&ECS)
F2	E3F	ALL
F3	E809	ALL
F4	E9	ALL
F5	E609	ALL



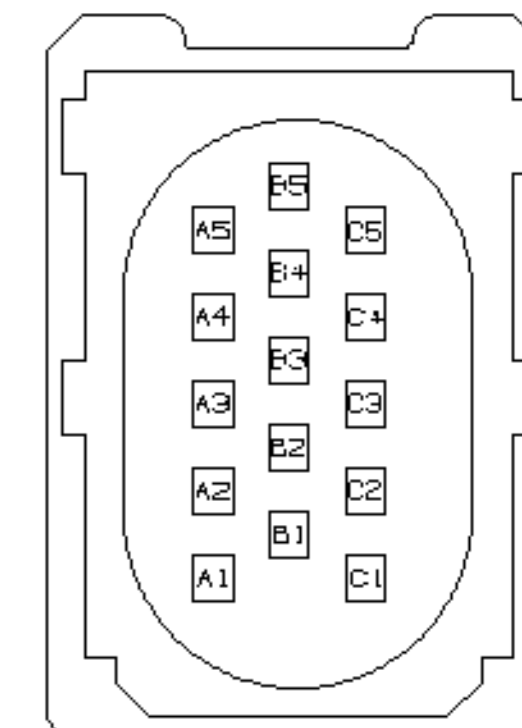
CONN ID
C602
PART NUMBER
15339011
DEVICE
POWER DIST
BLK MDL 2

CAV	CIR #
E1	E342E
E2	E150Y
E3	E1494A
E4	E4



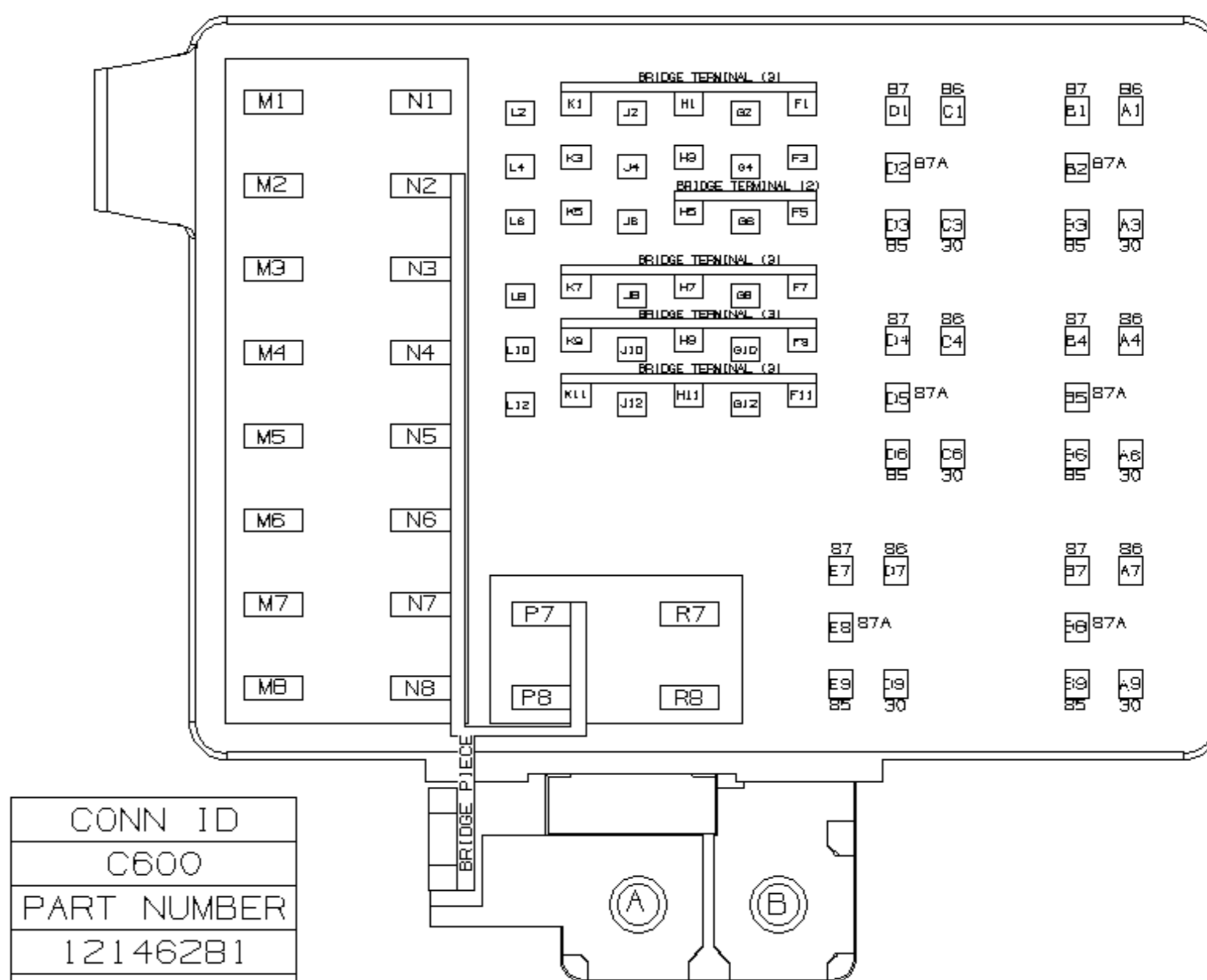
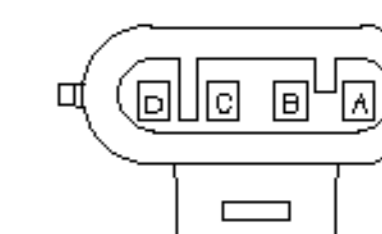
CONN ID
C006
PART NUMBER
12161186
DEVICE
INLINE TO
CHAS HARNESS

CAV	CIR #
A1	E882
A2	E1589
A3	E2759
A4	E18
A5	E809
B1	E20E
B2	E24B
B3	E1255
B4	E150N
B5	E120
C1	E883
C2	E884
C3	E885
C4	E19
C5	E609



CONN ID
C017
PART NUMBER
12186568
DEVICE
GEN

CAV	CIR #
B	E225
C	E23
D	E739E



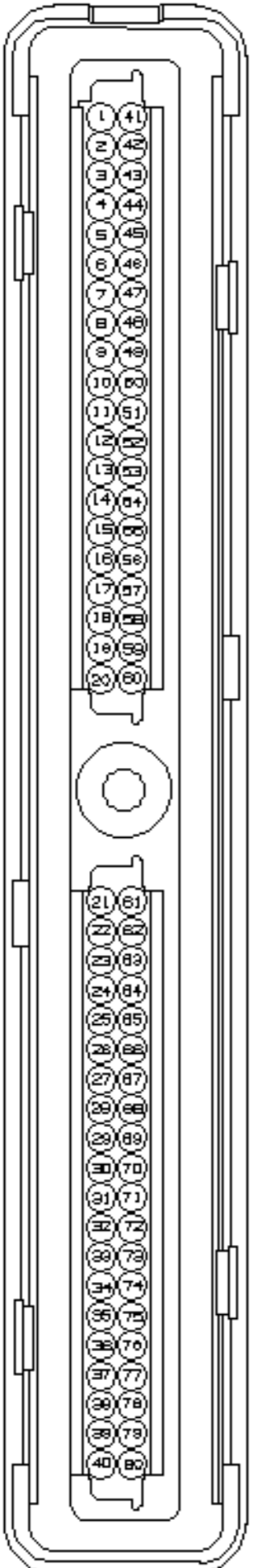
CONN ID
C600
PART NUMBER
12146281
DEVICE
POWER DIST
BLK MAIN

WORKHORSE CUSTOM CHASSIS

WORKHORSE CUSTOM CHASSIS

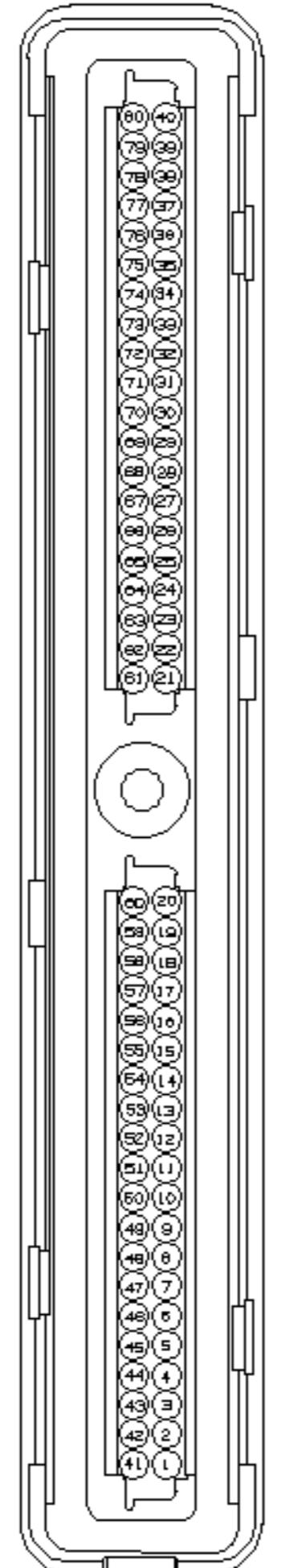
CONN ID
C029
DEVICE
MDL-POWERTRAIN CONTRL -J1
PART NUMBER
15492640

CAV	CIR #
1	E451A
2	E1867
3	E1746
4	E1745
7	E705
11	E1876
12	E1869
13	E463
14	E1061
15	E774
19	E1439B
20	E1440C
21	E1868
23	E2759
24	E451R
26	E1667
27	E451S
29	E1664
31	E534
33	E420F
34	E1786
36	E1744
37	E846
39	E447
40	E451B
43	E877
44	E844
48	E597
51	E496
54	E469
57	E1440B
58	E1807
59	E1049
61	E632
63	E2751
66	E1666
69	E1665
70	E1174
73	E633
74	E410
75	E1439C
76	E845
77	E878
80	E720



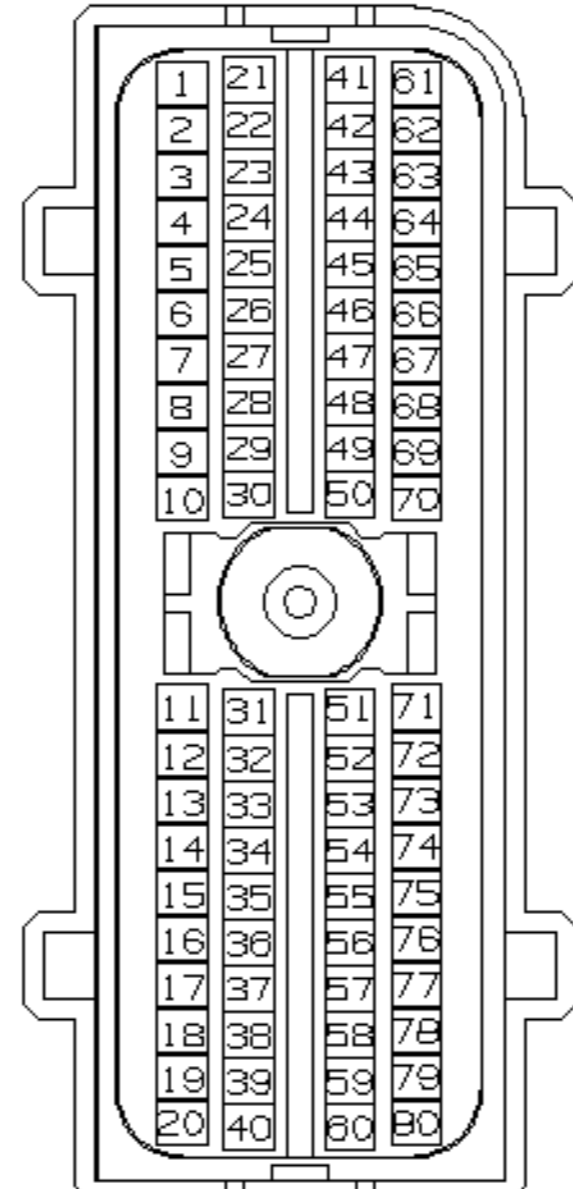
CONN ID
C030
DEVICE
MDL-POWERTRAIN CTRL -J2
PART NUMBER
15492640

CAV	CIR #
1	E451C
2	E2467
5	E464
9	E465
10	E121
15	E225
17	E762A
21	E400
25	E472
26	E2121
27	E2127
28	E2126
29	E2124
31	E492
32	E432
34	E428
39	E631
40	E451E
43	E459
44	E2013
46	E419
50	E817
54	E1589
55	E603
57	E552
58	E332
59	E5
60	E2129
61	E2130
66	E2128
67	E2122
68	E2125
69	E2123
72	E3113
74	E3212
75	E23



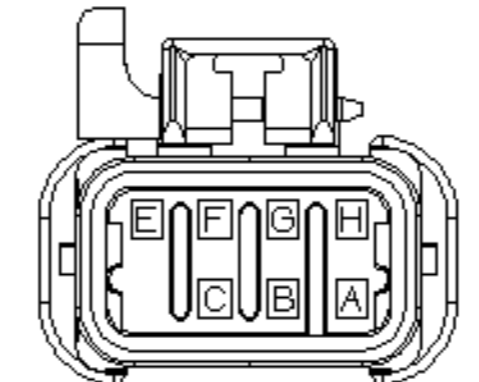
CAV	CIR #	USAGE
2	E2715	ALL
3	E2649	ALL
5	E463	ALL
6	E6105A	ALL
8	E2362B	ALL
9	E451K	ALL
10	E440C	ALL
11	E1228	ALL
14	E773	(&ECS)
14	E773B	(-ECS)
17	E1224	ALL
18	E400	ALL
20	E1983(T7)	ALL
21	E1905	ALL
22	E2467	ALL
23	E420E	ALL
25	E437	ALL
26	E6105B	ALL
27	E6106C(T13)	ALL
28	E2361B	ALL
33	E2879	ALL
34	E776	(&ECS)
34	E776B	(-ECS)
36	E2469	ALL
39	E1230(T5)	ALL
40	E821(T6)	ALL
42	E2678	ALL
44	E464	ALL
45	E1615	ALL
46	E1049	ALL
49	E2363B	ALL
51	E2527	ALL
52	E898	ALL
53	E772	(&ECS)
53	E772B	(-ECS)
54	E1227	ALL
55	E1229	ALL
57	E1226	ALL
58	E407	ALL
59	E1231(T5)	ALL
60	E822(T6)	ALL
61	E2648	ALL
63	E439	ALL
65	E646	ALL
67	E6107A	ALL
69	E451L	ALL
70	E440B	ALL
71	E323	ALL
73	E771	(&ECS)
73	E771B	(-ECS)
74	E1530	ALL
77	E2529	ALL
78	E1994	ALL
79	E1225	ALL
80	E1984(T7)	ALL

CONN ID
C031
PART NUMBER
R-61991-001
DEVICE
TCM



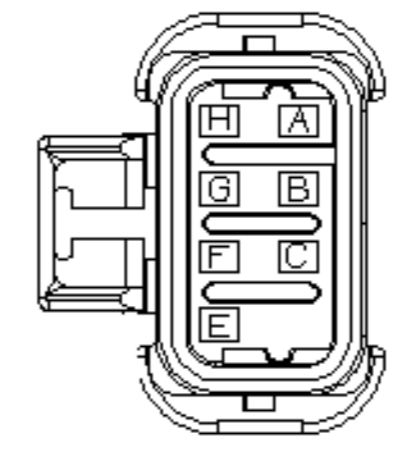
CONN ID
C056
PART NUMBER
12047938
DEVICE
INLINE TO
COIL HARN-LH

CAV	CIR #
A	E150L
B	E2127
C	E2125
E	E2129
F	E2123
G	E2121
H	E339B



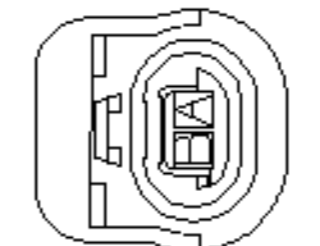
CONN ID
C057
PART NUMBER
12047938
DEVICE
INLINE TO
COIL HARN RH

CAV	CIR #
A	E150K
B	E2122
C	E2124
E	E2130
F	E2126
G	E2128
H	E239B



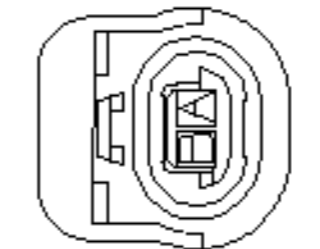
CONN ID
C058
PART NUMBER
15490464
DEVICE
PSENSOR-SPEED
TURBINE

CAV	CIR #
A	E1983(T7)
B	E1984(T7)



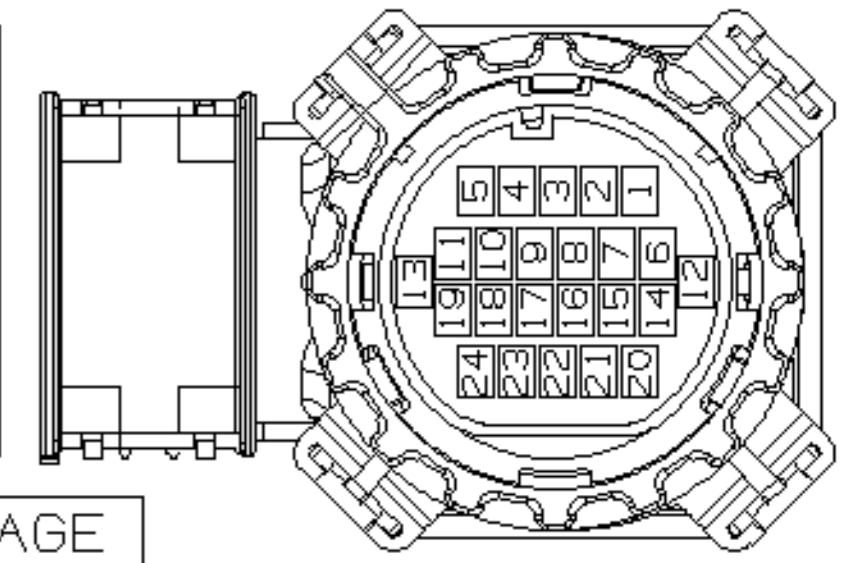
CONN ID
C062
PART NUMBER
15490464
DEVICE
SENSOR A/TRANS
OUTPUT SPEED

CAV	CIR #
A	E821(T6)
B	E822(T6)



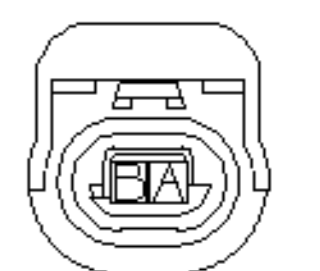
CONN ID
C059
PART NUMBER
R-62001-001
DEVICE
TRANSMISSION

CAV	CIR #	USAGE
1	E898	ALL
2	E2879	ALL
3	E2527	ALL
4	E1224	ALL
6	E1226	ALL
7	E1225	ALL
8	E1227	ALL
9	E407	ALL
10	E1994	ALL
11	E2529	ALL
14	E1228	ALL
15	E1229	ALL
16	E323	ALL
17	E2469	ALL
18	E1786	ALL
19	E1530	ALL
20	E773	(&ECS)
20	E773A	(-ECS)
21	E772	(&ECS)
21	E772A	(-ECS)
22	E771	(&ECS)
22	E771A	(-ECS)
23	E776	(&ECS)
23	E776A	(-ECS)



CONN ID
C061
PART NUMBER
15490464
DEVICE
SENSOR ENG
SPEED

CAV	CIR #
A	E1230(T5)
B	E1231(T5)



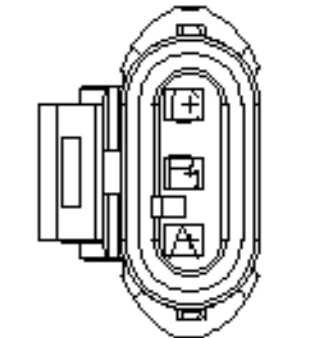
CONN ID
C066
PART NUMBER
15324165
DEVICE
SEN-CRANKSHAFT
POSN

CAV	CIR #
A	E1867
B	E1868
C	E1869



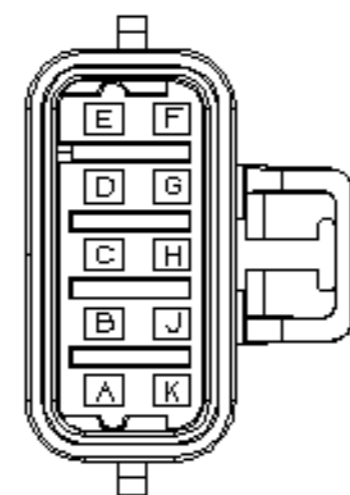
CONN ID
C067
PART NUMBER
12059595
DEVICE
SEN-CAMSHAFT POSN

CAV	CIR #
A	E631
B	E632
C	E633



CONN ID
C036
PART NUMBER
12065425
DEVICE
FUEL INJECTORS

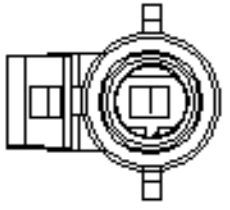
CAV	CIR #
A	E1744
B	E878
C	E844
D	E1746
E	E846
F	E845
G	E877
H	E1745
J	E339C
K	E239C



H
G
F
E
D
C
B
A

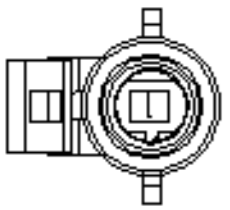
CONN ID	C070
PART NUMBER	15355362
DEVICE	SENS-LH KNOCK

CAV	CIR #
1	E496



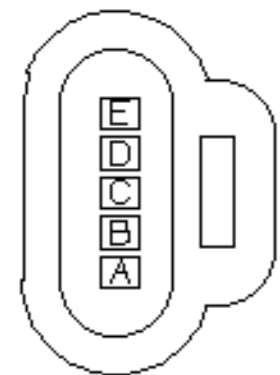
CONN ID	C071
PART NUMBER	15355362
DEVICE	SENS-RH KNOCK

CAV	CIR #
1	E1876



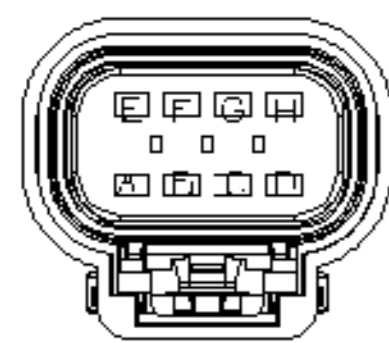
CONN ID	C073
PART NUMBER	15305555
DEVICE	AIR METER

CAV	CIR #
A	E552
B	E472
C	E451G
D	E839C
E	E492



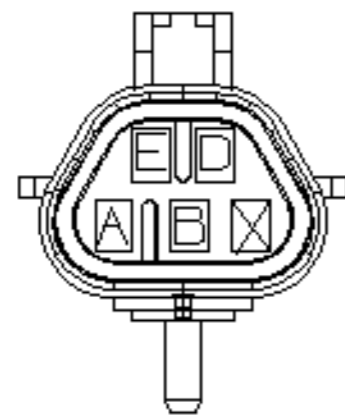
CONN ID	C075
PART NUMBER	15326835
DEVICE	THROTTLE ACTUATOR CONTROL VALVE

CAV	CIR #
A	E581
B	E1704
C	E582
D	E452
E	E1688
F	E486
G	E485
H	E416



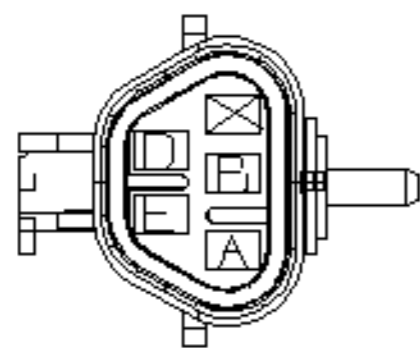
CONN ID	C076
PART NUMBER	12092839
DEVICE	SEN-HEATED OXY-RH

CAV	CIR #
A	E1667
B	E1666
D	E539E
E	E3212



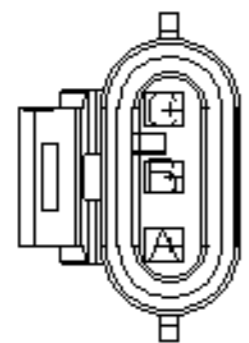
CONN ID	C077
PART NUMBER	12092839
DEVICE	SEN-HEATED OXY-LH

CAV	CIR #
A	E1664
B	E1665
D	E539B
E	E3113



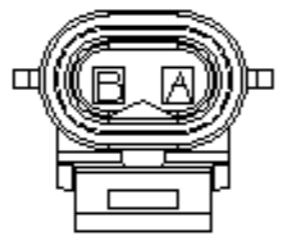
CONN ID	C080
PART NUMBER	12129946
DEVICE	SEN-MANIFOLD AIR PRESS

CAV	CIR #
A	E469
B	E432
C	E597



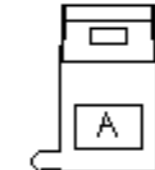
CONN ID	C083
PART NUMBER	12052643
DEVICE	SOL-EVAP EMISSION CANASTER PURGE VALVE

CAV	CIR #
A	E539C
B	E428



CONN ID	C085
PART NUMBER	12059884
DEVICE	INLINE TO FUEL PUMP PRIME

CAV	CIR #
A	E490



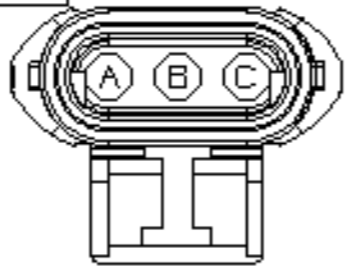
CONN ID	C103
PART NUMBER	15477863
DEVICE	ENG OIL PRES IND

CAV	CIR #
1	E2751
2	E705
3	E332



CONN ID	C105
PART NUMBER	12110293
DEVICE	ENG COOL TEMP SENSOR

CAV	CIR #
A	E720
B	E410



CONN ID	C110
PART NUMBER	12020227
DEVICE	INLINE TO A/C HANRESS

CAV	CIR #
A	E203



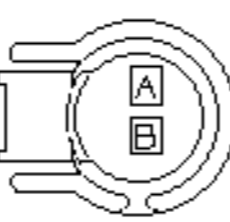
CONN ID	C115
PART NUMBER	12162438
DEVICE	A/C COMPRESSOR HIGH PRES CUTOUT

CAV	CIR #
A	E203
B	E762B



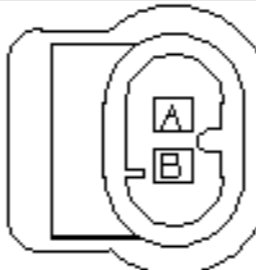
CONN ID	C118
PART NUMBER	12162440
DEVICE	A/C COMPR REFRIGERANT SW

CAV	CIR #
A	E603
B	E150C



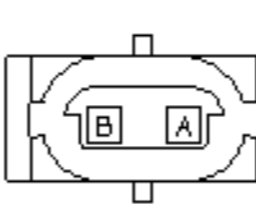
CONN ID	C120
PART NUMBER	15326801
DEVICE	OUTSIDE AIR TEMP

CAV	CIR #
A	E636
B	E451N



CONN ID	C121
PART NUMBER	12162017
DEVICE	A/C COMPRESSOR CLUTCH

CAV	CIR #
A	E59B
B	E150G



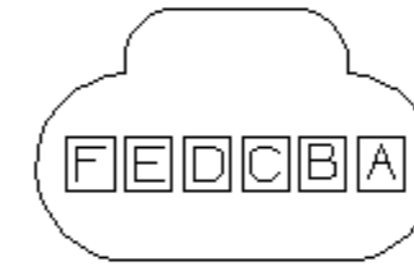
CONN ID	C180
PART NUMBER	12162193
DEVICE	ENG OIL LEVEL SENS

CAV	CIR #
A	E1174
B	E451F



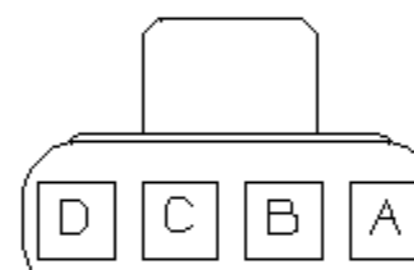
CONN ID	C148
PART NUMBER	15336013
DEVICE	POSITION SEN

CAV	CIR #	USAGE
A	E2779(T1)	(&ECS)
B	E2781(T1)	(&ECS)
C	E2780(T1)	(&ECS)
D	E2783(T2)	(&ECS)
E	E2784(T2)	(&ECS)
F	E2782(T2)	(&ECS)



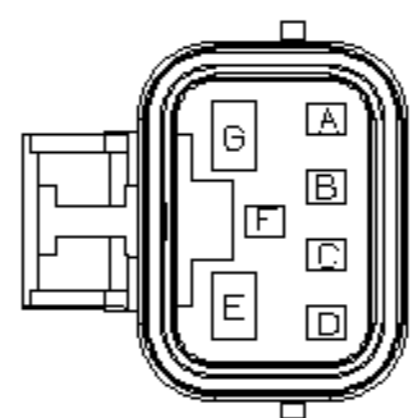
CONN ID	C149
PART NUMBER	12129565
DEVICE	ACTUATOR SBW

CAV	CIR #	USAGE
A	E2785(T3)	(&ECS)
B	E2786(T3)	(&ECS)
C	E2788(T3)	(&ECS)
D	E2787(T3)	(&ECS)



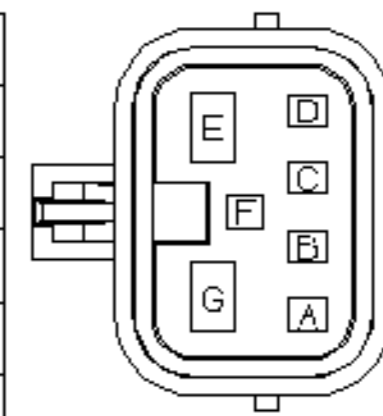
CONN ID	C202
PART NUMBER	12059472
DEVICE	INLINE TO FWD LP HARN

CAV	CIR #
A	E2309
B	E12
C	E14
D	E593
E	E29
F	E15
G	E11



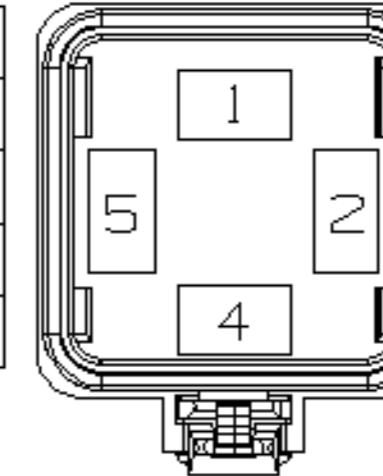
CONN ID	C207
PART NUMBER	12052200
DEVICE	INLINE - WINDSHIELD WIPER MOTOR

CAV	CIR #
A	E91
B	E92
C	E94B
D	E97
E	E150S
F	E150I
G	E94C



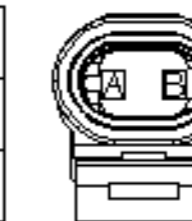
CONN ID	C715
PART NUMBER	12065686
DEVICE	POWER BRAKE BOOST PUMP RLY

CAV	CIR #
1	E1142
2	E20B
4	E1470
5	E1928



CONN ID	C717
PART NUMBER	12162197
DEVICE	POWER BRAKE BOOSTER FLUID FLOW SW

CAV	CIR #
A	E1928
B	E150U



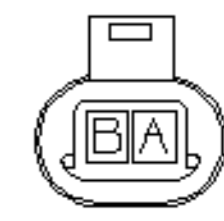
CONN ID	C718
PART NUMBER	15398879
DEVICE	BRAKE PRESSURE DIFFERENTIAL SW

CAV	CIR #
A	E680B



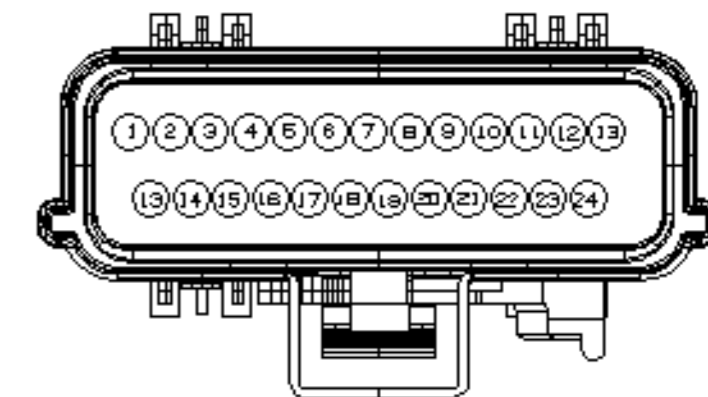
CONN ID	C720
PART NUMBER	15449028
DEVICE	BRAKE FLUID LEVEL SW

CAV	CIR #
A	E680C
B	E150V



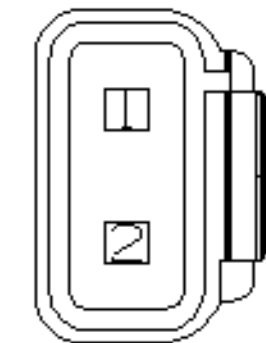
CONN ID	C721
PART NUMBER	12162898
DEVICE	ABS MODULE

CAV	CIR #
1	E867C
2	E1905
5	E799
7	E1450
8	E882
9	E884
10	E872
11	E830
14	E241B
15	E20C
20	E883
21	E885
22	E833
23	E873



CONN ID	C722
PART NUMBER	12162896
DEVICE	ABS POWER

CAV	CIR #
1	E442
2	E150D



H
G
F
E
D
C
B
A

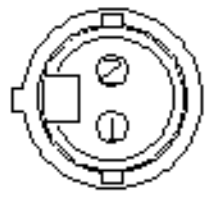
CONN ID
C723
PART NUMBER
449_711_000_0
DEVICE
INLINE TO
LEFT HAND
FRONT WHEEL
SENSOR

CAV	CIR #
1	E873
2	E830



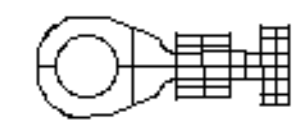
CONN ID
C724
PART NUMBER
449_711_000_0
DEVICE
INLINE TO
RIGHT HAND FRONT
WHEEL SENSOR

CAV	CIR #
1	E833
2	E872



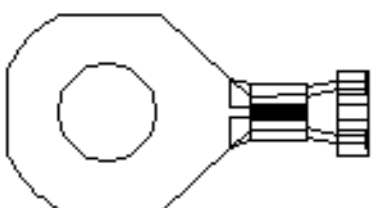
CONN ID
TERM2
PART NUMBER
12103517
DEVICE
SOL

CAV	CIR #
A	E6



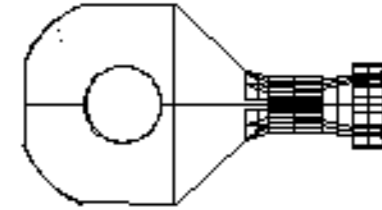
CONN ID
TERM7
PART NUMBER
12103502
DEVICE
BAT

CAV	CIR #
A	E2F



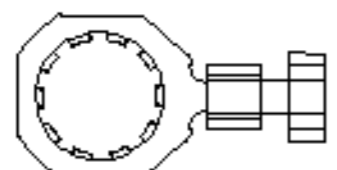
CONN ID
TERM8
PART NUMBER
12103965
DEVICE
STUD

CAV	CIR #
A	E2A



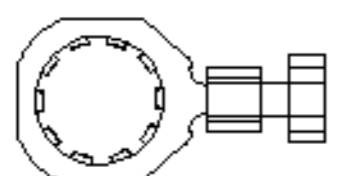
CONN ID
TERM11
PART NUMBER
15358665
DEVICE
GROUND

CAV	CIR #
A	E150K
A	E150L



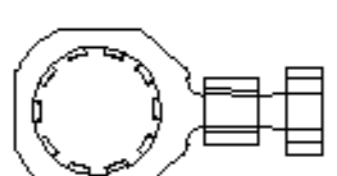
CONN ID
TERM13
PART NUMBER
15358665
DEVICE
GROUND

CAV	CIR #
A	E451J



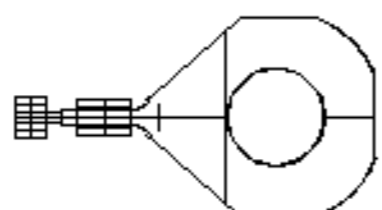
CONN ID
TERM14
PART NUMBER
15358665
DEVICE
GROUND

CAV	CIR #
A	E150R



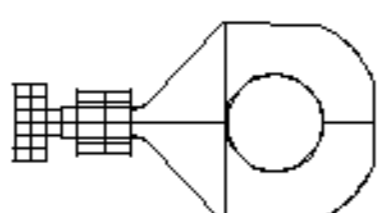
CONN ID
TERM15
PART NUMBER
12103508
DEVICE
GROUND

CAV	CIR #
A	E150F



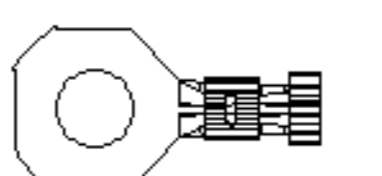
CONN ID
TERM16
PART NUMBER
12103504
DEVICE
GROUND

CAV	CIR #
A	E150D



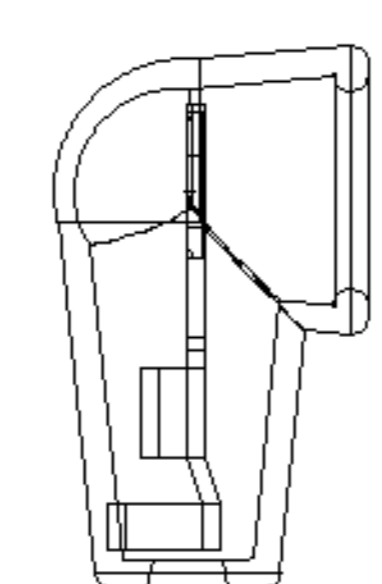
CONN ID
TERM32
PART NUMBER
12103512
DEVICE
C716

CAV	CIR #
A	E1470

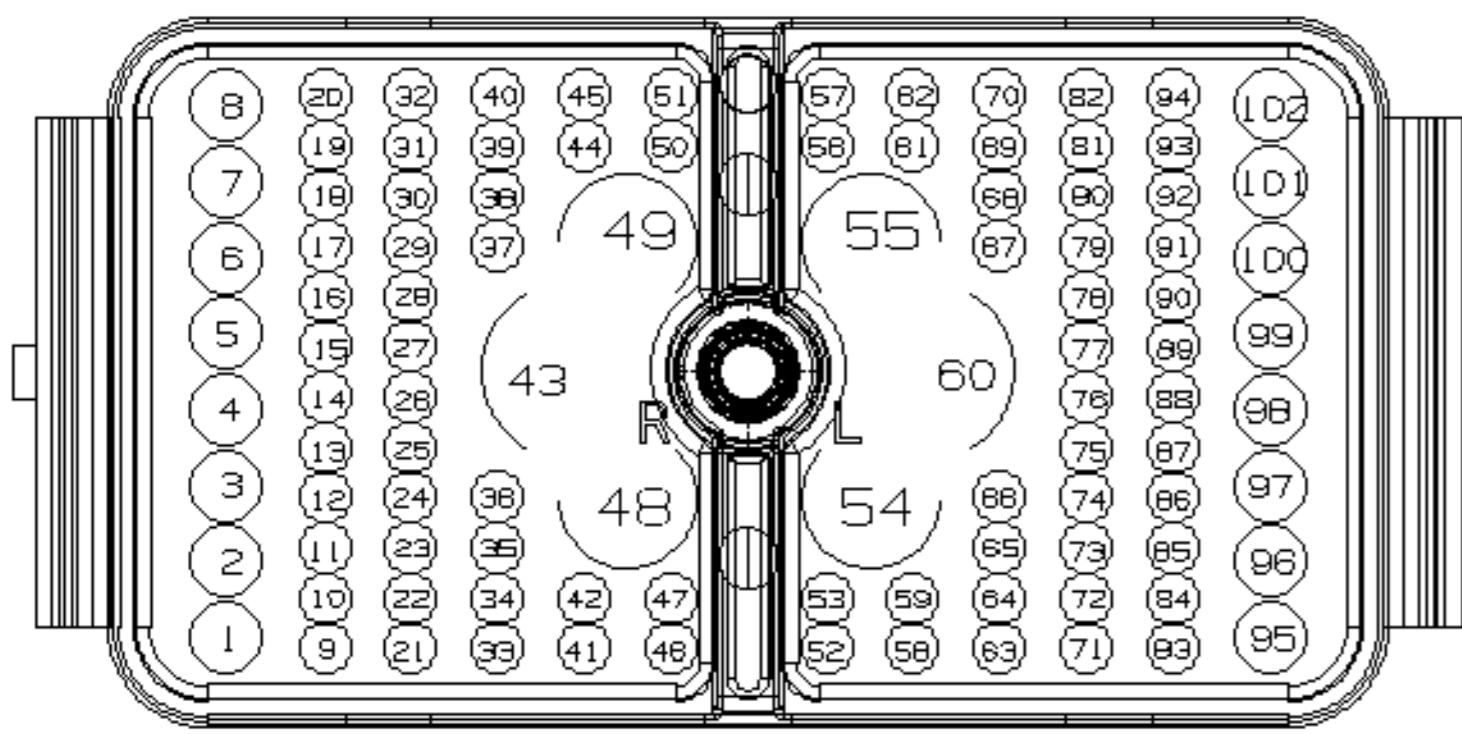


CONN ID
ALT 1
PART NUMBER
12146366

CAV	CIR #
A	E2C



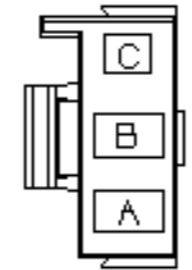
11 10 9 8 7 6 5 4 3 2 1



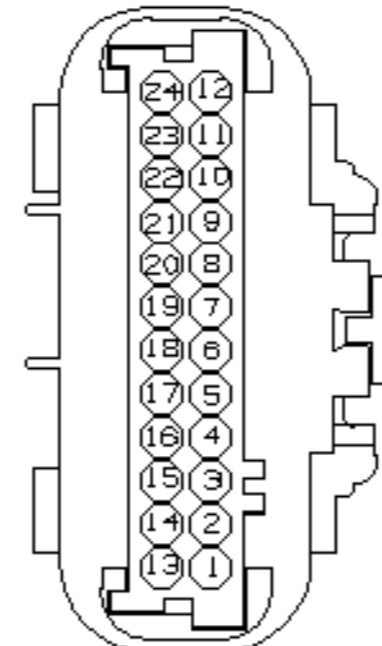
CONN ID	C200
PART NUMBER	DRB12-102PANE
DEVICE	INLINE TO ENG HARN

CONN ID	C043
PART NUMBER	I2033699
DEVICE	SW-STOP LAMP

CAV	CIR #
A	I17C
B	I140
C	I20

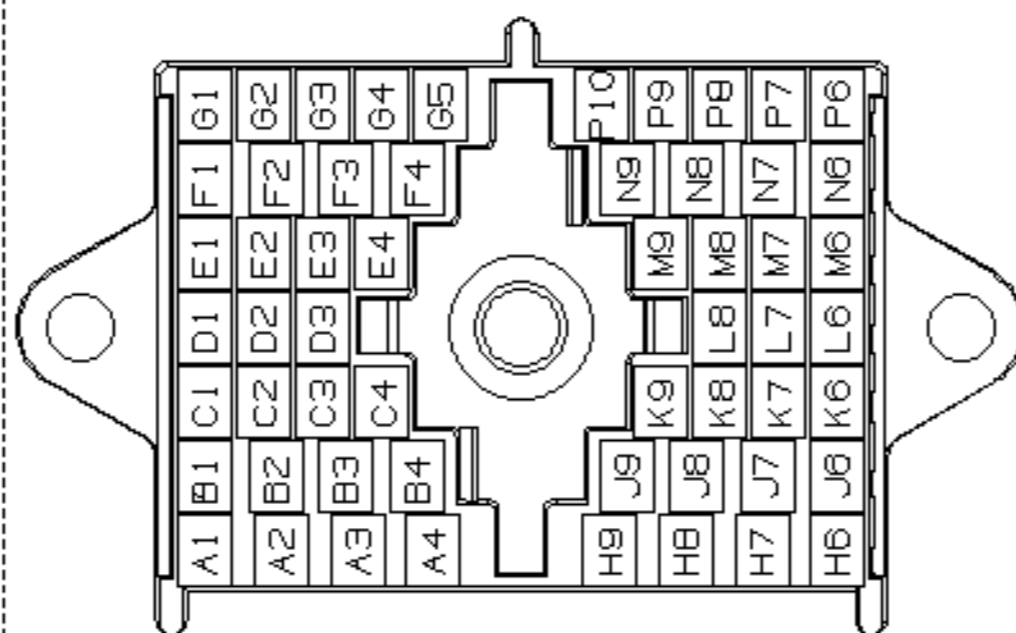


CONN ID	C055
PART NUMBER	I2129225
DEVICE	PUSH BUTTON
	SHFT SEL-A



CAV	CIR #	USAGE
1	I2362H	(&ECS)
2	I2361H	(&ECS)
3	I2363H	(&ECS)
4	I2678B	(&ECS)
5	I8	(&ECS)
6	I2783(T2)	(&ECS)
7	I2781(T1)	(&ECS)
8	I2784(T2)	(&ECS)
14	I2648B	(&ECS)
17	I1539	(&ECS)
18	I2780(T1)	(&ECS)
19	I2779(T1)	(&ECS)
20	I2782(T2)	(&ECS)
24	I2789	(&ECS)

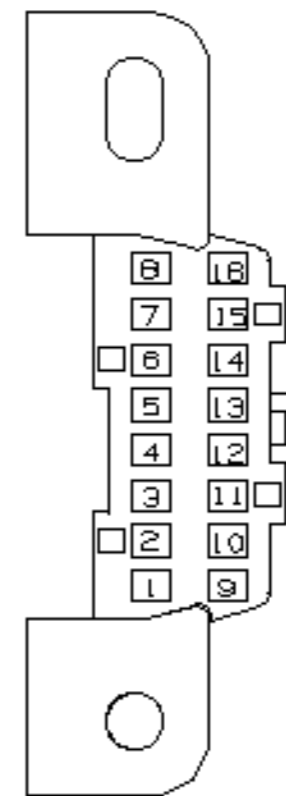
CONN ID	C210
PART NUMBER	I5394027
DEVICE	INLINE TO
	I/P EXTN



CAV	CIR #	OPTION
A1	I591	ALL
A2	I142	ALL
A3	I28	ALL
B1	I742	ALL
B2	I150A	ALL
B3	I14C	ALL
B4	I15C	ALL
C2	I2309	ALL
C3	I534	ALL
C4	I16	ALL
D2	I867	ALL
D3	I2649	ALL
E1	I275	ALL
E2	I2648A	(-ECS)
E3	I2678A	(-ECS)
E4	I680	ALL
F1	I10	ALL
F2	I27	ALL
F3	I1390C	ALL
F4	I1807C	ALL
G1	I593	ALL
G2	I24	ALL
G3	I29	ALL
G4	I773	(-ECS)
G5	I776	(-ECS)
H6	I42	ALL
H7	I1494A	ALL
H8	I1594	ALL
H9	I771	(-ECS)
J6	I143A	ALL
J7	I740	ALL
J8	I2715	ALL
J9	I17B	ALL
K6	I2013	ALL
K7	I2361B	ALL
K8	I2362B	ALL
K9	I11C	ALL
L6	I121	ALL
L7	I2363B	ALL
L8	I772	(-ECS)
M6	I139	ALL
M7	I8	(&ECS)
M8	I419	ALL
M9	I437	ALL
N6	I80	ALL
N7	I636	ALL
N8	I451C	ALL
N9	I817	ALL
P10	I1134	ALL
P8	I1255	ALL
P9	I9	ALL

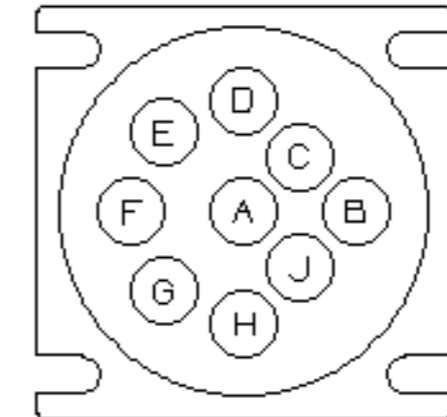
CONN ID	C208
PART NUMBER	I2110250
DEVICE	DATA LINK

CAV	CIR #
2	I1807B
4	I150E
5	I6107A
6	I6105A
12	I799
14	I6106A
16	I1340B



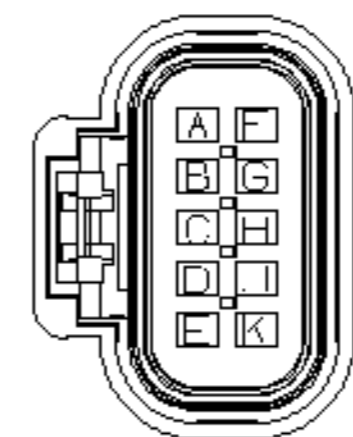
CONN ID	C209
PART NUMBER	HD10-9-1939P
DEVICE	DATA LINK CONN

CAV	CIR #
A	I150H
B	I1340C
C	I2361E
D	I2362E
E	I2363E



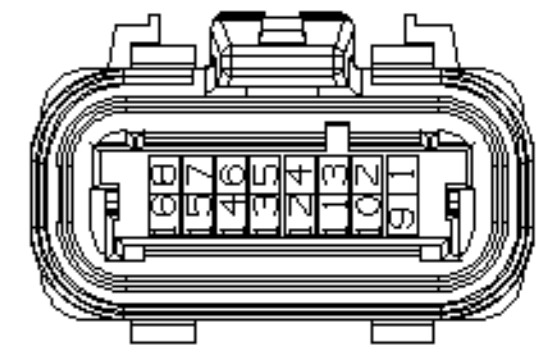
CONN ID	C212
PART NUMBER	I5326842
DEVICE	THROTTLE POSN SENS

CAV	CIR #
D	I1164
E	I1161
G	I1274
H	I1162
J	I1272
K	I1271

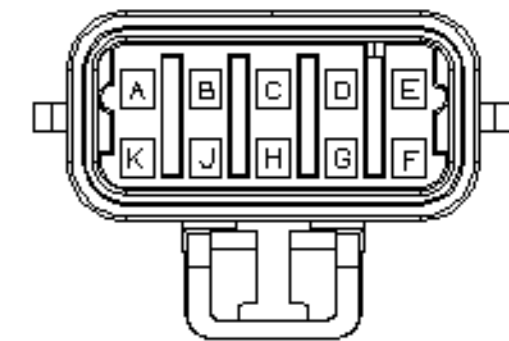


CONN ID	C216
PART NUMBER	I2191065
DEVICE	MDL-ELECT THROT
	ACTUATOR CNTRL

CAV	CIR #
1	I485
2	I416
3	I452
4	I84
5	I87
6	I17A
7	I839
8	I582
9	I1688
10	I1704
11	I486
12	I1061
13	I774
14	I397
15	I451A
16	I581

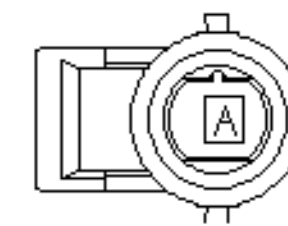


CONN ID	C217
PART NUMBER	I2065425
DEVICE	MDL-ELECTRONIC
	THROTTLE CTRL



CAV	CIR #
B	I1274
C	I1162
D	I1272
F	I1161
G	I1164
J	I1271

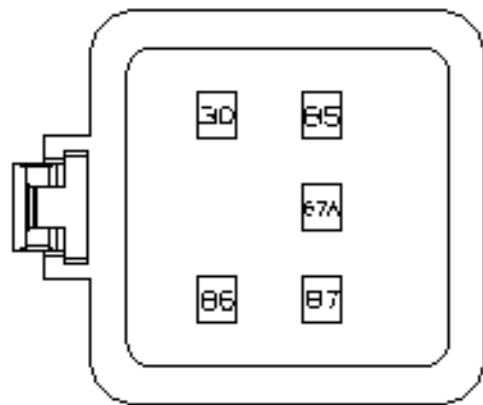
CONN ID	C218
PART NUMBER	I2065171
DEVICE	INLINE FOR SEPARATE
	STOP IND LP



CAV	CIR #
A	I17F

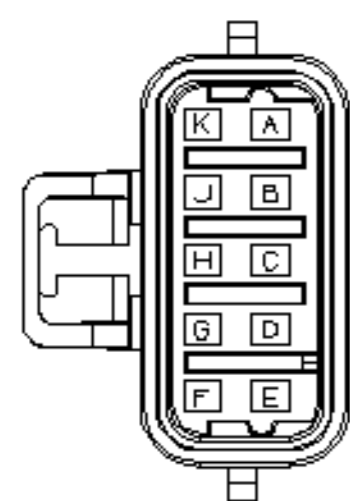
CONN ID
C228
PART NUMBER
12110539
DEVICE
BTSI ECS RELAY

CAV	CIR #	USAGE
30	I150N	(&ECS)
85	I150P	(&ECS)
86	I1135B	(&ECS)
87	I2789	(&ECS)



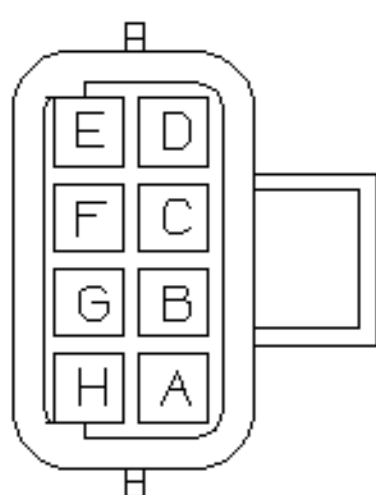
CONN ID
C234
PART NUMBER
12065425
DEVICE
INLINE - WINDSHIELD
WASHER SWITCH

CAV	CIR #
E	I112
F	I143C
G	I91
H	I97
J	I94
K	I150F



CONN ID
C269
PART NUMBER
12176335
DEVICE
PUSH BUTTON SHFT SEL-B

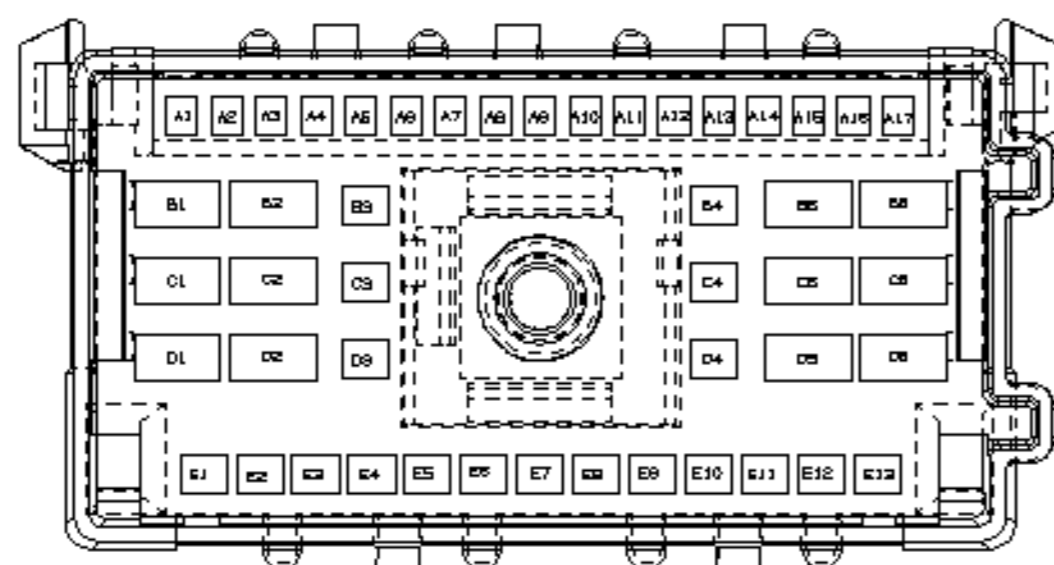
CAV	CIR #	USAGE
A	I1740	(&ECS)
B	I2785(T3)	(&ECS)
C	I2786(T3)	(&ECS)
D	I451H	(&ECS)
E	I451J	(&ECS)
F	I2788(T3)	(&ECS)
G	I2787(T3)	(&ECS)
H	I1840	(&ECS)



CONN ID
C711
PART NUMBER
12077822
DEVICE
INLINE-TO
STEERING COLMN HARN

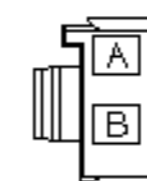
CAV	CIR #	USAGE
A2	I2646A	ALL
A3	I116	ALL
A6	I15A	ALL
A7	I14A	ALL
A11	I28	ALL
A12	I397	ALL
A13	I41	ALL
A14	I84	ALL
A15	I87	ALL
A16	I150G (-ECS)	
A17	I1135A (-ECS)	

B2	I150J	ALL
B3	I80	ALL
B4	I150M	ALL
B5	I1134	ALL
C1	I1390A	ALL
C2	I150C	ALL
C5	I3	ALL
C6	I300	ALL
D1	I5	ALL
D2	I342	ALL
D5	I242	ALL
D6	I4	ALL
E1	I27	ALL
E2	I17F	ALL
E3	I92	ALL
E4	I143B	ALL
E5	I112	ALL
E6	I19	ALL
E7	I18	ALL
E8	I2646B	ALL
E9	I2646C	ALL
E11	I11A	ALL
E12	I12	ALL
E13	I10	ALL



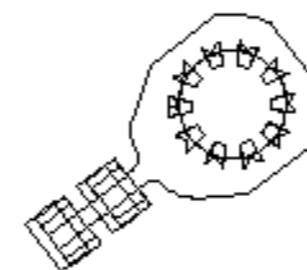
CONN ID
C714
PART NUMBER
12015197
DEVICE
STOP LP / TCC SW

CAV	CIR #
A	I241
B	I420



CONN ID
TERM12
PART NUMBER
02984789
DEVICE
GROUND

CIR #
I150B



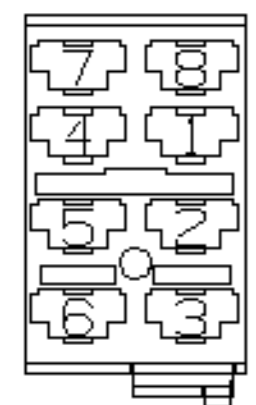
WORKHORSE CUSTOM CHASSIS

H
G
F
E
D
C
B
A

H
G
F
E
D
C
B
A

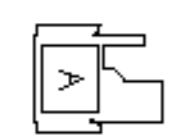
C063

ITEM NO: 40	
10723740 GRA LT	
THROT ADJ MOTOR	
CAV	WIRE
1	561A
2	560A



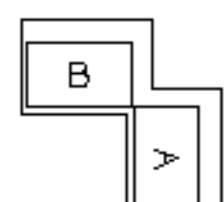
C065

ITEM NO: 41	
15394448 BLK	
SW PEDAL ADJUST	
CAV	WIRE
1	560B
2	1239
3	561B
4	561C
5	150N
6	560C
7	150L
8	8H



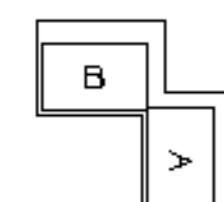
C084

ITEM NO: 18	
12033713 NAT	
SEAT BELT BYPASS	
CAV	WIRE
A	150K



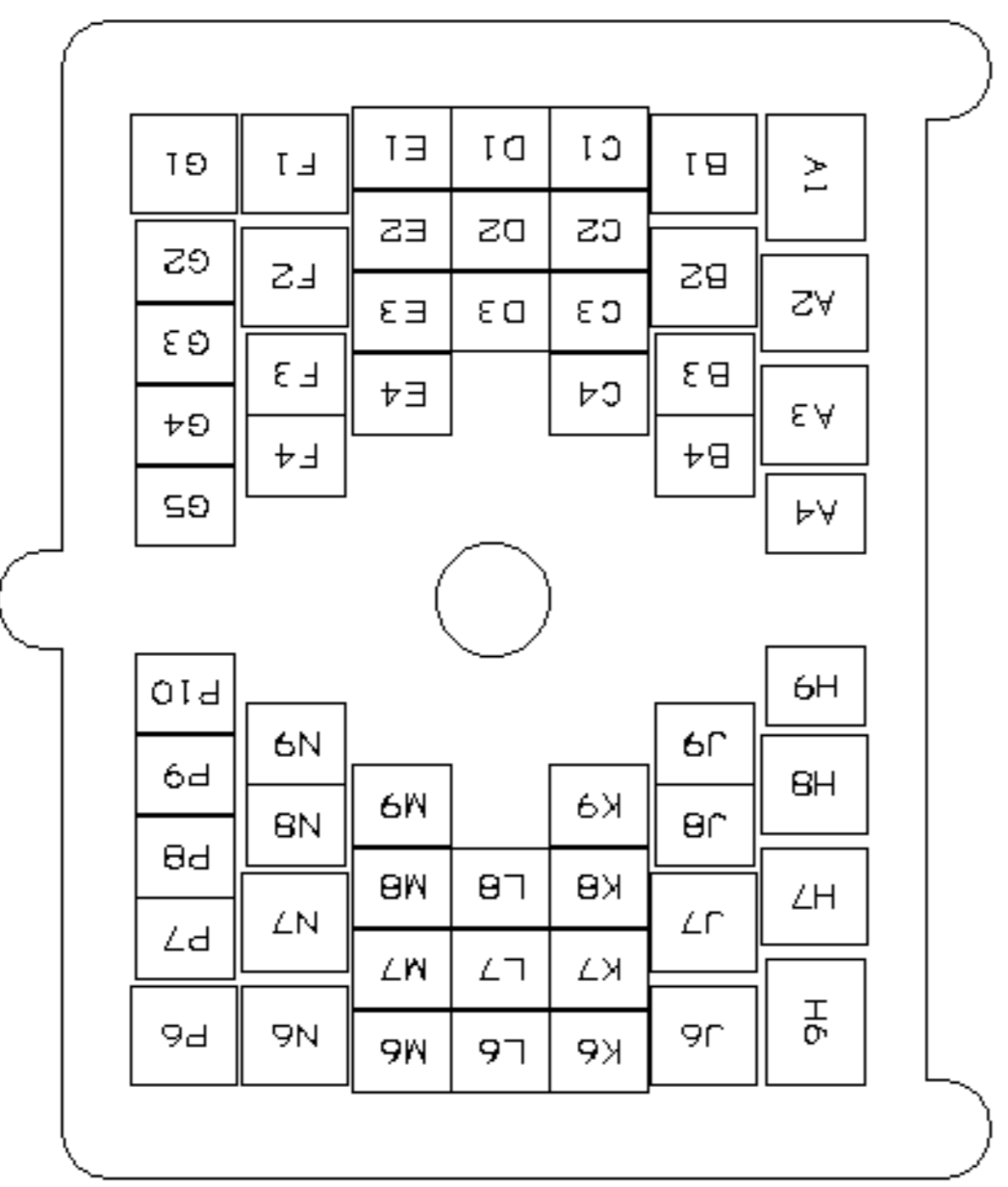
C215

ITEM NO: 14	
02973385 BLK	
FLSHR-T/SIG LP	
CAV	WIRE
A	139C
B	16



C248

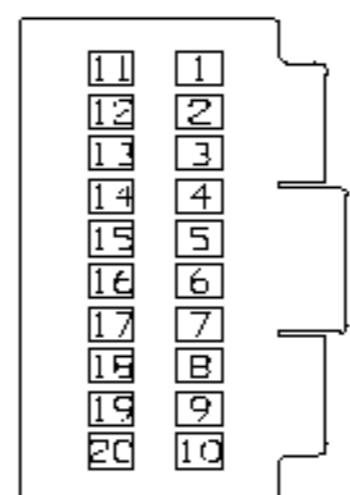
ITEM NO: 5	
02973385 BLK	
FLSHR-HAZARD LP	
CAV	WIRE
A	740
B	27



C250

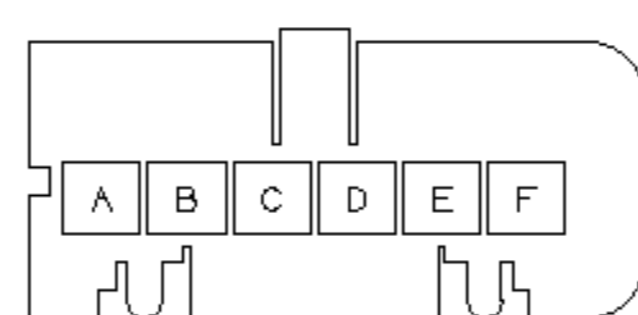
ITEM NO: 10	
12186731 GRA MD	
INLINE-TO I/P HARN	
CAV	WIRE
A1	591
A2	142C
A3	28
A4	
B1	742
B2	150A
B3	14
B4	15
C1	
C2	2309
C3	534
C4	16
D1	
D2	867A
D3	2649A
E1	275
E2	264B
E3	2678B
E4	680
F1	10A
F2	27
F3	1390
F4	1807
G1	593
G2	24
G3	29C
G4	
G5	
H6	42A
H7	1494A
H8	1594
H9	
J6	143
J7	740
J8	2715A
J9	17
K6	2013
K7	2361A(T4)
KB	2362A(T4)
K9	11
L6	121
L7	2363A(T4)
LB	
M6	139A
M7	8C
MB	419
M9	437
N6	80
N7	636
NB	451
N9	817
P6	
P7	
P8	1255A
P9	9B
P10	1134A

SEE DETAIL "AA"



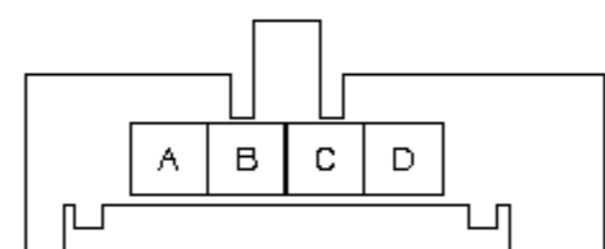
C251

ITEM NO: 1	
10723742 BLK	
CSTR-INST -1	
CAV	WIRE
1	
2	2361B
3	2362B
4	1807
5	121
6	817
7	745
8	2678C
9	
10	
11	419
12	80
13	2715B
14	2013
15	
16	
17	592C
18	
19	150M
20	340



C252

ITEM NO: 16	
12020029 NAT	
SW-HDLP	
CAV	WIRE
A	9E
B	540
C	42C
D	10A/10B
E	240
F	

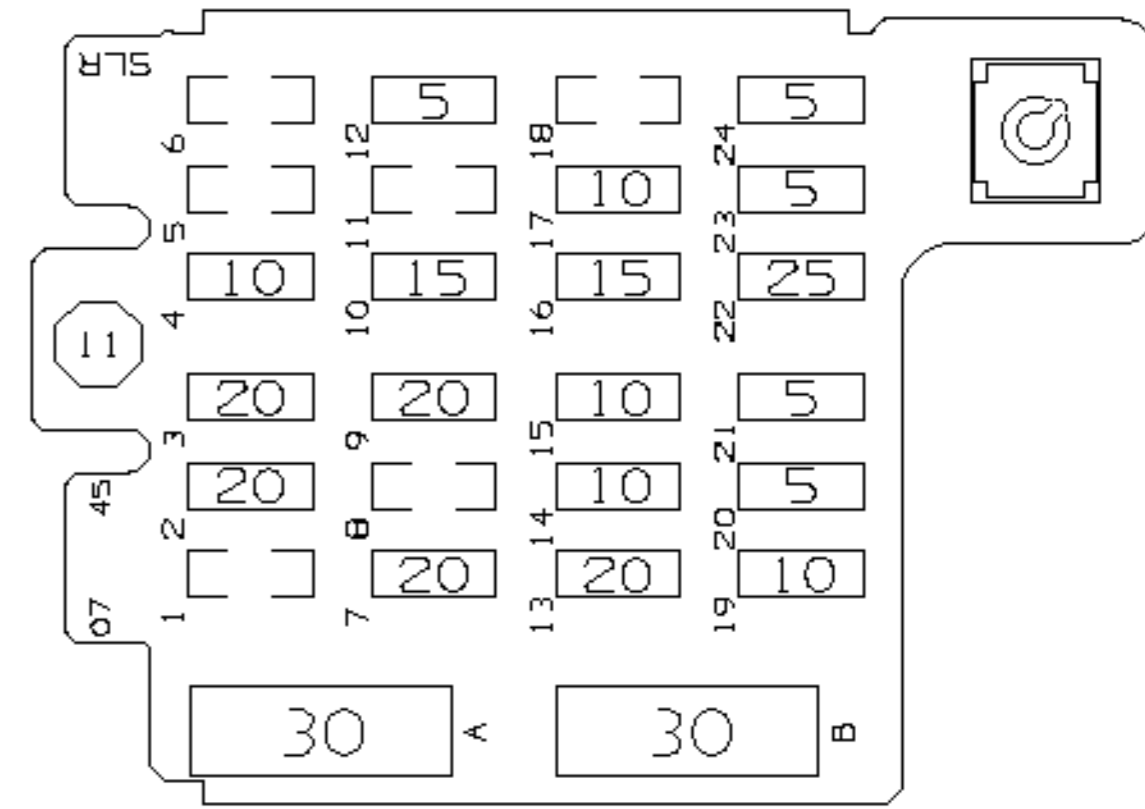
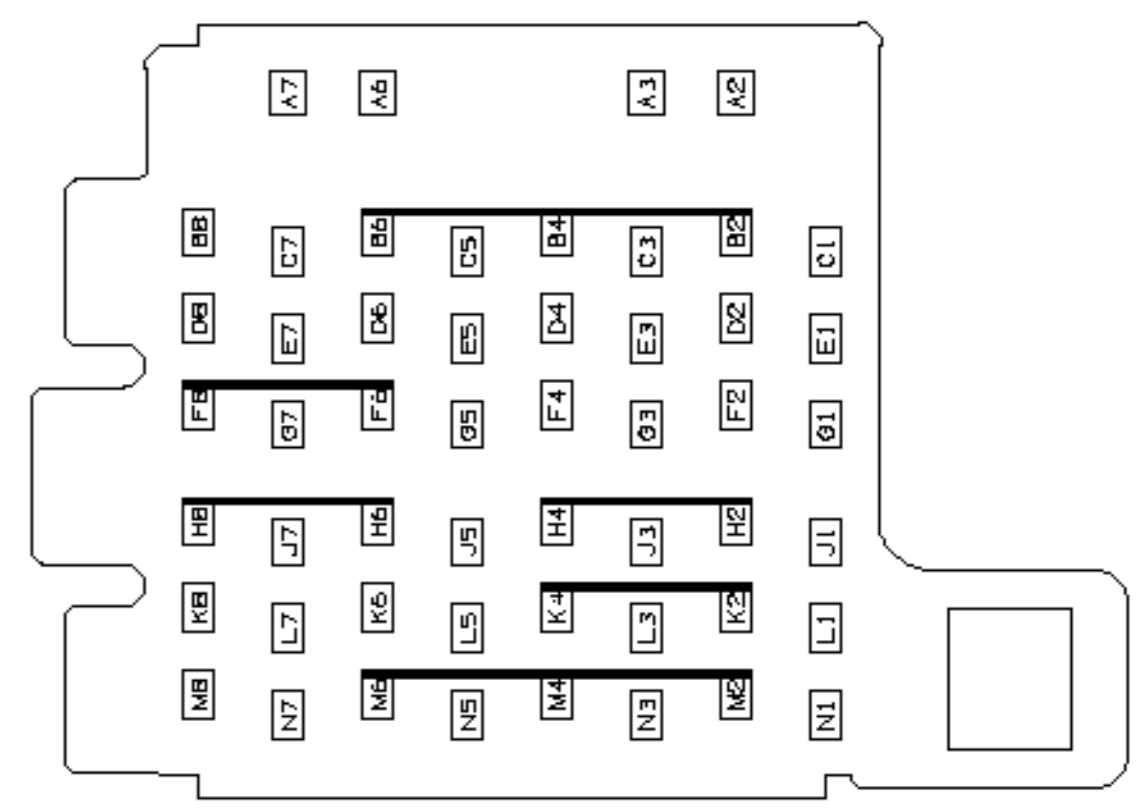


C253

ITEM NO: 7	
12020030 NAT	
SW-I/P LP DIMR	
CAV	WIRE
A	9A
B	150B
C	156
D	44

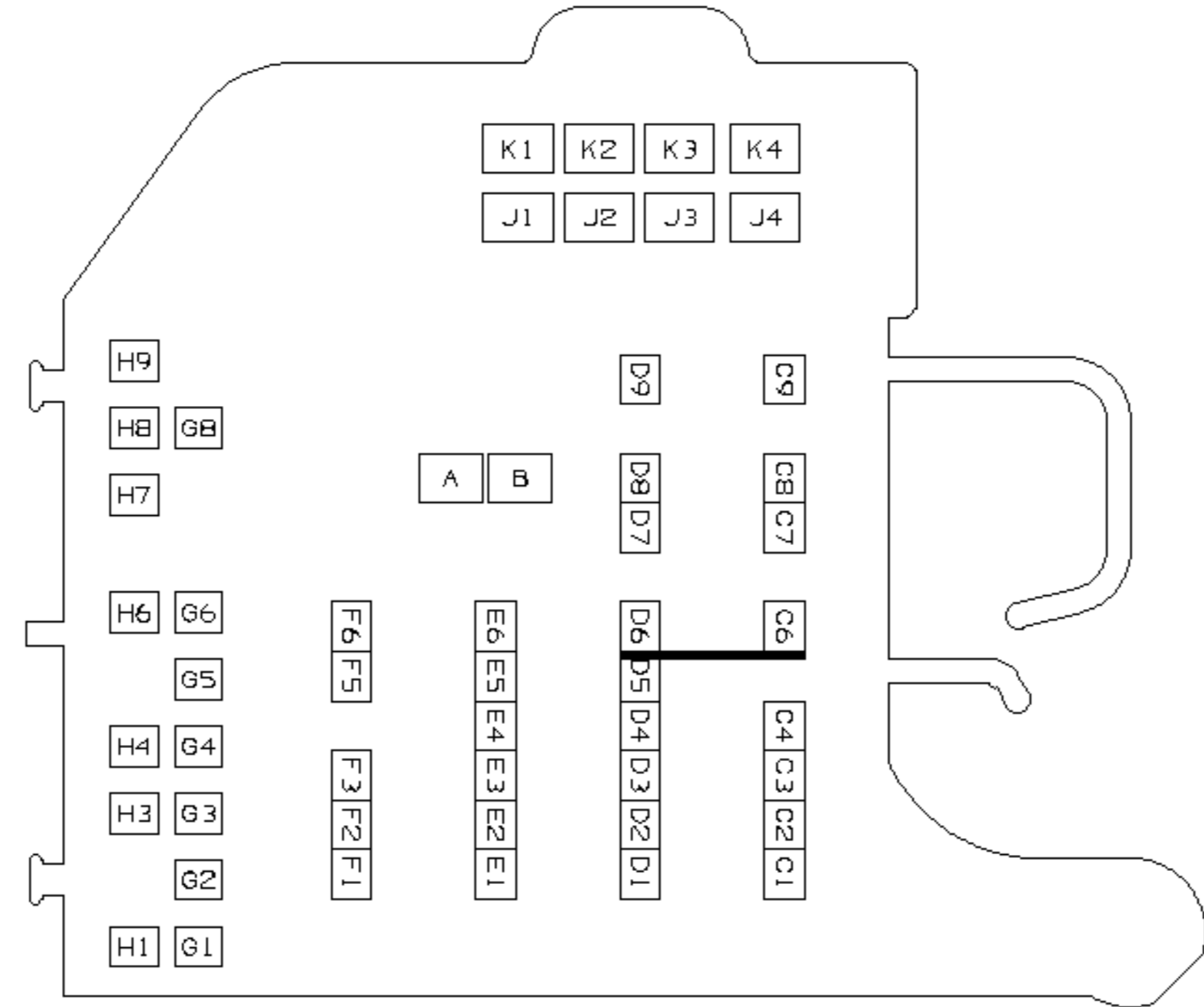
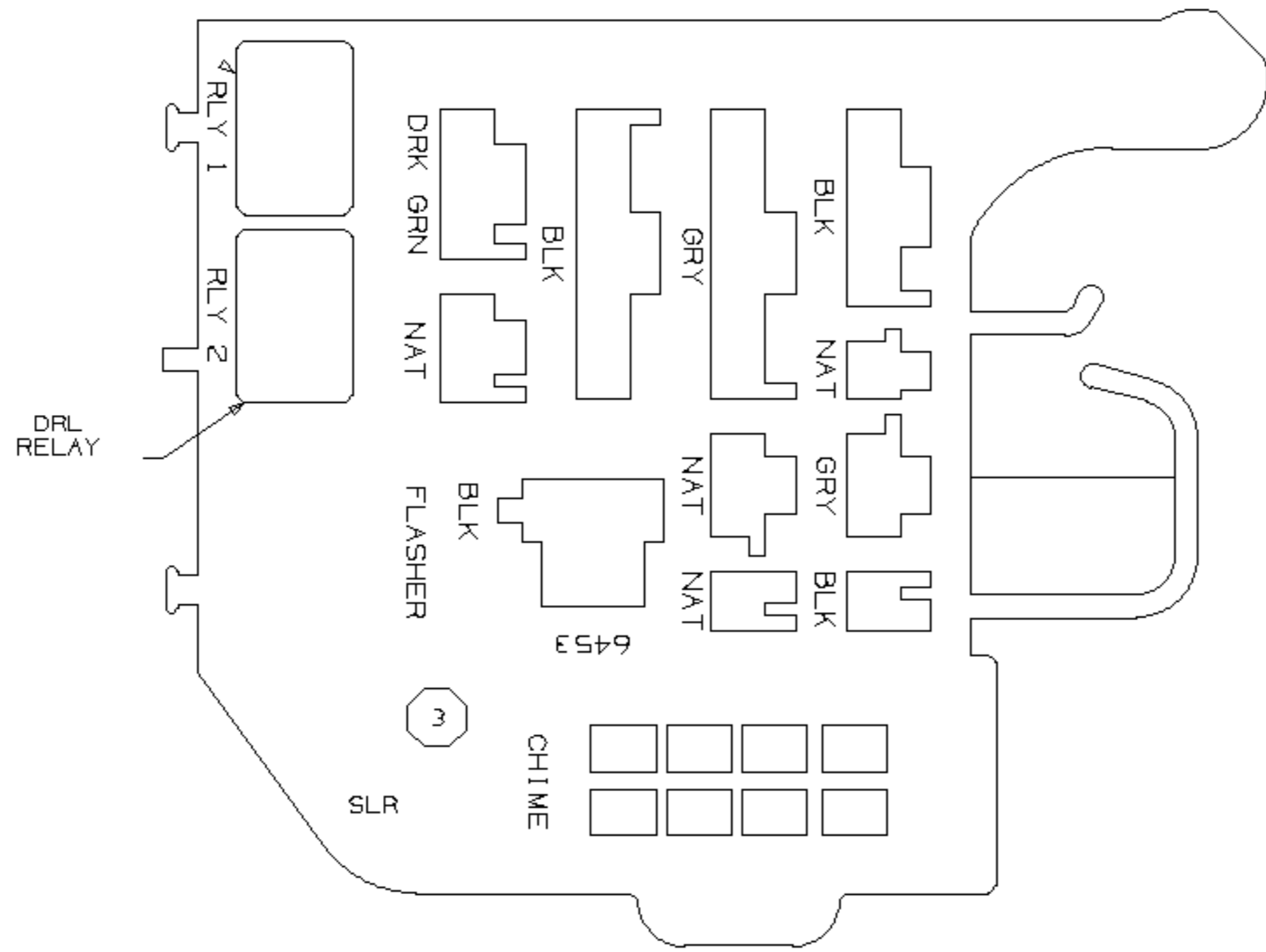
C254

ITEM NO: 11	
12110746 BLK	
FUSE BLK	
CAV	WIRE
A2	1494C
A3	243
A6	142B
A7	1540
B2	142A
B4	
B6	
B8	
C1	1240
C3	1140
C5	1040
C7	
D2	
D4	44
D6	
D8	42D
E1	
E3	8A
E5	
E7	640A
F2	142E
F4	1390
F6	42B
FB	
G1	340
G3	39A
G5	240
G7	40
H2	1494B
H4	
H6	591
H8	
J1	143
J3	43
J5	139B
J7	1239
K2	9C
K4	
K6	
K8	
L1	2309
L3	1255C
L5	
L7	
M2	1594
M4	
M6	
MB	
N1	341
N3	
N5	141
N7	



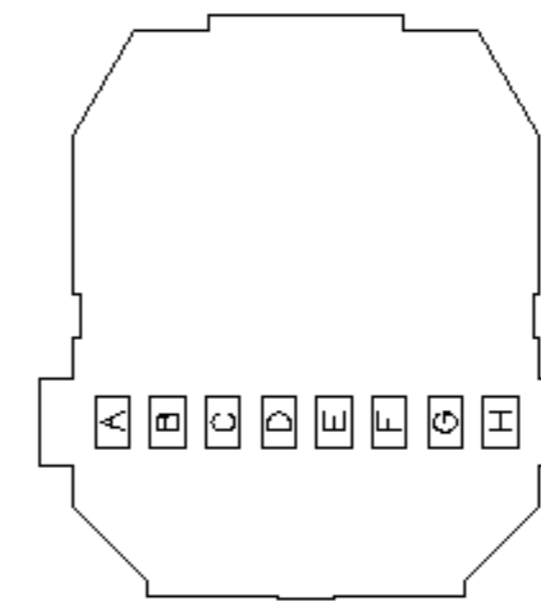
C255

ITEM NO: 3	
12146452 GRA MD	
PWR DISTR BLK	
CAV	WIRE
A	742
B	
C1	
C2	1317
C3	534
C4	
C6	150H
C7	341
C8	745
C9	275
D1	8E
D2	1255B
D3	24
D4	235
D5	29B
D6	
D7	156
D8	40
D9	234
E1	43
E2	1240
E3	1140
E4	1040
E5	1540
E6	243
F1	
F2	
F3	
F5	141
F6	17
G1	28
G2	
G3	640B
G4	39E
G5	150E
G6	540
G8	
H1	29A
H3	640C
H4	593
H6	592B
H7	
H8	
H9	
J1	
J2	
J3	
J4	
K1	
K2	
K3	
K4	



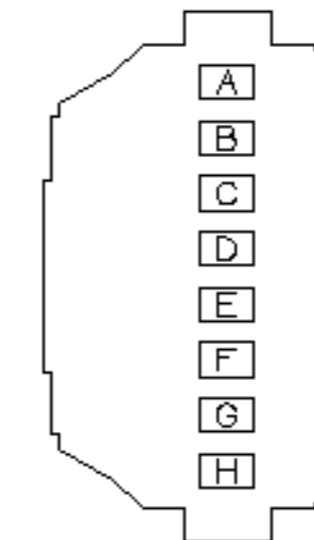
C721

ITEM NO: 45	
12065171 BLK	
INLINE-TO BODY BUILDER HARNESS	
CAV	WIRE
A	437



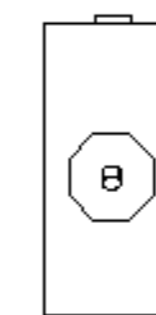
C257

ITEM NO: 2	
12015308 BLK	
DIODE NETWORK	
CAV	WIRE
A	
B	1134G
C	680
D	
E	33
F	867B
G	235
H	



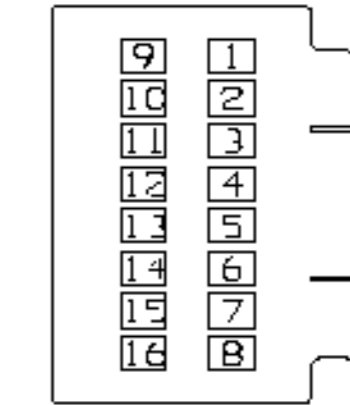
C258

ITEM NO: 9	
12015308 BLK	
MDL-DAYTIME RUNNING LP CONT	
CAV	WIRE
A	1134C
B	1317
C	39H
D	10B
E	11
F	629
G	592A
H	150C



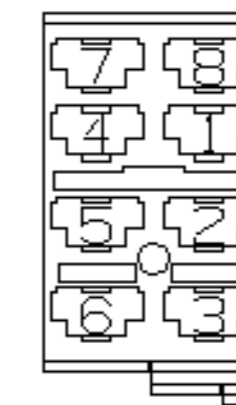
C249

SW-PARK BRK	
CAV	WIRE
A	1134B



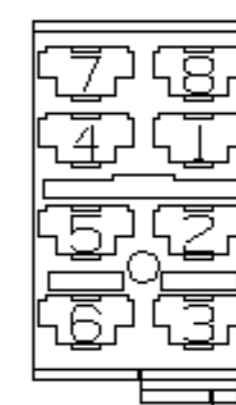
C261

ITEM NO: 12	
15340668 BLK	
CSTR-INST -2	
CAV	WIRE
1	
2	
3	636
4	8B
5	
6	39B
7	451
8	
9	14
10	15
11	629
12	9F
13	867C
14	1134E
15	33
16	234



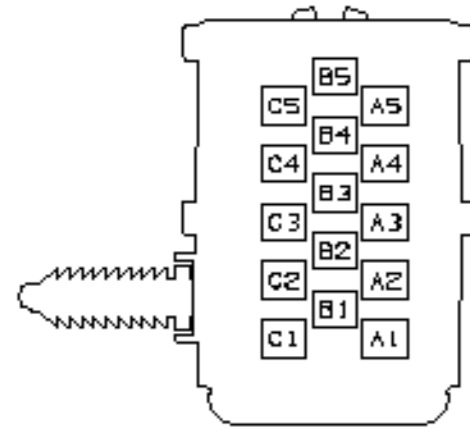
C710

ITEM NO: 32	
15394448 BLK	
SW OVERDRIVE SELECT	
CAV	WIRE
1	
2	2649B
3	2678A
4	
5	2649C
6	264B
7	150F
8	8F



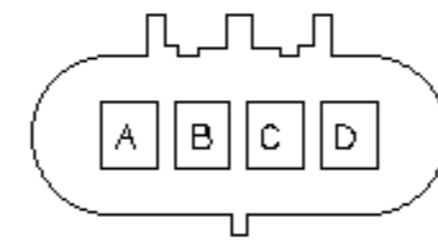
C712

ITEM NO: 42	
15394448 BLK	
SW GRADE BRAKE SELECT	
CAV	WIRE
1	
2	39F
3	2715C
4	
5	
6	
7	150G
8	8G



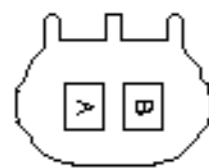
C400

ITEM NO: 1			
12161187 BLK			
INLINE-TO ENG HARN			
CAV	WIRE	WIRE	WIRE
A1	B82	B82A	B82B
A2	1589	1589A	1589B
A3	2759	2759A	2759B
A4	18	18A	18B
A5	B09	B09A	B09B
B1	20	20A	20B
B2	24	24A	24B
B3	1255A	1255D	1255E
B4	150K	150G	150H
B5	120A	120B	120C
C1	B83	B83A	B83B
C2	B84	B84A	B84B
C3	B85	B85A	B85B
C4	19	19A	19B
C5	609	609A	609B
SYMBOL	1	2	3



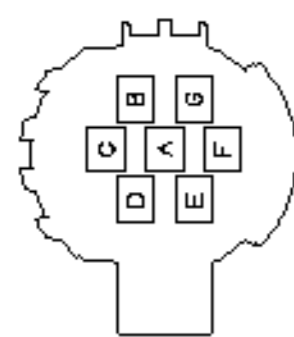
C405

ITEM NO: 15			
15326631 BLK			
CAV	WIRE	WIRE	WIRE
A	150E	150E	150E
B	1589	1589A	1589B
C	2759	2759A	2759B
D	120E	120E	120E
SYMBOL	1	2	3



C402

ITEM NO: 22	
15300002 BLK	
INLINE-TO BODY BUILDER HARN	
CAV	WIRE
A	1255B
B	150B



C403

ITEM NO: 10			
12110753 BLK			
INLINE-TO T/LP HARN			
CAV	WIRE	WIRE	WIRE
A	B09	B09A	B09B
B	18	18A	18B
C	19	19A	19B
D	150F	150F	150F
E	609	609A	609B
F	1255C	1255C	1255C
G	24	24A	24B
SYMBOL	1	2	3



C404

ITEM NO: 26			
15300002 BLK			
INLINE-TO T/LP HARN			
CAV	WIRE	WIRE	WIRE
A	12010300	12010300	12010300
B	20	20A	20B
SYMBOL	1	2	3



C708

ITEM NO: 954	
15339791 BLK	
INLINE-TO LHR WHEEL SENSOR	
CAV	WIRE
1	B85
2	B84
SYMBOL	1



C708

ITEM NO: 956	
15393190 BLK	
INLINE-TO LHR WHEEL SENSOR	
CAV	WIRE
1	B85A
2	B84A
SYMBOL	2



C708

ITEM NO: 957	
PG002988 BLK	
INLINE-TO LHR WHEEL SENSOR	
CAV	WIRE
1	B85B
2	B84B
SYMBOL	3



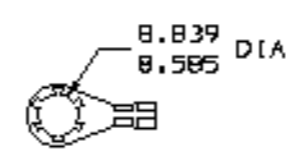
C709

ITEM NO: 955		
15393190 BLK		
INLINE TO RHR WHEEL SENSOR		
CAV	WIRE	WIRE
1	B83	B83A
2	B82	B82A
SYMBOL	1	2



C709

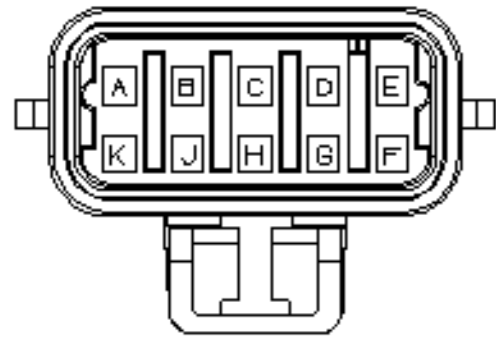
ITEM NO: 958	
15339791 BLK	
INLINE TO RHR WHEEL SENSOR	
CAV	WIRE
1	B83B
2	B82B
SYMBOL	3



WIRE
CHAS GND
150A

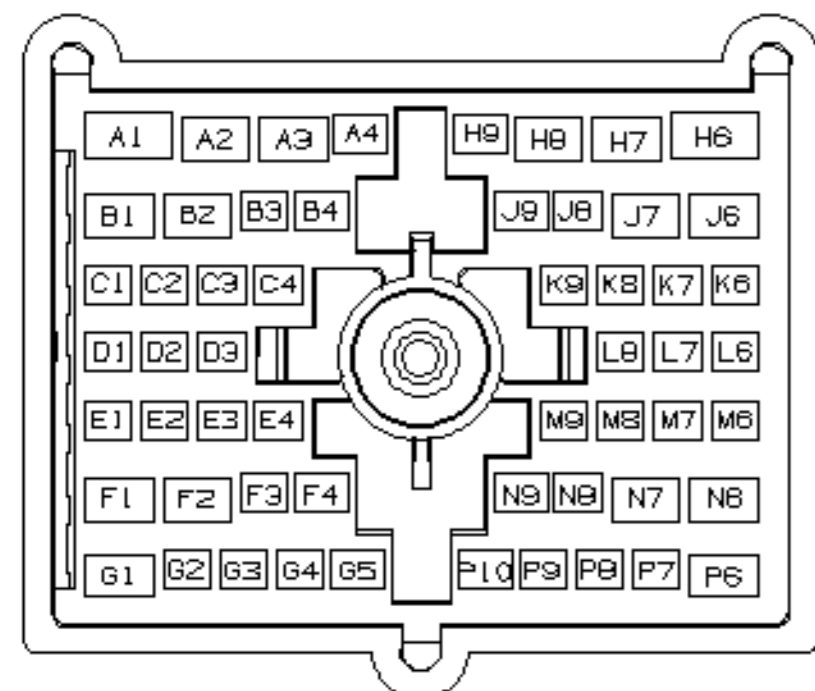
CONN ID
C203
DEVICE
SW-WSW/PRNDL
PART NUMBER
12065425

CAV	CIR #
A	D771
B	D773
C	D776
D	D772
F	D39M
K	D150H



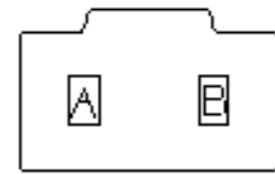
CONN ID
C240
DEVICE
INLINE TO I/P
PART NUMBER
12186731

CAV	CIR #
B2	D150A
D2	D867
F3	D1390
G4	D773
G5	D776
H9	D771
L6	D150C
L8	D772
M6	D39C
M8	D419
N9	D150E



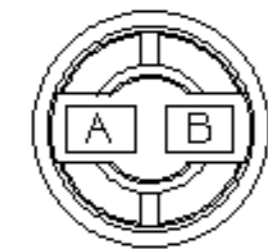
CONN ID
C272
DEVICE
FUSE DRIVEAWAY
PART NUMBER
12010105

CAV	CIR #
A	D1390
B	D39J



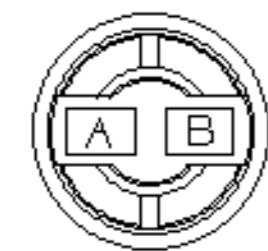
CONN ID
C275
DEVICE
LP-CHECK ENGINE
PART NUMBER
12004264

CAV	CIR #
A	D39A
B	D419



CONN ID
C276
DEVICE
LP-ANTILOCK
BRAKE
PART NUMBER
12004264

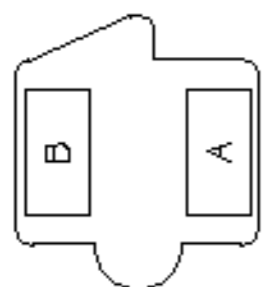
CAV	CIR #
A	D39B
B	D867



WORKHORSE CUSTOM CHASSIS

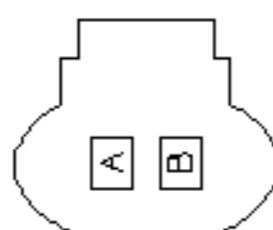
FORWARD LAMP

C313



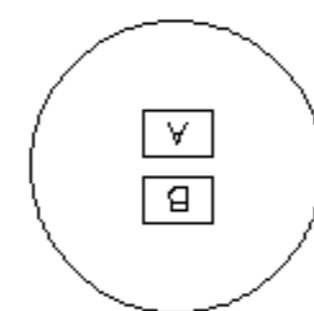
ITEM NO: 36		
06288472 NAT		
LP-HDLP -LH		
CAV	WIRE	WIRE
A	11H	11T
B	593E/593F	150X
SYMBOL	9	5

C303



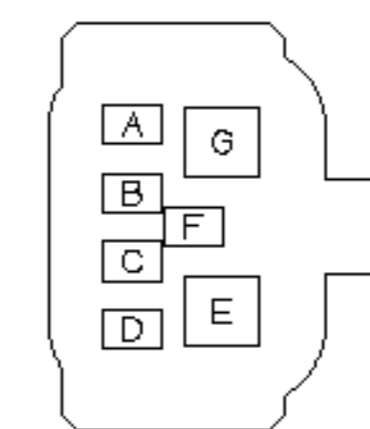
ITEM NO: 32	
12052644 GRA LT	
HORN-RH	
CAV	WIRE
A	150C
B	29C

C307



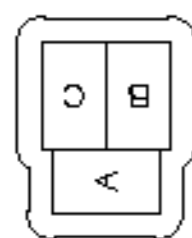
ITEM NO: 22	
12103178 BLK	
LP-SI MKR-RH	
CAV	WIRE
A	9E
B	15B

C300



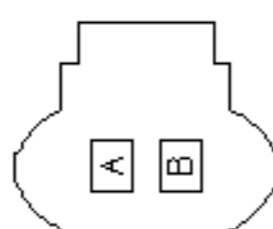
ITEM NO: 1						
12052200 BLK						
INLINE-TO ENG HARN						
CAV	WIRE	WIRE	WIRE	WIRE	WIRE	WIRE
A	9A	9A	9A	9A	9A	9A
B	12E	12E	12A	12A	12X	12X
C	14A	14A	14A	14A	14A	14A
D	593E	1205916B	1205916B	593	1205916B	593C
E	29A	29A	29A	29A	29A	29A
F	15A	15A	15A	15A	15A	15A
G	11G	11X	11A	11A	11S	11S
SYMBOL	9	5	1	2	3	4

C308



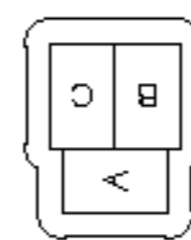
ITEM NO: 9		
02973386 BLK		
LP-HDLP -LH		
CAV	WIRE	WIRE
A	12G/12X	12G/12X
B	11N/11S	11N/11S
C	150L	593C
SYMBOL	3	4

C302

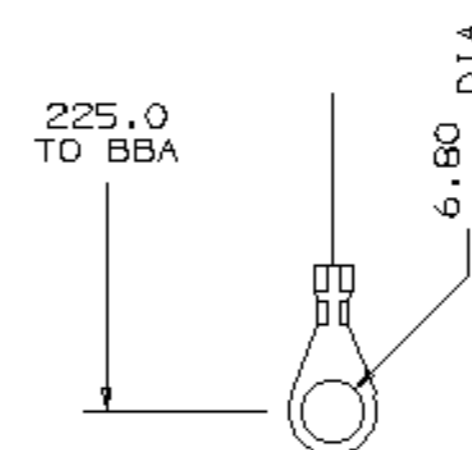


ITEM NO: 28	
12052644 GRA LT	
HORN-LH	
CAV	WIRE
A	150E
B	29B

C309

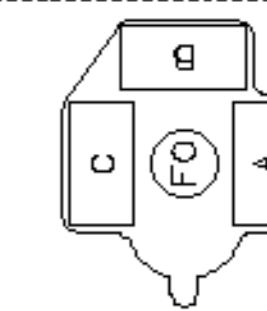


ITEM NO: 18	
02973386 BLK	
LP-HDLP-RH	
CAV	WIRE
A	12G
B	11N
C	150M
SYMBOL	3 4



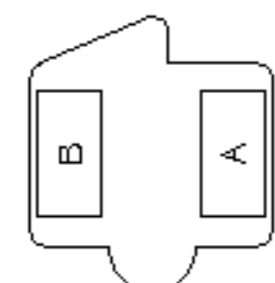
GND
WIRE
150G

C310/C312



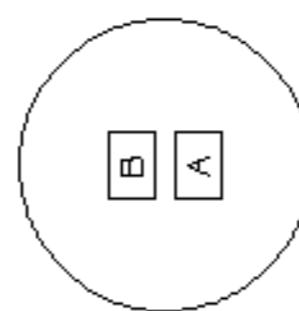
ITEM NO: 35				
06288471 NAT				
LP-HDLP -LH				
CAV	WIRE	WIRE	WIRE	WIRE
A	12E/12F	12E/12F	150Z	593
B	11AC/11AF	11B/11T	12A/12B	12A/12B
C	150AA	150K	11A/11C	11A/11C
FO				
SYMBOL	9	5	1	2

C315

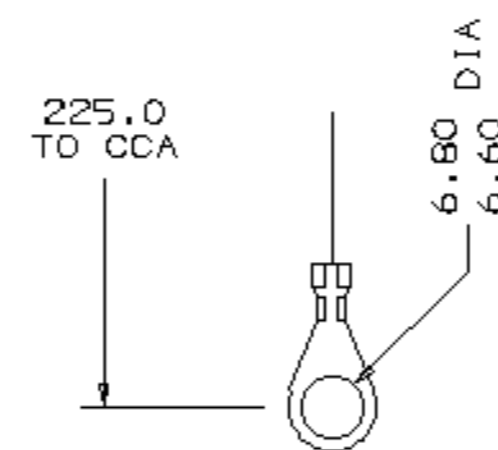


ITEM NO: 38		
06288472 NAT		
LP-HDLP -RH		
CAV	WIRE	WIRE
A	11J	11F
B	150N	150T
SYMBOL	9	5

C306

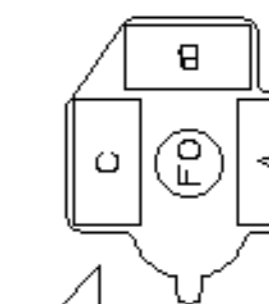


ITEM NO: 8	
12103178 BLK	
LP-SI MKR-LH	
CAV	WIRE
A	9B
B	14B

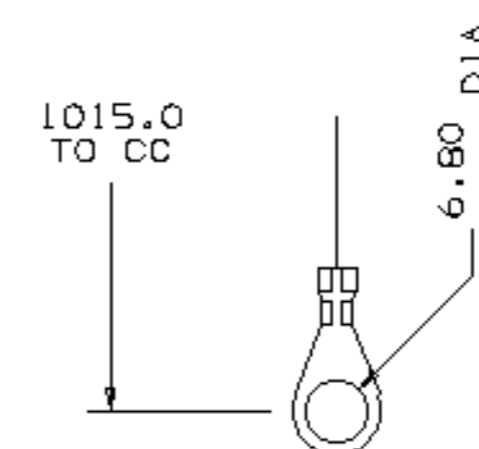


GND
WIRE
150H

C311/C314

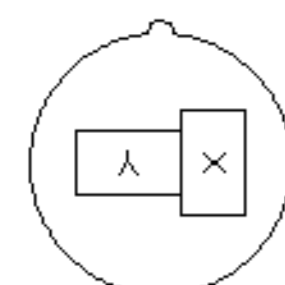


ITEM NO: 37			
06288471 NAT			
LP-HDLP -RH			
CAV	WIRE	WIRE	WIRE
A	12F	12F	150B
B	11AF	11E/11F	12B
C	150S	150Y	11C
FO			
SYMBOL	9	5	1 2



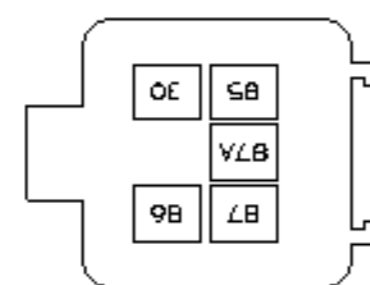
GND
WIRE
150A

C305



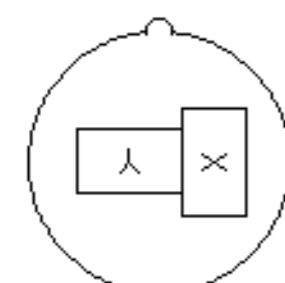
ITEM NO: 19	
02984855 BLK	
CAV	WIRE
X	15C
Y	9F
LP-PARK-RH	

C318



ITEM NO: 42	
12110539 BLK	
RLY-DAYTIME RUNNING LP	
CAV	WIRE
30	11K
B5	593F
B6	150F
B7A	11AC
B7	12010300
SYMBOL	9

C304

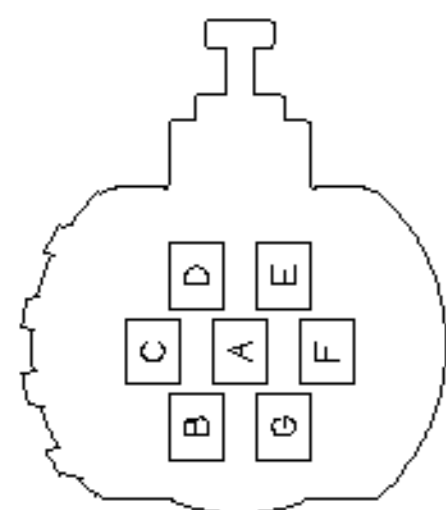


ITEM NO: 10	
02984855 BLK	
CAV	WIRE
X	14C
Y	9C
LP-PARK-LH	

REAR LAMP (-RHQ)

C500

ITEM NO:	1
12110751 BLK	
INLINE-TO CHAS HARN	
CAV	WIRE
A	912A
B	1B
C	19
D	150A
E	913A
F	914A
G	24A



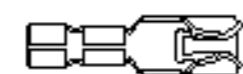
C506

WIRE
LP-S1 MKR-LH
912C



C506

WIRE
LP-S1 MKR-LH
150E



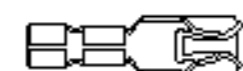
C507

WIRE
LP-S1 MKR-RH
913C



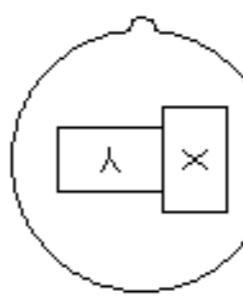
C507

WIRE
LP-S1 MKR-RH
150C



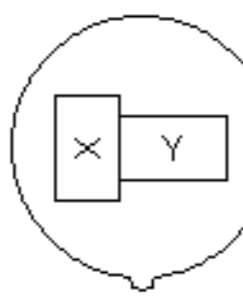
C508

ITEM NO:	6
02984855 BLK	
LP-TAIL STOP-LH	
CAV	WIRE
X	1B
Y	912B



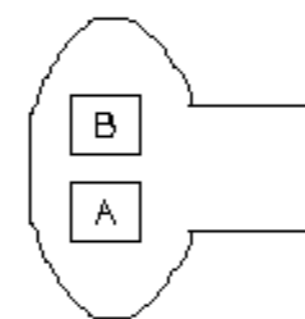
C509

ITEM NO:	11
02984855 BLK	
LP-TAIL, STOP-RH	
CAV	WIRE
X	19
Y	913B



C510

ITEM NO:	19
15300002 BLK	
INLINE-TO BODY	
BUILDER HARN	
CAV	WIRE
A	12010300
B	20



C501

ITEM NO:	22
15300027 BLK	
INLINE-TO CHAS HARN	
CAV	WIRE
A	12010300
B	20

C502

ITEM NO:	4
02977107 BLK	
LP-RR LIC	
CAV	WIRE
A	914C



C503

ITEM NO:	3
02977107 BLK	
LP-RR LIC	
CAV	WIRE
A	914B



C504

ITEM NO:	10
02977107 BLK	
LP-B/U	
CAV	WIRE
A	24B



C505

ITEM NO:	5
02977107 BLK	
LP-B/U	
CAV	WIRE
A	24C



WORKHORSE CUSTOM CHASSIS

