



TIP SHEET

Kwikee Step Identification and Replacement Parts Guide

© Copyright Power Gear Issued: February 2014

#82-ST0501, Rev. 0B

NOTE

This sheet is to assist in identifying the Kwikee step model # and part #, for steps built after late 2005 to present. It will also assist in determining replacement part numbers for each step component.

Table of Contents

Page 1-2: Introduction & Step ID Instructions

Page 3: Single Step Parts

Page 4-5: Double Step Parts

Page 6: Triple Step Parts

Page 6: IMGL Control Box

Page 7: IMGL Motors and Gearboxes

Page 8: Additional Reference Documents

STANDARD STEP IDENTIFICATION

To identify the standard step part number or series number, look for the Kwikee label under the step on the mounting surface that attaches to the coach. The label will show the part number of the step.

You may have to have the step extended to see the label. Below are a couple examples of different labels used on the steps.

EXAMPLE 1:



How to read the part number code:

(This only pertains to units built after February 1999)

SAMPLE: 90XX0Y000

XX = 2 Digit Series No.
Y = Time frame

If this 6th digit is a "6 thru 8", then that indicates it was built between early 1999, and late 2005 to early 2006.

CONTINUED ON PAGE 2

- This label shows the part #902806025.
- The 3rd and 4th digits of the part number indicate this is a 28 series step.
- The 6th digit indicates this step was built between 1999 and 2005.

We can confirm this time frame by the build date of October 17, 2003, shown in the upper right corner of the label.

- This step would **not** have originally had the IMGL components installed.

NOTE: The serial number cannot be used for identification.

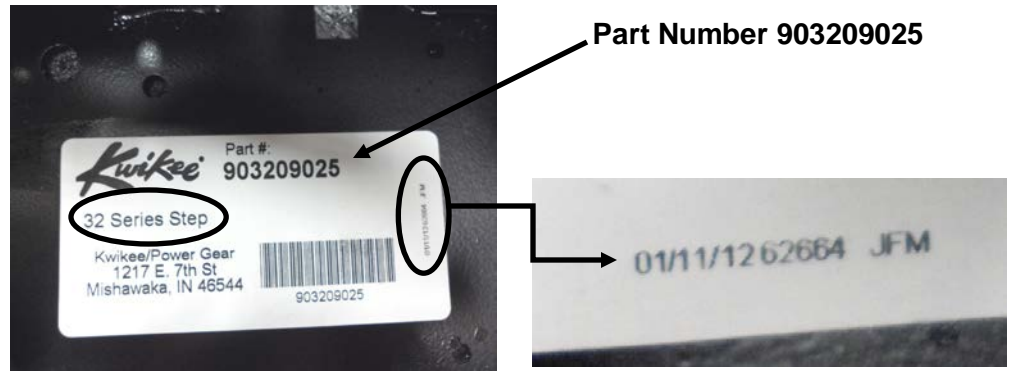


If this is a "9", then it indicates it is built after late 2005, and has the Integrated Motor Gear Linkage (IMGL) style motor, gearbox and control.

The IMGL control has a "triangular" shape at the end of the housing for mounting that can also assist in identification (see photo below).



EXAMPLE 2:



- This label shows the part #903209025.
- The 3rd and 4th digits of the part number indicate this is a 32 series step.
- It also shows the "32 Series Step" (circled) on the label.
- The 6th digit indicates this step was built after late 2005 and equipped with the IMGL parts.

We can confirm this time frame by the build date of 1/11/12 printed on the side of the label (see enlarged picture).

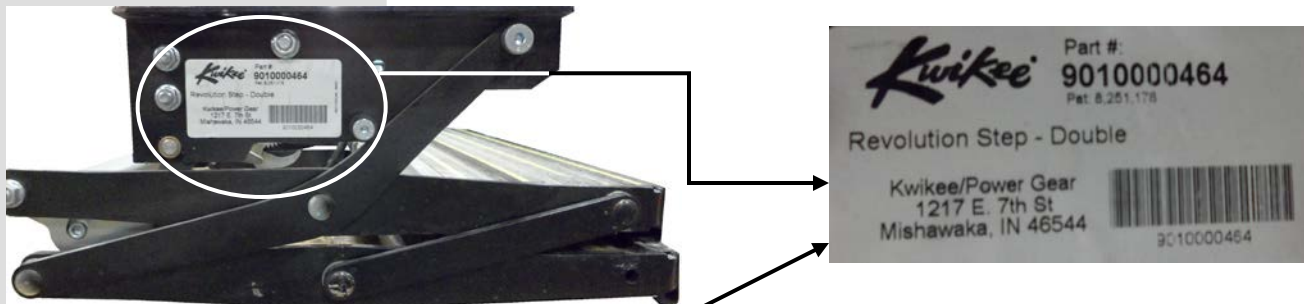
- This step part number will have the IMGL components installed.

SPECIAL STEP IDENTIFICATION

This information pertains to the Revolution and Platinum Series Steps.

- The Revolution Series and Platinum Series steps do not have a series part number as described above.
- These steps will have a part number only on the Kwikiee label.
- The label for the Revolution step will be located on the side of the step as shown below. The step is identified with this part number.
- The label for the Platinum (camless) step will be located under the step as described in the previous section.

EXAMPLE 3:



Part Number 9010000464 Revolution Step

Part Number 9010000220 Platinum Step



KWIKEE IMGL REPLACEMENT PARTS BY STEP SERIES OR PART NUMBER

SINGLE STEPS

SERIES OF STEP	PART NUMBER OF STEP	FRAME ONLY PART NUMBER	GEARBOX PART NUMBER	MOTOR PART NUMBER	STEP CONTROL BOX PART NUMBER
26	902609000	NOT AVAILABLE	1101427	1101428	909510000
	902609025				
28	902809000	908028000	1101426	1101428	909510000
	902809025				
29	THIS STEP IS OBSOLETE AND IS REPLACED BY A 39 SERIES STEP (903909025). THERE ARE NO PARTS AVAILABLE.				
30	903009000	NOT AVAILABLE	1101425	1101428	909510000
31	903109000	NOT AVAILABLE	1101426	1101428	909510000
	903109025				
33	903309000	NOT AVAILABLE	1101425	1101428	909510000
	903309025				
35	903509000	NOT AVAILABLE	1101425	1101428	909510000
	903509025				
36	903609000	908036000	1101425	1101428	909510000
	903609025				
37	903709025	NOT AVAILABLE	1101426	1101428	909510000
38	903809000	NOT AVAILABLE	1101425	1101428	909510000
	903809025				
39	903909000	NOT AVAILABLE	1101426	1101428	909510000
	903909025				
REVOLUTION	9010000465	9010000681	NOT AVAILABLE	1010002326	1510000172 HAS MOTOR PLUG 1510000140 HARD WIRED TO CONTROL

KWIKEE IMGL REPLACEMENT PARTS BY STEP SERIES OR PART NUMBER

DOUBLE STEPS

SERIES OF STEP	PART NUMBER OF STEP	FRAME ONLY PART NUMBER	GEARBOX PART NUMBER	MOTOR PART NUMBER	STEP CONTROL PART NUMBER
22	902209000	NOT AVAILABLE	1101425	1101428	909510000
	902209025				
27	THIS STEP IS OBSOLETE AND IS REPLACED BY A 40 SERIES STEP (904009025). THERE ARE NO PARTS AVAILABLE.				
32	903209000	908032000	1101425	1101428	909510000
	903209025				
	903209100				
	903211000				
34	903409000	908034000	1101425	1101428	909510000
	903409025				
	903409100				
40	904009000	NOT AVAILABLE	1101425	1101428	909510000
	904009025				
41	904100900	NOT AVAILABLE	1101425	1101428	909510000
	904109000				
42	904200900	CONTACT POWER GEAR	NOT APPLICABLE	1820124	909510000
	904209000				
	904209003				
	904209025				
	904239000				
	904209090				
	904239090				
47	904709000	CONTACT POWER GEAR	NOT APPLICABLE	1820124	909510000
	904709010				

KWIKEE IMGL REPLACEMENT PARTS BY STEP SERIES OR PART NUMBER

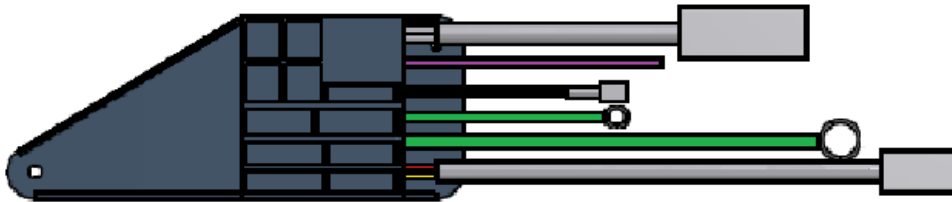
DOUBLE STEPS CONTINUED

SERIES OF STEP	PART NUMBER OF STEP	FRAME ONLY PART NUMBER	GEARBOX PART NUMBER	MOTOR PART NUMBER	STEP CONTROL PART NUMBER
47	904711010	CONTACT POWER GEAR	NOT APPLICABLE	1820124	909510000
	904739000				
PLATINUM	9010000220	1010000824	1101425	1101428	1510000140
REVOLUTION	9010000464	9010000675	NOT APPLICABLE	1010002326	1510000172 HAS MOTOR PLUG 1510000140 HARD WIRED TO CONTROL

KWIKEE IMGL REPLACEMENT PARTS BY STEP SERIES OR PART NUMBER

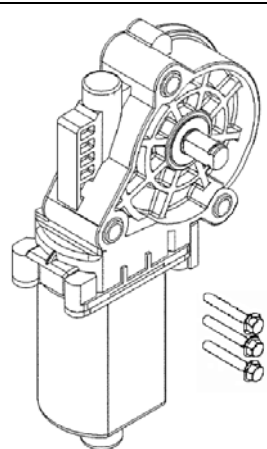
TRIPLE STEPS

SERIES OF STEP	PART NUMBER OF STEP	FRAME ONLY PART NUMBER	GEARBOX PART NUMBER	MOTOR PART NUMBER	STEP CONTROL PART NUMBER
23	902300900	NOT AVAILABLE	1101425	1101428	909510000
	902309000				
	902309025				
24	902400900	908024000	NOT APPLICABLE	1820124	1510000158
	902409000				
	902409025				
25	902509000 – 8” RISE	908025000 – 8” RISE	NOT APPLICABLE	1820124	1510000158
	902509007 – 7” RISE	NOT AVAILABLE			
	902509025 – 8” RISE	908025000 – 8” RISE			
	902509100	NOT AVAILABLE			
44	904409000	NOT AVAILABLE	NOT APPLICABLE	1820124	NOT AVAILABLE
REVOLUTION	901000462	9010000696	NOT APPLICABLE	1010002326	1510000172 HAS MOTOR PLUG 1510000140 HARD WIRED TO CONTROL



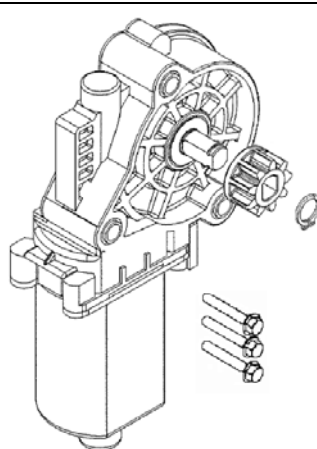
Control Box Part Number 909510000, 1510000158 and 1510000172.

The Control Box Part Number 1510000140 does not use the motor plug; it is hard wired from control box to the motor wire.



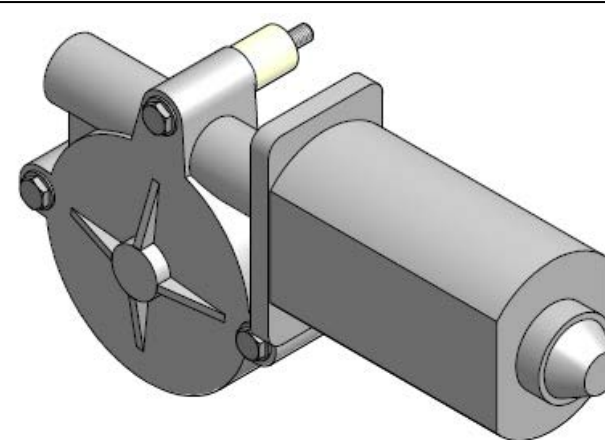
Motor Part Number 1101428.

Screws Not Available Separately.



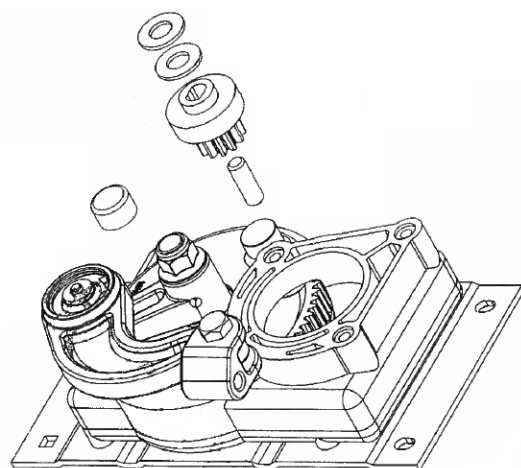
Motor Part Number 1820124.

Screws and Gear Not Available Separately.



Motor Kit Part Number 1010002326.

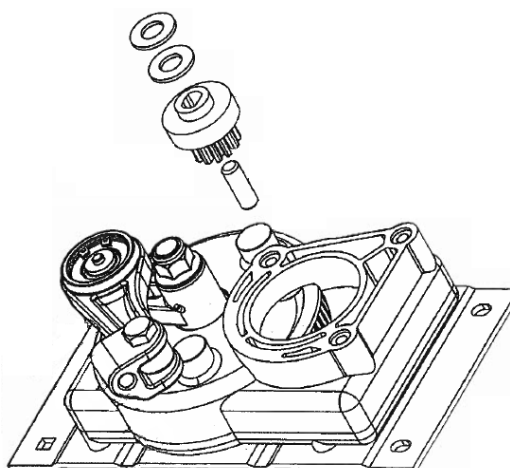
Screws and Gear Not Available Separately.



"A" STYLE LINKAGE ARM

Gearbox Part Number 1101425.

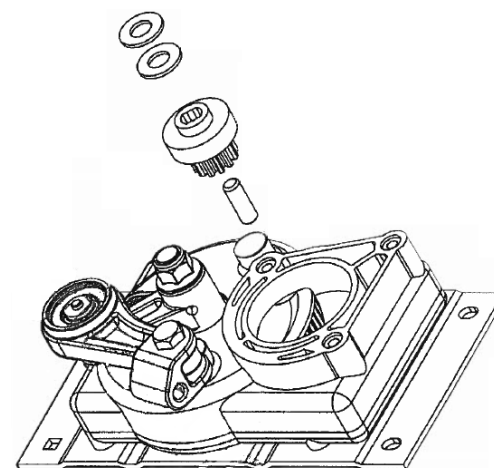
Gear and Washers Are Not Available Separately.



"B" STYLE LINKAGE ARM

Gearbox Part Number 1101426.

Gear and Washers Are Not Available Separately.



"C" STYLE LINKAGE ARM

Gearbox Part Number 1101427.

Gear and Washers Are Not Available Separately.

Additional Reference Publications Located At WWW.LCI1.COM

DOCUMENT NUMBER	DESCRIPTION
842A	42 SERIES OWNERS MANUAL
888	STEP OWNERS MANUAL
3010001949	PLATINUM SERIES OWNERS MANUAL
3010002262	REVOLUTION SERIES OWNERS MANUAL
82-ST0500	KWIKEE STEP CONTROL TESTING PROCEDURES FOR CONTROL PART NUMBERS 909510000, 1510000140, 1510000158, 1510000172
82-ST0502	STEP MOTOR REPLACEMENT INSTRUCTIONS FOR REVOLUTION SERIES STEPS
1420994	INSTRUCTIONS FOR USING THE KWIK TEST TESTER PART NUMBER 909518000
1421330	DOOR SWITCH INSTALLATION AND IDENTIFICATION GUIDE
1420215	KWIKEE STEP REPAIR KIT IDENTIFICATION AND INSTRUCTIONS