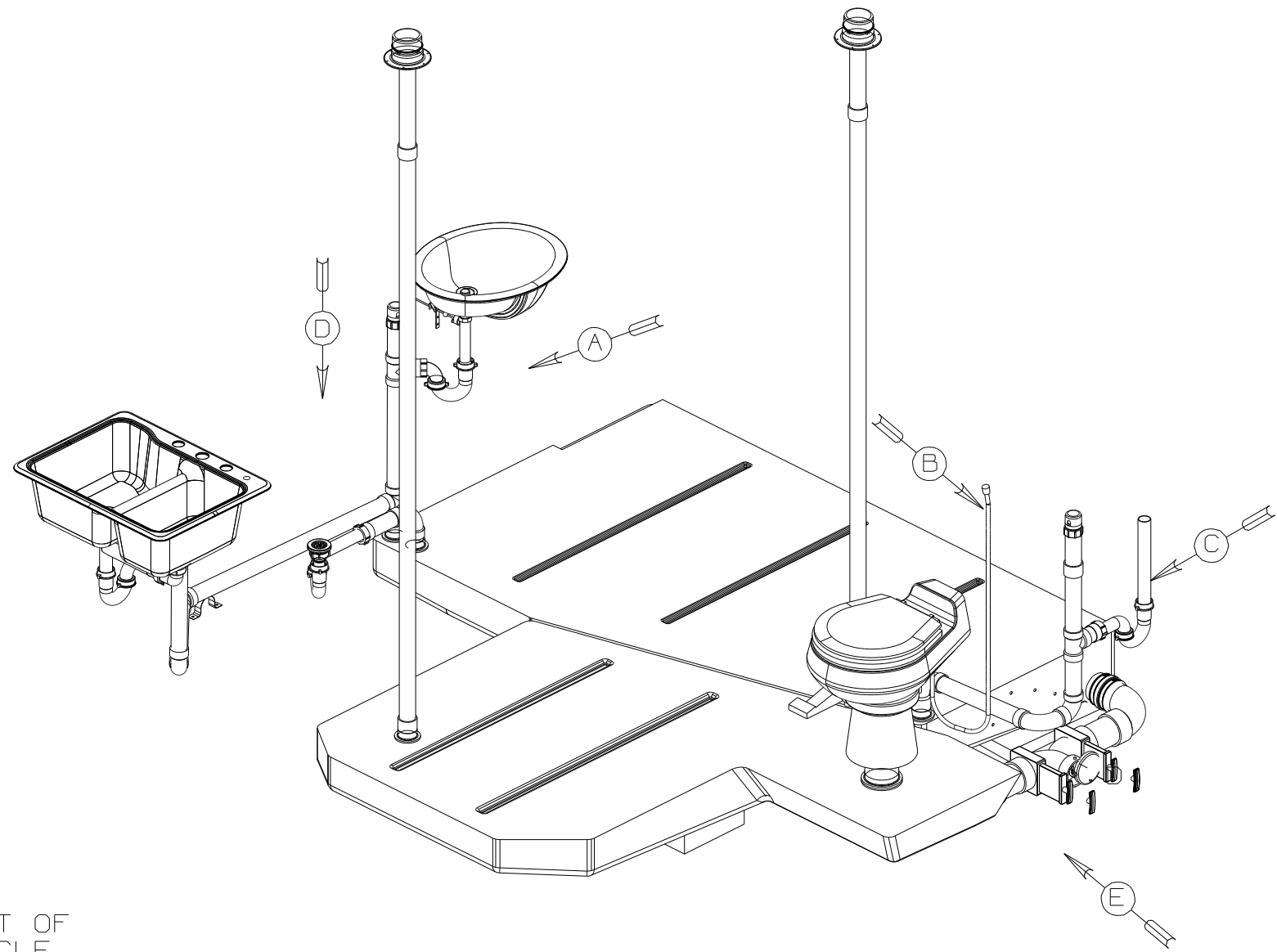


DWG NO	----
149851-01	(WIN) (43E)
149851-02	(ITA) (430)

RELEASE	REV DATE	DWG NO
A		149851
REV ZONE	REVISION RECORD	DATE
		DFTR-ORIG



FRONT OF VEHICLE

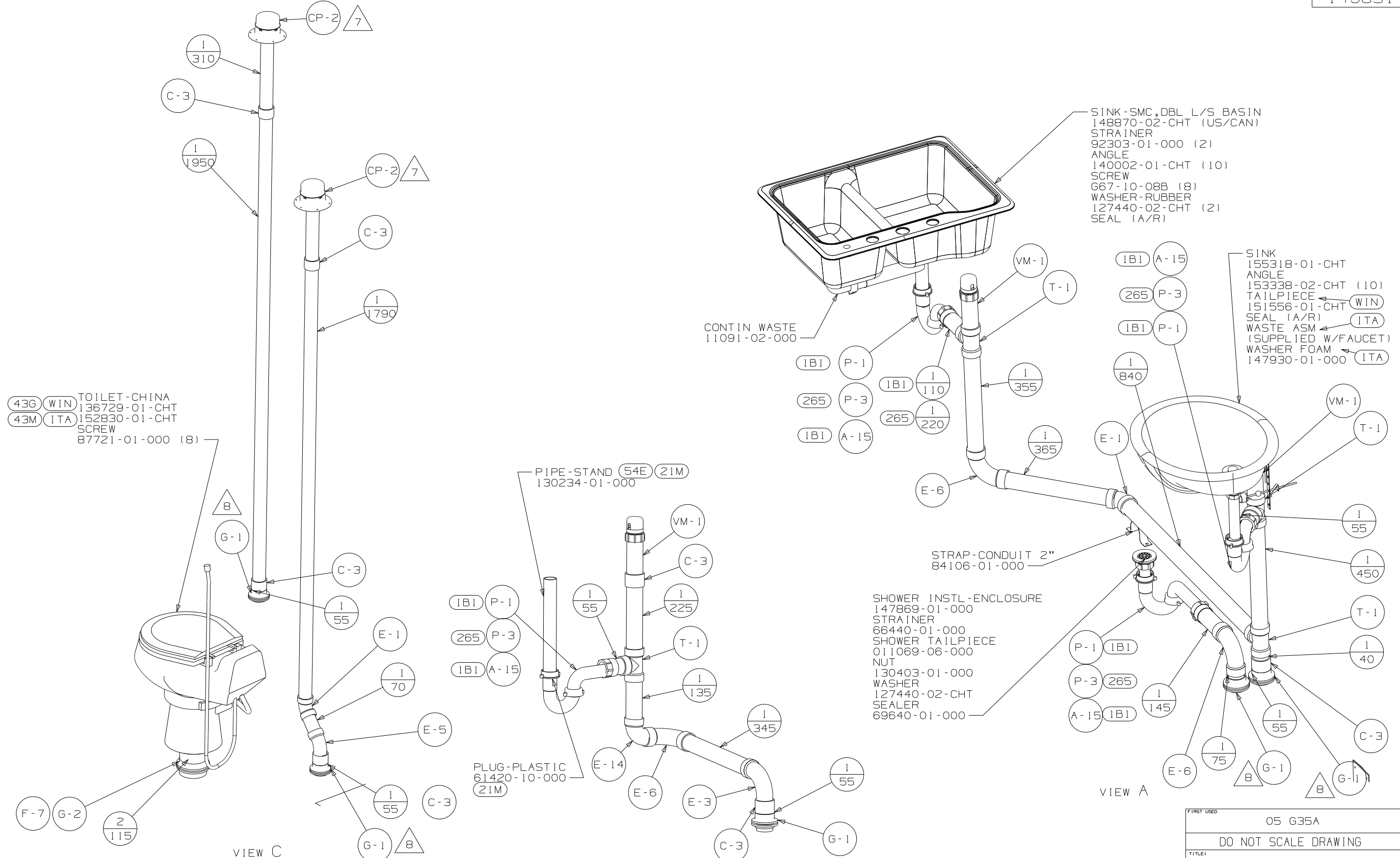
- (WIN) WINNEBAGO ONLY
- (ITA) ITASCA ONLY
- (21M) WASHER/DRYER PREP
- (265) CODES/STANDARDS-CSA/CMVSS
- (1B1) CODES/STANDARDS-USA
- (430) TOILET-PORCELAIN
- (43M) TOILET-PORCELAIN ELONGATED

- 8 SECURE VENT TUBES TO FLOOR WITH BRACKET 136878-01-CHT (3) CLAMP 62401-02-000 (3), SCREW G67-10-12B (3).
- 7 VENT PIPE MUST PROJECT 51 MIN AND 64 MAX ABOVE ROOF FOR PROPER FIT AND FUNCTION.
6. ROF CANADIAN UNITS EACH HOLDING TANK SHALL HAVE A CSA APPROVAL STAMPED NEAR THE IAMPO APPROVAL.
5. SEAL AROUND SHOWER WITH SILICONE.
4. ALL EXTERIOR OPENINGS AROUND PIPE TO BE SEALED WITH 100744-01-000.
3. ALL PIPE AND FITTINGS TO BE ASSEMBLED WITH SOLVENT 4020-01-000 (US), 4020-02-000 (CAN)..
2. SLOPE OF TRAP ARM MUST BE 6 PER 305 mm.
1. SLOPE OF HORIZONTAL PIPING TO BE 6 PER 305 mm.

NOTES:

(X-X) FOR DRAINAGE CALLOUTS SEE DWG NO. 116229-01-000

WINNEBAGO		COPYRIGHT 2005 WINNEBAGO INDUSTRIES, INC.	
DFTR	ORIG. DATE	ALL DIMENSIONS ARE IN MILLIMETERS	
CHKR		FIRST USED	
P.E.		05 G35A	
M.E.		UNSPECIFIED TOLERANCES ARE:	
DSNR		MATERIAL:	
		WHOLE DIM (X)	: 5
		ONE-PLACE (X.X)	:
		TWO-PLACE (X.XX)	:
		ANGLE	:
THIRD ANGLE PROJECTION		DO NOT SCALE DRAWING	
		TITLE: DRAINAGE SYSTEM INSTL	
SHEET 1 OF 3		PART NO 149851	



43G WIN TOILET-CHINA
136729-01-CHT
43M ITA 152830-01-CHT
SCREW
87721-01-000 (8)

SINK-SMC, DBL L/S BASIN
148870-02-CHT (US/CAN)
STRAINER
92303-01-000 (2)
ANGLE
140002-01-CHT (10)
SCREW
G67-10-08B (8)
WASHER-RUBBER
127440-02-CHT (2)
SEAL (A/R)

SINK
155318-01-CHT
ANGLE
153338-02-CHT (10)
TAILPIECE
151556-01-CHT WIN
SEAL (A/R) ITA
WASTE ASM (SUPPLIED W/FAUCET)
WASHER FOAM ITA
147930-01-000

SHOWER INSTL-ENCLOSURE
147869-01-000
STRAINER
66440-01-000
SHOWER TAILPIECE
011069-06-000
NUT
130403-01-000
WASHER
127440-02-CHT
SEALER
69640-01-000

PIPE-STAND 54E 21M
130234-01-000

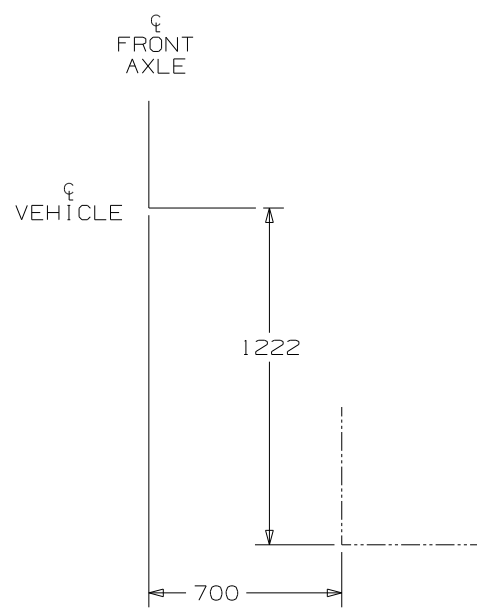
PLUG-PLASTIC
61420-10-000
(21M)

VIEW A

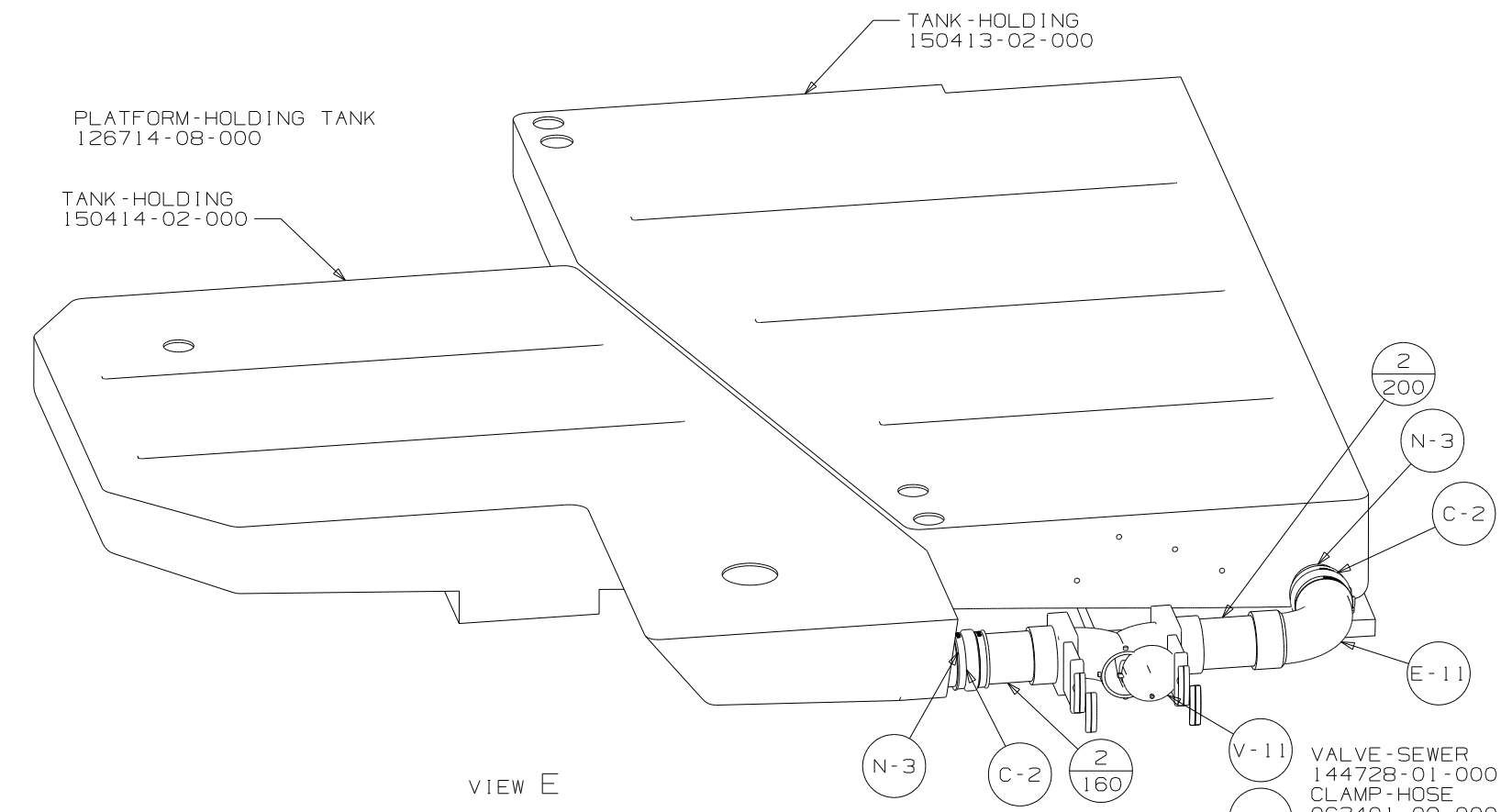
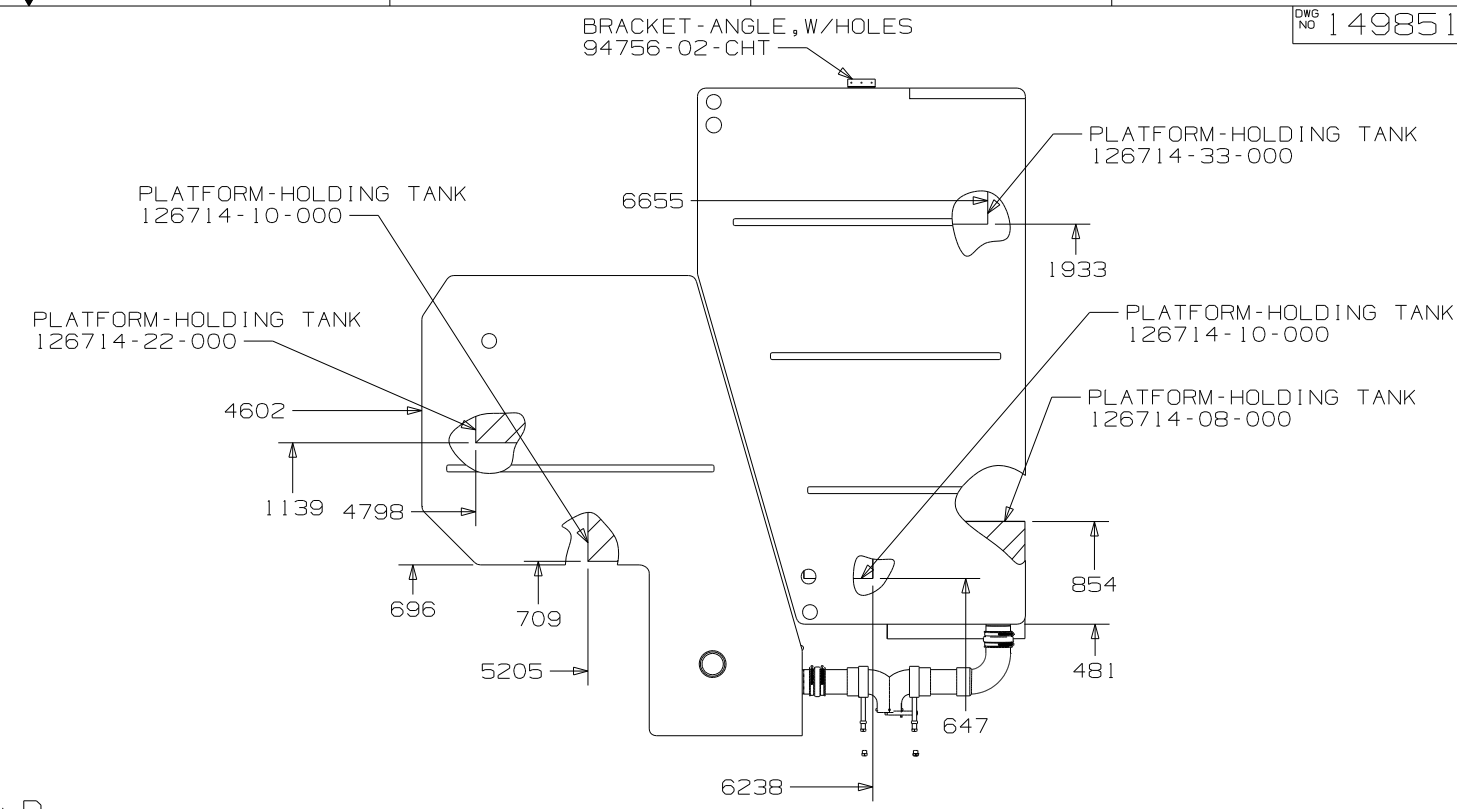
VIEW C

VIEW B
(SHOWER PAN REMOVED)

FIRST USED	05 G35A
DO NOT SCALE DRAWING	
TITLE	DRAINAGE SYSTEM INSTL
SHEET 2	PART NO 149851



VIEW D

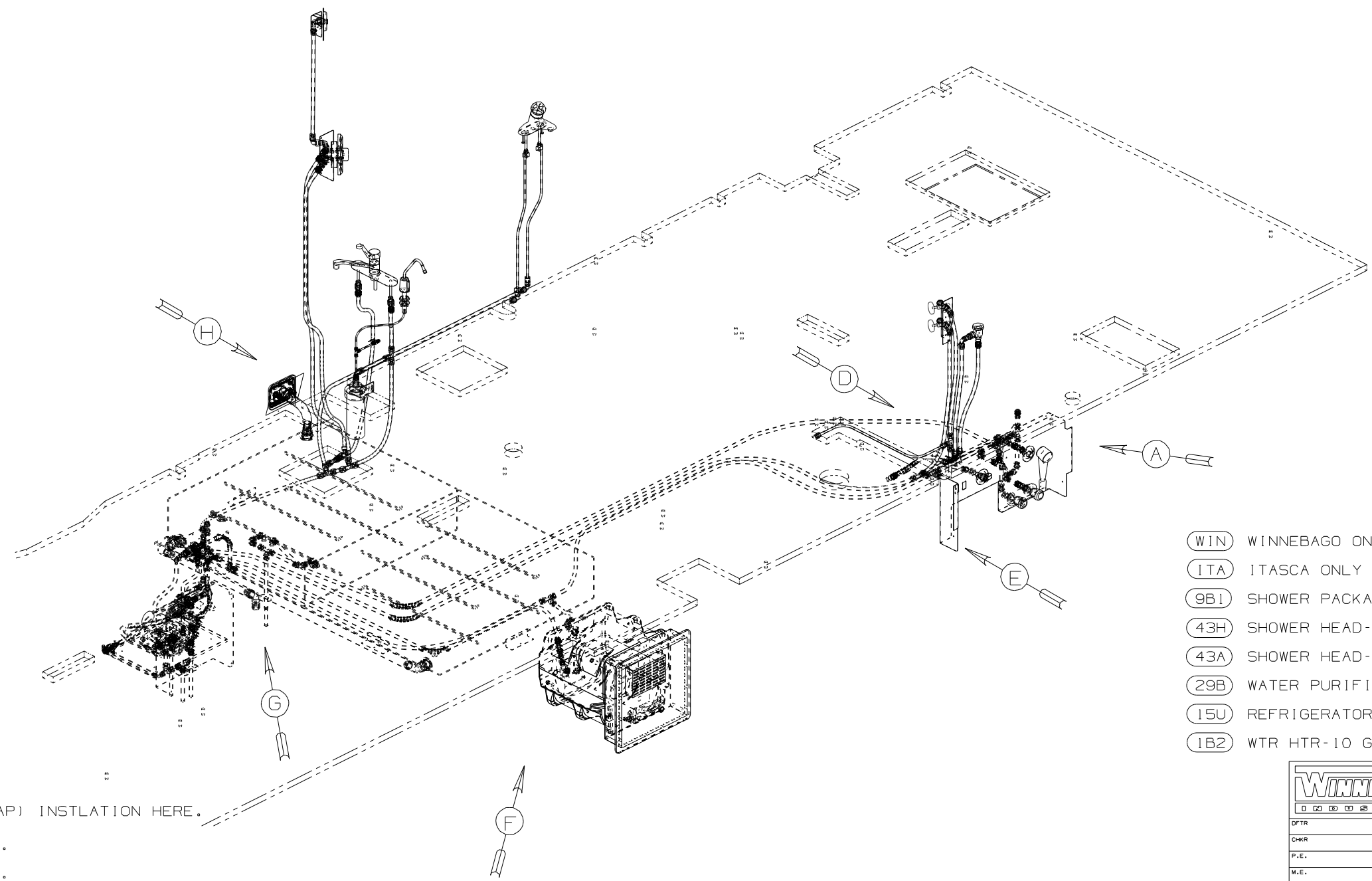


VIEW E

FIRST USED	05 G35A
DO NOT SCALE DRAWING	
TITLE	DRAINAGE SYSTEM INSTL
SHEET 3	PART NO 149851

DWG NO	----
149860-01	(WIN)
149860-02	(ITA)

RELEASE	REV DATE	DWG NO
A		149860
REV ZONE	REVISION RECORD	DATE DFR-ORIG



- (WIN) WINNEBAGO ONLY
- (ITA) ITASCA ONLY
- (9B1) SHOWER PACKAGE
- (43H) SHOWER HEAD-HAND HELD
- (43A) SHOWER HEAD-FIXED
- (29B) WATER PURIFIER
- (15U) REFRIGERATOR/FRZR W/ICEMAKER
- (IB2) WTR HTR-10 GAL/ELEC/LP/MTR AID

- NOTES:
7. ADD PIPE WRAP (LADDER SCRAP) INSTLATION HERE.
 6. ADD TEFLON TAPE 10405-01-000.
 5. ADD TEFLON TAPE 10405-02-000.
 4. FLUSHING SYSTEM REQUIRES 125697-06-000 INSTRUCTION SHEET.
 3. ALL TUBING TO BE SECURED AT 1200 INTERVALS MAXIMUM WITH CLAMP 10495-01-000 OR CLIP 9151-01-000 AND SCREW G67-10-12B.
 2. TUBING TO BE INSTALLED WITH SUFFICIENT SLOPE TO PROVIDE DRAINAGE TO NEAREST VALVE.
 1. PLASTIC FITTINGS TO BE SEALED WITH SEALANT 84456-01-000.

WINNEBAGO		COPYRIGHT 2005 WINNEBAGO INDUSTRIES, INC.	
DFTR	ORIG. DATE	ALL DIMENSIONS ARE IN MILLIMETERS	
CHKR		FIRST USED	
P.E.		05 G35A	
M.E.		UNSPECIFIED TOLERANCES ARE:	
DSNR		MATERIAL:	
		WHOLE DIM (X) :	7
		ONE-PLACE (X.X) :	
		TWO-PLACE (X.XX) :	
		ANGLE :	
THIRD ANGLE PROJECTION		DO NOT SCALE DRAWING	
TITLE: WATER SYSTEM INSTL			
SHEET 1 OF 4		PART NO 149860	

(X-X)
FOR
WATER
CALLOUTS
SEE DWG NO
116230-01-000

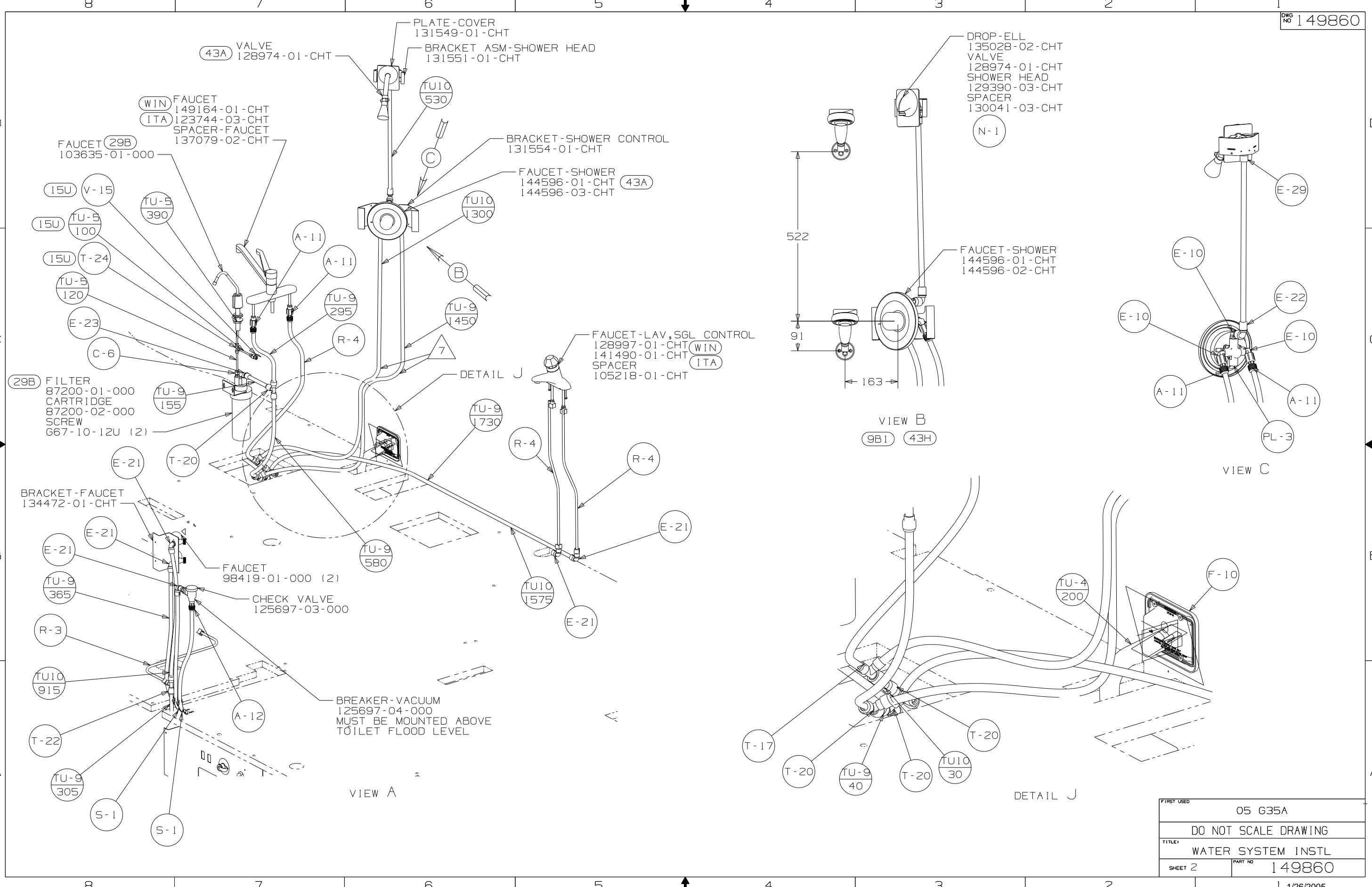


PLATE-COVER
131549-01-CHT
BRACKET ASM-SHOWER HEAD
131551-01-CHT
VALVE
43A 128974-01-CHT

FAUCET
WIN 149164-01-CHT
ITA 123744-03-CHT
SPACER-FAUCET
137079-02-CHT
FAUCET (29B)
103635-01-000

BRACKET-SHOWER CONTROL
131554-01-CHT
FAUCET-SHOWER
43A 144596-01-CHT
144596-03-CHT

FAUCET-LAV, SGL CONTROL
WIN 128997-01-CHT
ITA 141490-01-CHT
SPACER
105218-01-CHT

DROP-ELL
135028-02-CHT
VALVE
128974-01-CHT
SHOWER HEAD
129390-03-CHT
SPACER
130041-03-CHT
N-1

FAUCET-SHOWER
144596-01-CHT
144596-02-CHT

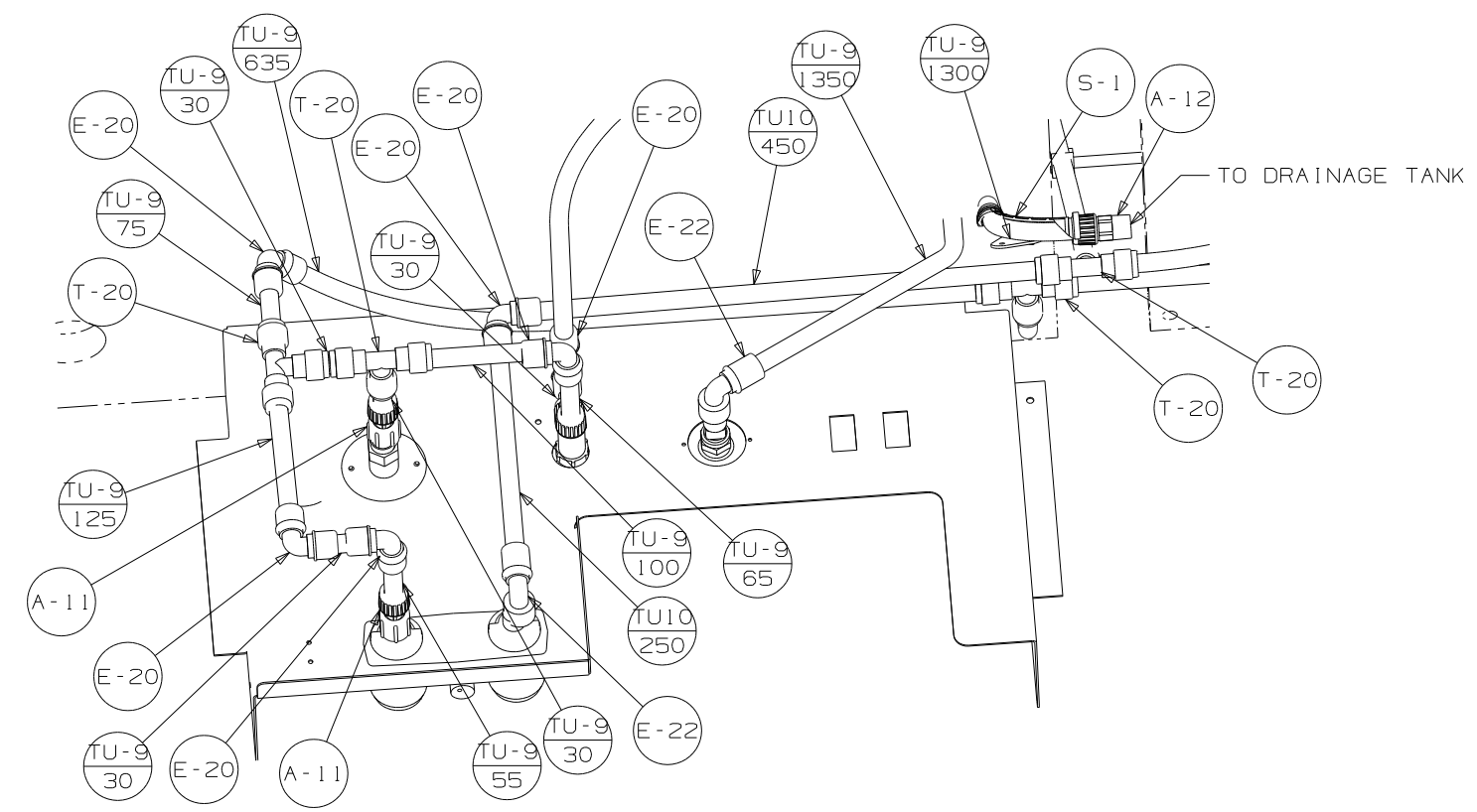
(29B) FILTER
87200-01-000
CARTRIDGE
87200-02-000
SCREW
G67-10-12U (2)

BRACKET-FAUCET
134472-01-CHT

FAUCET
98419-01-000 (2)
CHECK VALVE
125697-03-000

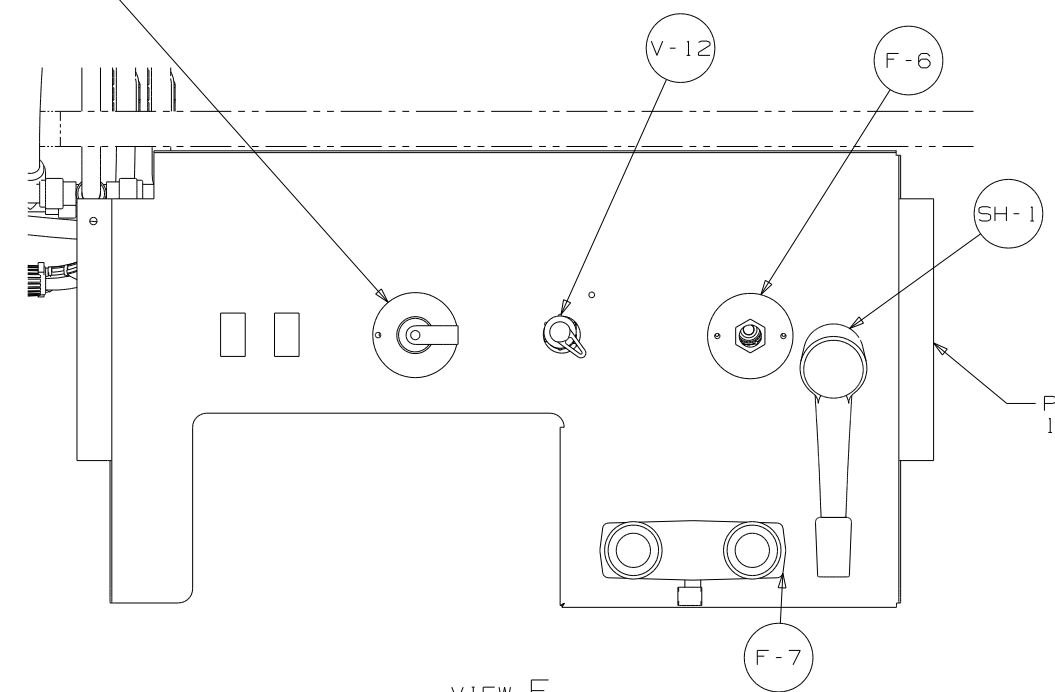
BREAKER-VACUUM
125697-04-000
MUST BE MOUNTED ABOVE
TOILET FLOOD LEVEL

FIRST USED	05 G35A
TITLE	DO NOT SCALE DRAWING
	WATER SYSTEM INSTL
SHEET 2	PART NO 149860



VIEW D

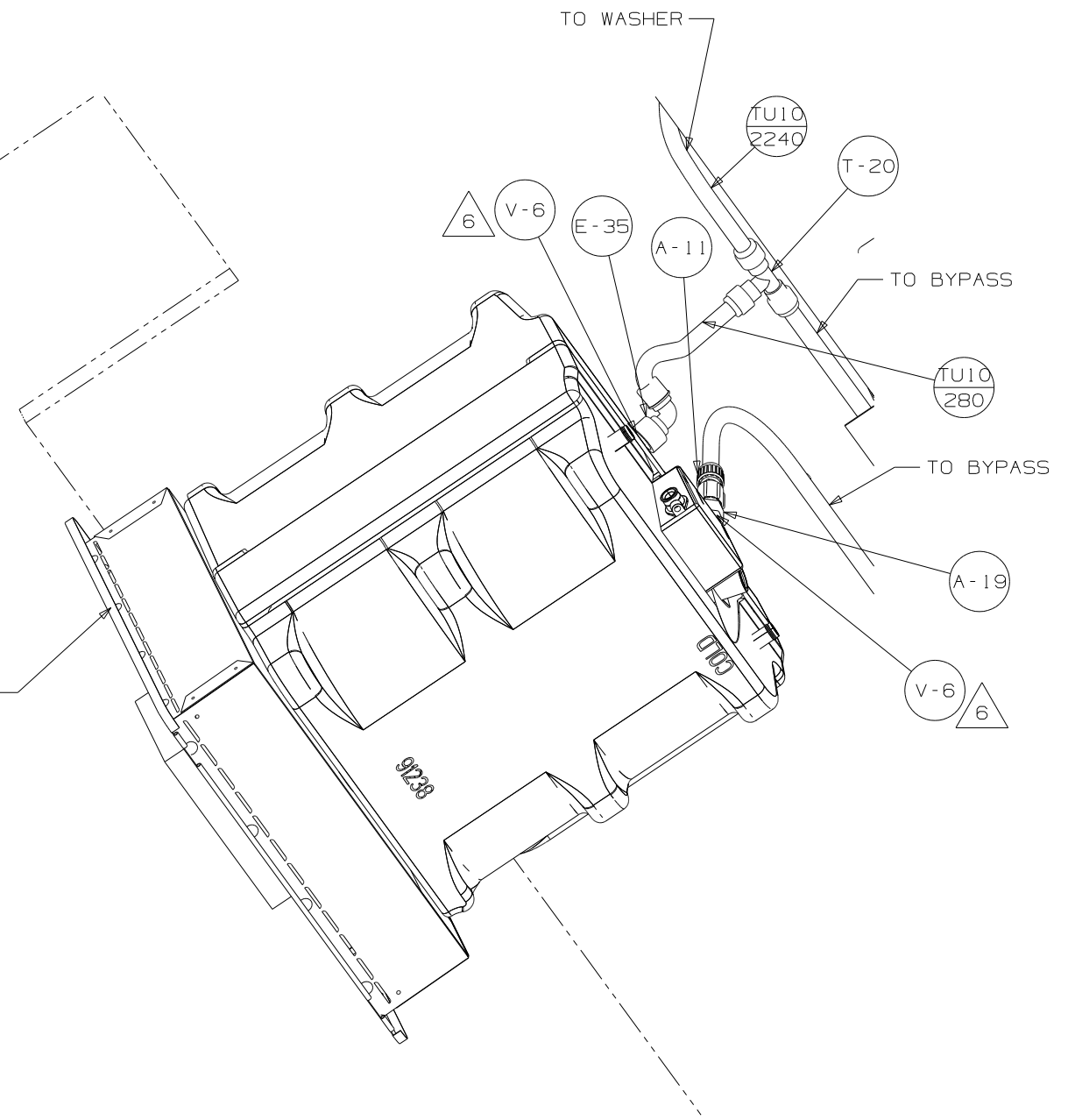
INLET-WATER, FLUSHING SYSTEM
125697-05-000



VIEW E

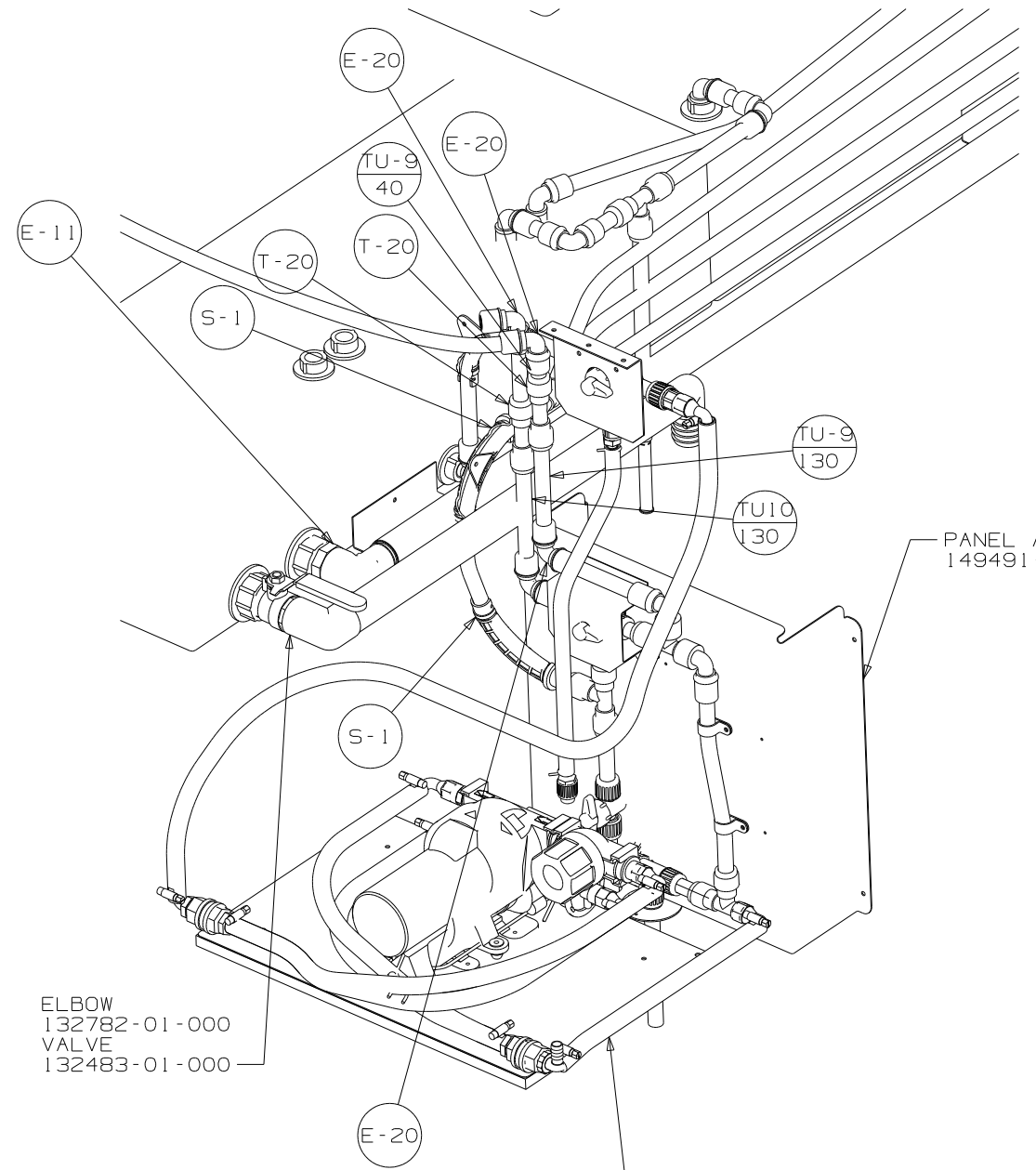
PANEL-SERVICE CENTER
136034-11-CHT

WATER HEATER
145541-01-000
DOOR
125420-03-CHT
BUMPER INSTL
146507-01-000

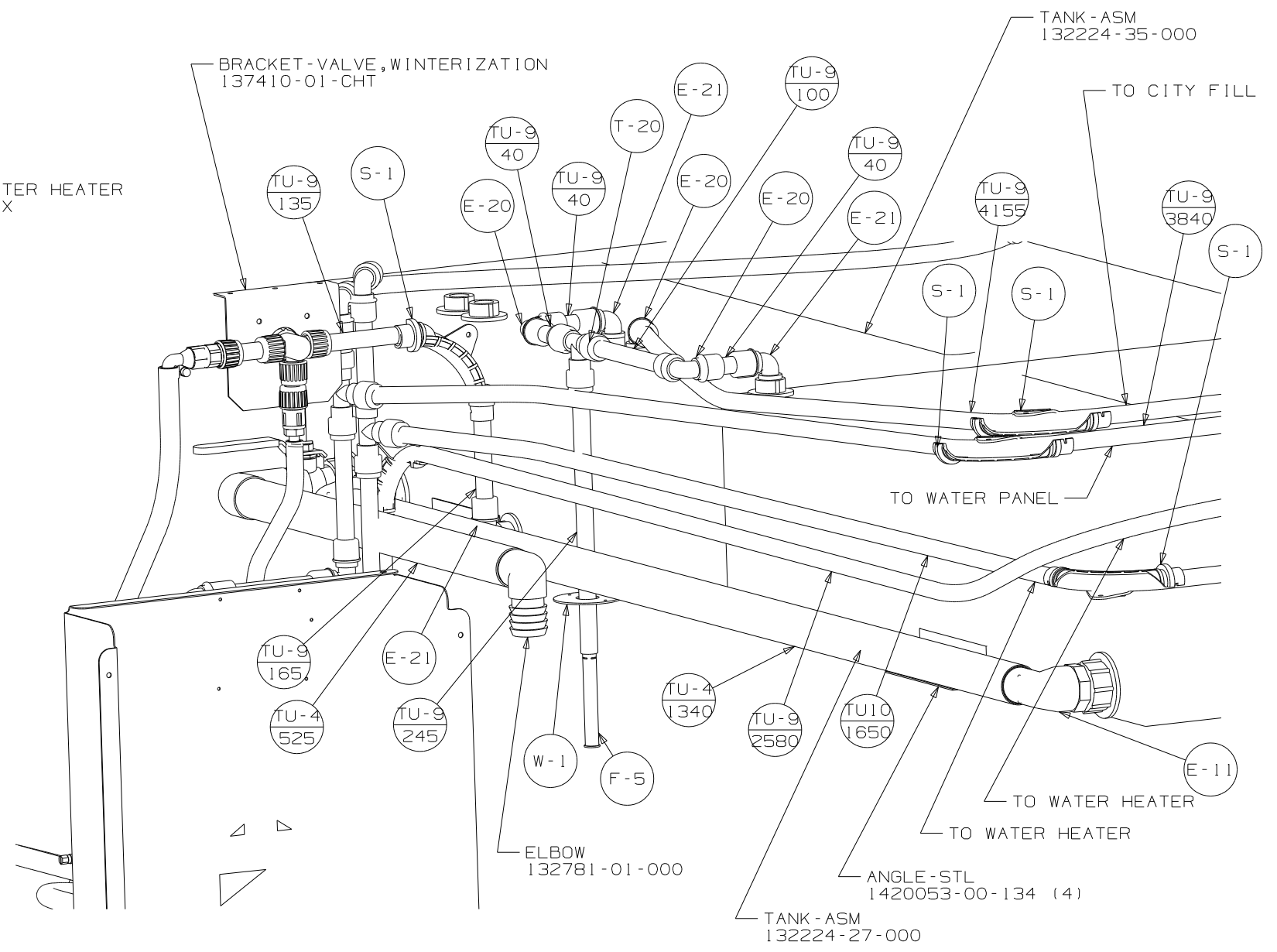


VIEW F

FIRST USED	05 G35A
TITLE:	DO NOT SCALE DRAWING
	WATER SYSTEM INSTL
SHEET 3	PART NO 149860



PANEL ASM-WATER PUMP
 149476-01-XXX (WIN)
 149476-02-XXX (ITA)



VIEW H
 SHOWN W/O FLOOR

FIRST USED	05 G35A
DO NOT SCALE DRAWING	
TITLE	WATER SYSTEM INSTL
SHEET 4	PART NO 149860